

Q1.Energy resources can be renewable or non-renewable.

(a) Coal is a non-renewable energy resource.

Name **two** other non-renewable energy resources.

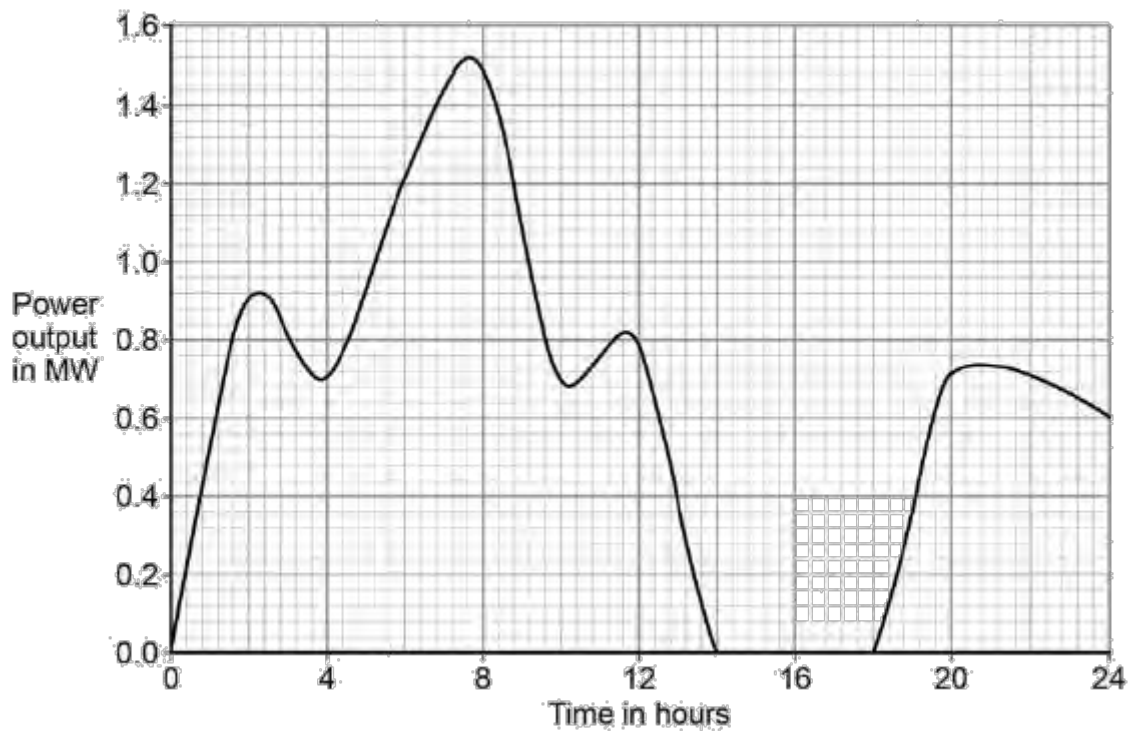
1

2

(2)

(b) Wind turbines are used to generate electricity.

The graph below shows how the power output of a wind turbine changes over one day.



A wind turbine does not generate electricity constantly.

For how many hours did the wind turbine generate no electricity?

.....

Time = hours

(1)

- (c) Electrical power is transferred from power stations to the National Grid.

What is the National Grid?

Tick **one** box.

a system of cables and pylons

a system of cables and transformers

a system of cables, transformers and power stations

(1)

- (d) An island has a large number of wind turbines and a coal-fired power station.

The island needs to use the electricity generated by the coal-fired power station at certain times.

Choose **one** reason why.

Tick **one** box.

Wind is a renewable energy resource.

Wind turbine power output is constant.

The power output of wind turbines is unpredictable.

The fuel cost for wind turbines is very high.

(1)

- (e) A wind turbine has an average power output of 0.60 MW.

A coal-fired power station has a continuous power output of 1500 MW.

Calculate how many wind turbines would be needed to generate the same power output as one coal-fired power station.

.....
.....

Number of wind turbines =

(2)

(f) It is important that scientists develop new energy resources.

Choose **one** reason why.

Tick **one** box.

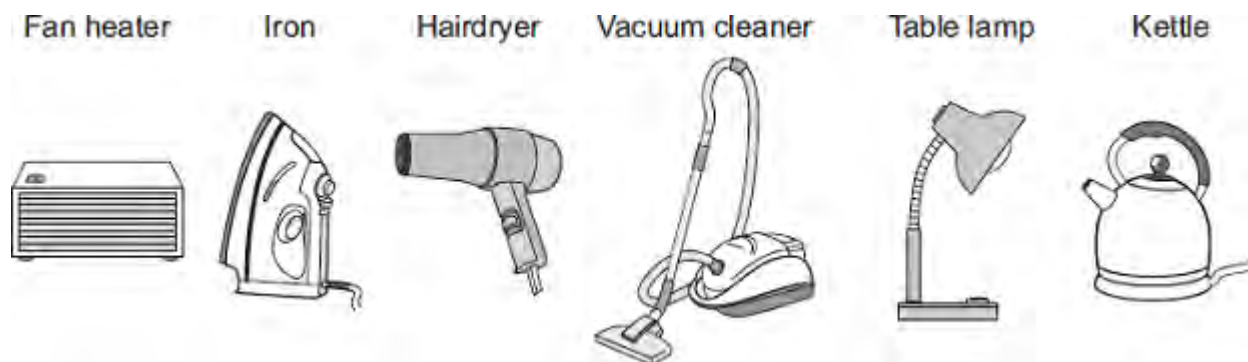
All energy resources are running out.

All energy resources are used to generate electricity.

Most energy resources have negative environmental effects.

(1)
(Total 8 marks)

Q2. The pictures show six different household appliances.



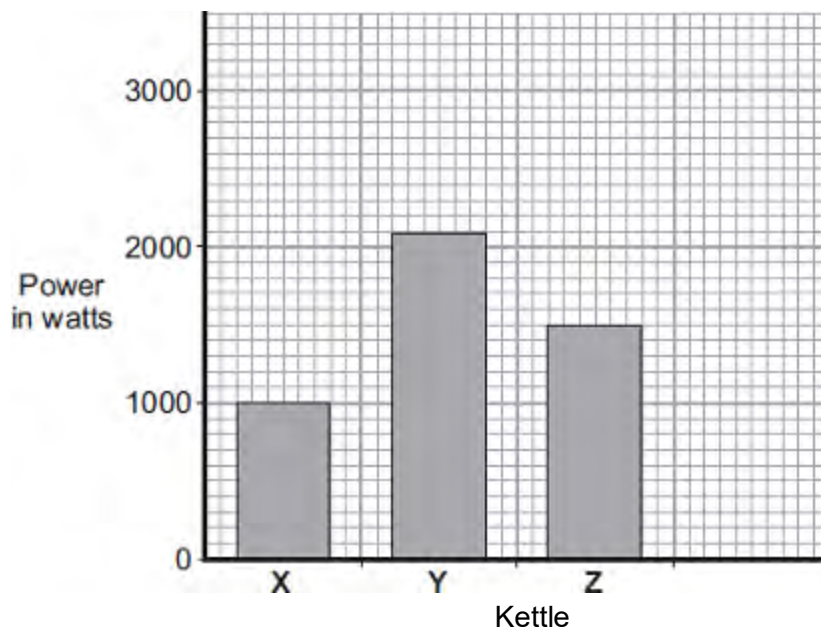
(a) Four of the appliances, including the fan heater, are designed to transform electrical energy into heat.

Name the other **three** appliances designed to transform electrical energy into heat.

- 1
- 2
- 3

(3)

(b) The bar chart shows the power of three electric kettles, X, Y and Z.



(i) In one week, each kettle is used for a total of 30 minutes.

Which kettle costs the most to use?

Put a tick (✓) next to your answer.

X

Y

Y

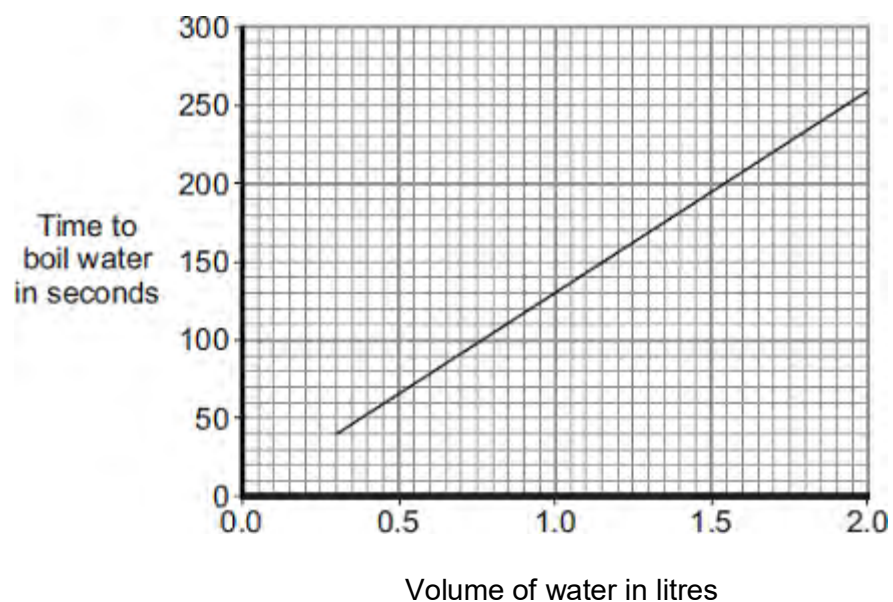
(1)

(ii) A new 'express boil' kettle boils water faster than any other kettle.

Draw a fourth bar on the chart to show the possible power of an 'express boil' kettle.

(1)

(c) The graph shows how the time to boil water in an electric kettle depends on the volume of water in the kettle.



A householder always fills the electric kettle to the top, even when only enough

boiling water for one small cup of coffee is wanted.

Explain how the householder is wasting money.

.....

.....

.....

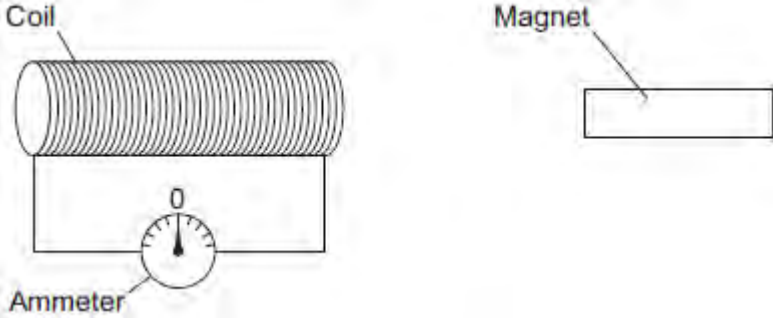
.....

.....

.....

(3)
(Total 8 marks)

Q3. The figure below shows a coil and a magnet. An ammeter is connected to the coil.



The ammeter has a centre zero scale, so that values of current going in either direction through the coil can be measured.

- (a) A teacher moves the magnet slowly towards the coil.

Explain why there is a reading on the ammeter.

.....

.....

.....

.....

.....

.....

.....

.....

.....

.....

.....

.....

.....

.....

.....

.....

.....

.....

.....

.....

.....

.....

(6)

- (b) The table below shows some other actions taken by the teacher.

Complete the table to show the effect of each action on the ammeter reading.

Action taken by teacher	What happens to the ammeter reading?
Holds the magnet stationary and moves the coil slowly towards the magnet	
Holds the magnet stationary within the coil	
Moves the magnet quickly towards the coil	
Reverses the magnet and moves it slowly towards the coil	

(4)

- (c) The magnet moves so that there is a steady reading of 0.05 A on the ammeter for 6 seconds.

Calculate the charge that flows through the coil during the 6 seconds.

Give the unit.

.....

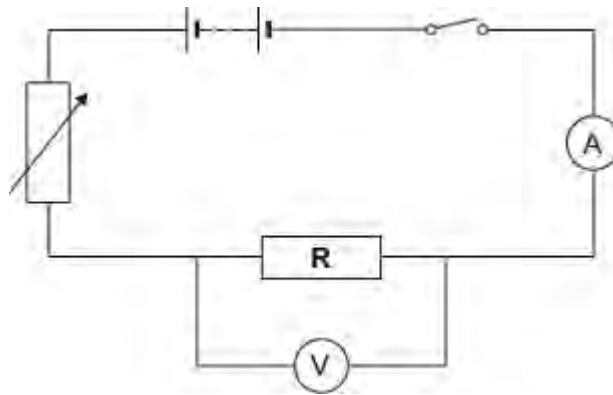
.....

.....

Charge =

(3)
(Total 13 marks)

Q4.(a) A resistor is a component that is used in an electric circuit.



(i) Describe how a student would use the circuit to take the readings necessary to determine the resistance of resistor **R**.

.....

.....

.....

.....

.....

.....

.....

.....

.....

.....

.....

.....

.....

.....

.....

.....

.....

.....

.....

.....

.....

.....

(6)

(ii) Explain why the student should open the switch after each reading.

.....

.....

.....
.....

(2)

- (iii) In an experiment using this circuit, an ammeter reading was 0.75 A.
The calculated value of the resistance of resistor **R** was 16 Ω .

What is the voltmeter reading?

.....
.....

Voltmeter reading = V

(2)

- (iv) The student told his teacher that the resistance of resistor **R** was 16 Ω .

The teacher explained that the resistors used could only have one of the following values of resistance.

10 Ω 12 Ω 15 Ω 18 Ω 22 Ω

Suggest which of these resistors the student had used in his experiment.

Give a reason for your answer.

.....
.....
.....
.....

(2)

- (b) The diagram shows a fuse.



Describe the action of the fuse in a circuit.

.....

.....

.....

.....

.....

.....

.....

.....

.....

(3)
(Total 15 marks)

Q5.An electrician is replacing an old electric shower with a new one.

The inside of the old shower is shown in the figure below.



© Michael Priest

- (a) The electrician should **not** change the shower unless he switches off the mains electricity supply.

Explain why.

.....

.....

.....

.....

(2)

- (b) The new shower has a power output of 10 690 W when it is connected to the 230 V mains electricity supply.

The equation which links current, potential difference and power is:

$$\text{current} = \frac{\text{power}}{\text{potential difference}}$$

Calculate the current passing through the new shower.

Give your answer to two significant figures.

.....
.....
.....

Current = A

(4)

(c) The new shower has a higher power rating than the old shower.

How does the power of the new shower affect the cost of using the shower?

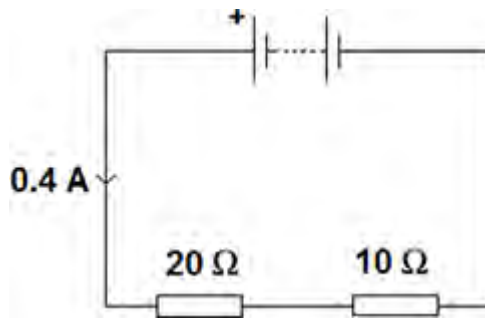
Give a reason for your answer.

.....
.....
.....
.....

(2)

(Total 8 marks)

Q6.An electrical circuit is shown in the figure below.



(a) The current in the circuit is direct current.

What is meant by direct current?

Tick **one** box.

Current that continuously changes direction.

Current that travels directly to the component.

Current that is always in the same direction.

(1)

(b) The equation which links current, potential difference and resistance is:

potential difference = current × resistance

Calculate the potential difference across the battery in the circuit in the figure above.

.....

Potential difference = V

(3)

(c) The equation which links current, potential difference and power is:

power = current × potential difference

Calculate the power output of the battery in the figure above.

Give your answer to one significant figure.

.....

Power = W

(2)

(Total 6 marks)