

# Electricity Answers

## Current, Potential Difference, Resistor Networks, Resistance and Resistivity

### 1. Resistance calculations

Evidence of 20  $\Omega$  for one arm (1)

$$\frac{1}{R} = \frac{1}{20} + \frac{1}{20} \quad (1)$$

$$R = 10 \Omega \quad (1)$$

3

#### Comment

This combination used instead of a single 10  $\Omega$  resistor [or same value as before] (1)

because a smaller current flows through each resistor/reduce heating in any one resistor/average out errors in individual resistors (1)

2

[5]

### 2. Statement 1

Statement is false (1)

Wires in series have same current (1)

Use of  $I = nAev$  with  $n$  and  $e$  constant (1)

3

[The latter two marks are independent]

#### Statement 2

Statement is true (1)

Resistors in parallel have same p.d. (1)

Use of Power =  $V^2/R$  leading to  $R \uparrow$ , power  $\downarrow$  (1)

3

OR as  $R \uparrow$ ,  $I \downarrow$  leading to a lower value of  $VI$  3<sup>rd</sup> mark consequent on second

[6]

<b>3.</b>	<u>Charge calculation</u>	
	$Q = 20\,000 \times 4.0 \times 10^{-4} \text{ s}$ [substitution]	
	$Q = 8.0 \text{ C/A s}$	2
	<u>Resistance calculation</u>	
	$R = \frac{\rho l}{A}$	
	$= \frac{(1.7 \times 10^{-8} \Omega)(50\text{m})}{(1.0 \times 10^{-3} \text{ m}^2)}$	
	$R = 8.5 \times 10^{-4} \Omega$	
	Formula (1)	
	Correct substitution (1)	
	Answer (1)	3
	<u>Potential difference calculation</u>	
	$V = IR$	
	$= (20\,000 \text{ A}) \times (85 \times 10^{-5} \Omega)$ [or their value] (1)	
	$= 17 \text{ V}$ [Allow full e.c.f] (1)	2
	<u>Explanation</u>	
	For the tree: R or p is larger (1)	1

[8]

<b>4.</b>	<u>Diagram</u>	
	Labelled wire and a supply (1)	
	Ammeter in series and voltmeter in parallel (1)	
	OR	
	Labelled wire with no supply (1)	
	Ohmmeter across wire (1)	2
	<u>Readings</u>	
	Current and potential difference OR resistance ( consistent with diagram) (1)	
	Length of wire (1)	
	Diameter of wire (1)	3

Use of readings

$$R = V/I \text{ OR } \rho = RA/l \text{ (1)}$$

Awareness that A is cross-sectional area (may be seen above and credited here) (1)

Repetition of calculation OR graphical method (1) 3

Precaution

Any two from:

- Readings of diameter at various places /different orientations
- Contact errors
- Zeroing instruments
- Wire straight when measuring length
- Wire not heating up / temperature kept constant (1) (1) 2

[10]

5. (a) Io and Jupiter: Time taken for electrons to reach Jupiter

$$t = s/v = (4.2 \times 10^8 \text{ m}) / (2.9 \times 10^7 \text{ m s}^{-1}) = 14.48 \text{ s}$$

Correct substitution in  $v = s/t$  (ignore powers of ten) (1)

Answer: 14.48 s, 14.5 s [no ue] (1) 2

(b) Estimate of number of electrons

$$Q = ne = It$$

$$n = It/e$$

$$n = (3.0 \times 10^6 \text{ A}) (1\text{s}) / (1.6 \times 10^{-19} \text{ C})$$

Use of  $ne = It$  (1)

$(1.8 - 2.0) \times 10^{25}$  (1) 2

(c) Current direction

From Jupiter (to Io) / to Io / to the moon (1) 1

[5]

6. Charge

Charge is the current  $\times$  time (1) 1

Potential difference

Work done per unit charge [flowing] (1) 1

Energy

$$9 \text{ V} \times 20 \text{ C (1)}$$

= 180 J (1) 2

[4]

7. (a) p.d. across 4  $\Omega$  resistor  
 $1.5 \text{ (A)} \times 4 \text{ ( $\Omega$ )}$   
 $= 6 \text{ V (1)}$  1
- (b) Resistance  $R_2$   
 Current through  $R_2 = 0.5 \text{ A (1)}$   
 $R_2 = \frac{6 \text{ (V)}}{0.5 \text{ (A)}}$   
 $R_2 = 12 \text{ } \Omega \text{ (1)}$  2  
 [allow ecf their pd across 4  $\Omega$ ]
- (c) Resistance  $R_1$   
 p.d. across  $R_1 = 12 - 6 - 4$   
 $= 2 \text{ V (1)}$   
 Current through  $R_1 = 2 \text{ A (1)}$   
 $R_1 = \frac{2 \text{ (V)}}{2 \text{ (A)}} = 1 \Omega \text{ (1)}$   
 [allow ecf of pd from (a) if less than 12 V]  
 Alternative method  
 Parallel combination =  $3 \Omega \text{ (1)}$   
 Circuit resistance =  $12 \text{ (V)} / 2 \text{ (A)} = 6 \Omega \text{ (1)}$   
 $R_1 = 6 - (3 + 2) = 1 \Omega \text{ (1)}$  3  
 [allow ecf of pd from (a) and R from (b)]

[6]

8. Definition of symbols:

$n$  = number of electrons/carriers per unit volume (per  $m^3$ )  
OR  
electron (or carrier) density (1)

$v$  = average (OR drift) velocity (OR speed) (1) 2

Ratio	Value	Explanation
$\frac{n_y}{n_x}$	1	Same material (1) (1)
$\frac{l_y}{l_x}$	1	Connected in series/Kirchoff's 1 <sup>st</sup> law/conservation of charge/current is the same (1) (1)
$\frac{v_y}{v_x}$	2	A is halved so $v$ double [Accept qualitative, e.g. $A \downarrow$ so $v \uparrow$ , or good analogy] (1) (1)

6

[Accept e.g.  $n_y = n_x \dots$ ]

[No e.c.f.]

[NB Mark value first, without looking at explanation. If value correct, mark explanation. If value wrong, don't mark explanation *except*: if  $v_y/v_x = 1/2$  or  $1:2$ , see if explanation is correct physics, and if so give (1). No e.c.f.]

[8]

9. Metal wire:

straight line through origin

Semiconductor diode:

line along V axis for negative I

curve up in first quadrant 3

in gap

p.d. across it (4.5 – 1.9) V

$$\therefore R_S = \frac{2.6V}{20 \times 10^{-3} A} = 130\Omega \quad 3$$

[6]

10. Resistance of strain gauge

State  $R = \frac{\rho l}{A}$  (1)

Use of formula (1)

x 6 (1)

$R = 0.13 \Omega$  [ecf their  $l$ ] (1) 4

$$\left( \begin{aligned} R &= \frac{\rho l}{A} = \frac{9.9 \times 10^{-8} \Omega \text{m} \times 2.4 \times 10^{-2} \text{m} \times 6}{1.1 \times 10^{-7} \text{m}^2} \\ &= 129.6 \times 10^{-3} \Omega \\ R &= 0.13 \Omega \end{aligned} \right)$$

Change in resistance

$$\Delta R = 0.13 \Omega \times 0.001$$

$$\Delta R = 1.3 \times 10^{-4} (\Omega) \text{ [no e.c.f.]}$$

OR

$$\Delta R = 0.02 \times 0.001$$

$$\Delta R = 2.0 \times 10^{-5} \Omega$$

0.1%  $\rightarrow$  0.001 (1)

Correct number for  $\Delta R$  (1)

2

Drift velocity

Stretching causes  $R$  to increase (1)

Any two from:

- Current will decrease
- $I = nA v Q$
- Drift velocity  $v$  decreases
- $nAe$  constant (1) (1)

3

[9]

[For  $R$  decreasing, max 1:

Any one from:

- $I$  will increase
- $I = nA v Q$
- $v$  will increase
- $nAe$  constant]

11. Definition of e.m.f. of a cell

Work/energy (conversion) per unit charge

1

for the whole circuit / refer to total (energy)

1

OR

Work/energy per unit charge

1

converted from chemical to electrical (energy)

1

OR

$E = \frac{W}{Q}$  for whole circuit 1

All symbols defined 1

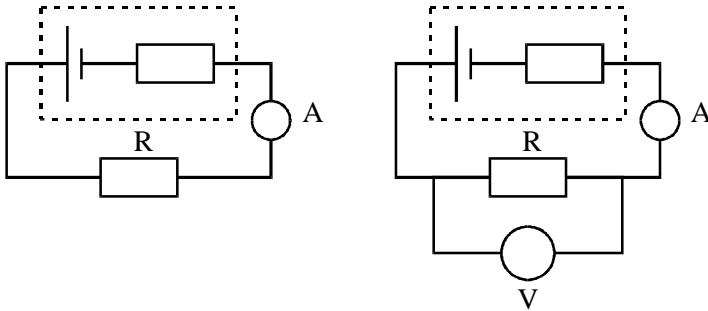
OR

$E = \frac{P}{I}$  for whole circuit 1

All symbols defined 1

[Terminal p.d. when no current drawn scores 1 mark only]

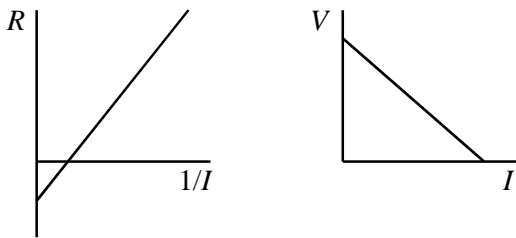
Circuit diagram



R	1	R (can be variable)	1	2
A in series	1	A and V correct	1	
		V as shown		
		Or across R + A		
		Or across battery		

[2<sup>nd</sup> mark is consequent on R(fixed, variable) or lamp]

Sketch graph



Graph correctly drawn with axes appropriately labelled and consistent with circuit drawn 1

Intercept on R axes  $\equiv (-)r$  Gradient  $\equiv (-)r$  [Gradient mark consequent on graph mark] 1

[Gradient may be indicated on graph]

**[6]**

12. (a) (i) Potential difference = work (done)/(unit) charge  
OR Potential difference = Power/current (1) 1
- (ii)  $J = \text{kg m}^2 \text{s}^{-2}$  (1)  
 $C = \text{A s}$  or  $W = \text{J s}^{-1}$  (1)  
 $V = \text{kg m}^2 \text{A}^{-1} \text{s}^{-3}$  (1) 3
- (b) Converts 2 minutes to 120 seconds (1)

Multiplication of  $VI\Delta t$  or  $V\Delta Q$  (1)

$$\text{Energy} = 1440 \text{ J (1)}$$

3

Example of answer:

$$\begin{aligned}\text{Energy} &= 6.0 \text{ V} \times 2.0 \text{ A} \times 120 \text{ s} \\ &= 1440 \text{ J}\end{aligned}$$

[7]

13. Current in heating element

$$p = VI$$

$$p = \frac{V^2}{R}$$

1

$$I = \frac{500 \text{ W}}{230 \text{ V}}$$

$$R = \frac{230^2}{500} / 105.8(\Omega)$$

$$I = 2.2 \text{ A}$$

$$I = 2.2 \text{ A}$$

1

1

Drift velocity

Drift velocity greater in the thinner wire / toaster filament

1

Explanation

Quality of written communication

1

See  $I = nAQv$

1

$I$  is the same (at all points)

1

(probably)  $n$  (and  $Q$ ) is the same in both wires

1

[8]

14. Current:

Conversion, i.e.  $0.94 \times 10^{-3} \text{ m s}^{-1}$  (1)

Use of  $1.6 \times 10^{-19} \text{ C}$  (1)

Answer 3.0 A

$$1.0 \times 10^{29} \text{ m}^{-3} \times 0.20 \times 10^{-6} \text{ m}^2 \times 1.6 \times 10^{-19} \text{ C} \times 0.94 \times 10^{-3} \text{ mm s}^{-1} \quad (1)$$

Current = 3.0 A [Accept 2.8 A if  $0.9 \times 10^{-3}$  used.]

3

Resistance:

$$\text{Recall } R = \frac{\rho l}{A} \quad (1)$$

Substitution:

$$R = \frac{1.7 \times 10^{-8} \Omega \text{ m} \times 4.0 \text{ m}}{0.20 \times 10^{-6} \text{ m}^2} \quad (1)$$

$$\text{Resistance} = 0.34 \Omega \quad (1)$$

3

Potential difference:

$$\text{Potential difference} = 3.0 \text{ A} \times 0.34 \Omega \quad (1)$$

$$= 1.0 \text{ V (1.02 V)}$$

[Mark for correct substitution of their values or for the answer of 1.0 V]

1



Explanation:

(Increasing resistivity) increases resistance (1)

Leads to a smaller current (1) 2

Comparison:

Drift velocity decreases (in second wire) (1) 1

[Allow  $V_1/V_2 = I_1/I_2$ ]

[Allow e.c.f. answer consistent with their current answer]

[Resistivity up, current down

$\rho$  up,  $I$  down / 2 (2<sup>nd</sup> mark)]

[10]

**15.** Calculation of voltages:

Any use of

Voltage = current x component resistance (1)

Ballast = 150 V (1)

Filament = 25 V (1) 3

Voltages on diagram:

3 voltages (150,25,25) marked on diagram near component; ignore units (1)

[Minimum  $150 \div (1 \times 25)$ ]

$V_{\text{starter}} = 30$  V (marked on diagram) (1)

Fundamental change necessary:

(Free) charge carriers or free electrons, ionised, *particles* need to be charged (1) (1)

[NOT T ↑ ] 3

Calculation of power dissipated:

$V_{\text{ballast}} = 230\text{V} - 110$  V (1)

$I = 120\text{V}/300$   $\Omega$

= 0.40 A (1)

Power =  $230$  V  $\times$  0.40 A [e.c.f for current]

= 92 W (1) 3

Faulty component:

Starter is not breaking the circuit/starter still conducting (1) 1

[10]

16.

Word Equation	Quantity Defined	
Voltage $\div$ Current	Resistance	(1)
Voltage $\times$ Current	Power	(1)
Charge $\div$ Time	Current	(1)
Work done $\div$ Charge	Voltage/p.d./e.m.f	(1)

[4]

17. Demonstration that resistance is  $0.085 \Omega$ :

$$R = \rho l/A \quad (1)$$

$$= 1.7 \times 10^{-8} \Omega\text{m} \times 20 \text{ m} / (4.0 \times 10^{-6} \text{ m}^2) \quad (1) \quad 2$$

Calculation of voltage drop:

$$V = 37 \text{ A} \times 0.085 \Omega \quad (1)$$

$$= 3.1 \text{ V} \times 2 = 6.3 \text{ V} \quad [\text{Not if } V_{\text{shower}} \text{ then found}] \quad (1) \quad 2$$

[Only one conductor, leading to 3.1 V, gets 1<sup>st</sup> mark]  
 [Nothing if wires in parallel]

Explanation:

$$\text{Lower resistance}/R = 0.057 \Omega / \text{less voltage drop/new } V = \frac{2}{3} \text{ old } V \quad (1)$$

Power dissipated in cable/energy wasted/wire not so hot  
 OR more p.d./current/power to shower  
 OR system more efficient (1) 2

[6]

18. Proof:

$$V = V_1 + V_2 \quad V = V_1 + V_2 \quad (1)$$

$$V = IR \quad V_1 = IR_1 \quad V_2 = \frac{\quad}{IR_2} \quad (1)$$

Substitute **and** cancel  $I$  Sub using  $R =$  (1)  
3

Explanation of why it is a good approximation:

Resistance of connecting lead is (very) small (1)

So  $I \times R_{(\text{very}) \text{ small}} = (\text{very}) \text{ small p.d./}e^{-1}\text{s do little work so p.d. small/r small}$  (1)

compared with rest of the circuit so p.d. small 2

Circumstances where approximation might break down:

If current is large **OR** resistance of rest of circuit is small (1)

[**Not** high voltage/long lead/thin lead/high resistivity lead/hot lead] 1

Calculation:

Use of  $R = \frac{\rho l}{A}$  with  $A$  attempted  $\times$  sectional area (1)

Correct use of 16 (1)

Use of  $V = IR$  (1)

0.036 V (1)  
4

[10]

19. Number of carriers or electrons per unit volume / per  $\text{m}^3$  /carrier density/electron density (1)

[Not charge density / concentration]

Drift velocity OR drift speed OR average/mean/net/overall velocity (1) 2

[Not just velocity; not speed unless drift]

$\text{m}^{-3}$  (1)

$\text{m}^2 \text{ As m s}^{-1}$  (1)

Multiply and reduce to A (1) 3

[Base units not needed]

[Mixed units and symbols could get the third mark]

[mA =  $\text{m}^{-1}$  loses 1 mark]

Metal:

M: $n$ large so there is a current	n: $n$ in metal <u>much</u> larger (1)
------------------------------------	--

Insulator

I: $n$ zero (negligible)/very small so less current (or zero current)	Current in metal is larger (1)
---	--------------------------------

2

[Ignore anything about  $v$ . Allow e.g. electron density for  $n$ ]

[7]

20. No, because  $V$  is not proportional to  $I$  OR not straight line through origin / (1)  
only conducts above 0.5 V / resistance changes 1

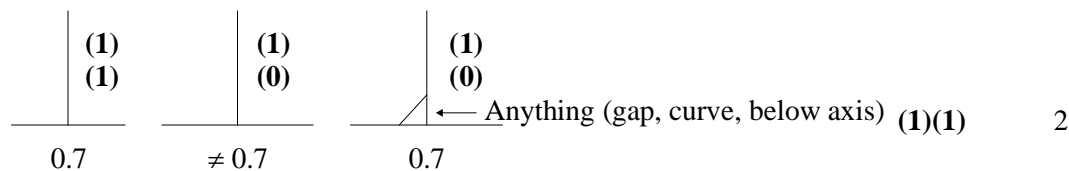
Use of  $R = 0.74$  / current from graph (1)

= 9.25  $\Omega$  [9.0 – 9.5  $\Omega$ ] [Minimum 2 significant figures] (1) 2

Calculation of p.d. across $R$ [8.26]	Calculation of total resistance [109 – 115]	Ratio $R$ : ratio $V$	$E = \Sigma IR$ (1)
$\div I$	– diode resistance [9]	Correct substitutions	Correct substitutions (1)
103 $\Omega$ [100 – 106] (1)			

3

[If not vertical line, 0/2]



[Otherwise 0 0]

[8]

21. Use  $R = \rho/l/A$  OR correct rearrangement OR plot  $R \rightarrow l$  gradient =  $\rho/A$  (1)  
[Symbols or words]

With  $A = tw$  (1) 2

$l = RA/\rho$  [Rearrangement mark symbols or numbers] (1)

Use of  $A = tw$  (1)

[Correct physical quantities substituted but ignoring unit errors, powers of 10]

= 110 m

[111 m] (1) 3

Reduce width/ $w$  of strip OR use thinner/ $t$  foil [Not reduce  $A$ ; not increase  $T, V, I$ ] (1)

Smaller  $w/t/A$  will be less accurate OR have larger error OR larger  $R$   
will be more accurate (1) 2

[Increase  $w$  or  $t$ , could give e.c.f. to increased accuracy]

[7]

22.  $I^2 R / (\mathcal{E}I - I^2 r) / \frac{(\mathcal{E} - Ir)^2}{R}$  (1)

$I^2 r / (\mathcal{E}I - I^2 r) \frac{(\mathcal{E} - Ir)^2}{R}$  (1)

$\mathcal{E}I$  OR  $I^2 R + I^2 r / \mathcal{E}^2 / (R + r)$  (1)

$\mathcal{E}I = I^2 R + I^2 r$  OR  $(It = I^2 RT + I^2 rt / \text{their (iii)} = \text{their (i)} + \text{their (ii)})$  (1)

Cancel  $I$  (OR  $I$  and  $t$ ) and arrange [only if energy equation is correct] (1) 5

Maximum current occurs when  $R = 0$  (1)

$I_{\max} = \mathcal{E}/r$  (1) 2

OR larger  $r$  means smaller  $I$  (1 mark)

1 M $\Omega$  [Could be underlined OR circled] (1)

It gives the smallest current (1)

[If 100 k $\Omega$  this reason: 1 only] 2

[9]