



Oxford Cambridge and RSA

AS Level Physics B (Advancing Physics)

H157/01 Foundations of physics

Tuesday 23 May 2017 – Morning

Time allowed: 1 hour 30 minutes



You must have:

- the Data, Formulae and Relationships Booklet (sent with general stationery)

You may use:

- a scientific or graphical calculator
- a ruler (cm/mm)



First name										
Last name										
Centre number						Candidate number				

INSTRUCTIONS

- Use black ink. HB pencil may be used for graphs and diagrams.
- Complete the boxes above with your name, centre number and candidate number.
- Answer **all** the questions.
- Write your answer to each question in the space provided. If additional space is required, you should use the lined page(s) at the end of this booklet. The question number(s) must be clearly shown.
- Do **not** write in the barcodes.

INFORMATION

- The total mark for this paper is **70**.
- The marks for each question are shown in brackets [].
- This document consists of **24** pages.

2
SECTION A

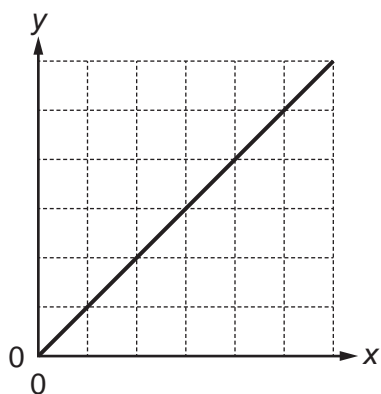
You should spend a maximum of 25 minutes on this section.

Answer **all** the questions.

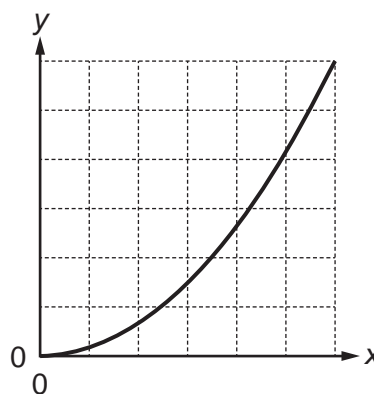
Write your answer to each question in the box provided.

Questions **1** and **2** are about these graphs.

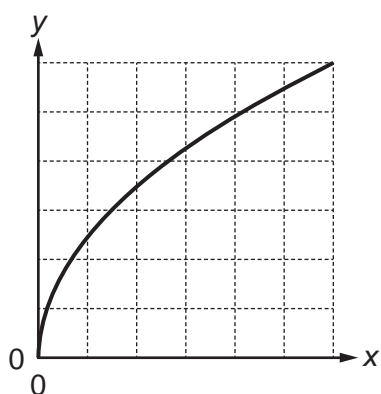
The graphs **A–D** represent different relationships between variables.



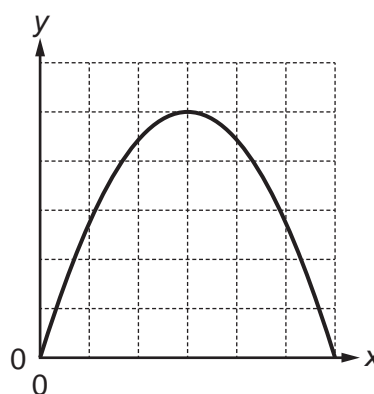
A



B



C



D

- 1** Which graph, **A**, **B**, **C** or **D**, best represents the relationship between the variables x and y where:
- y is the velocity of an object falling freely from rest
 - x is the time taken?

Your answer

[1]

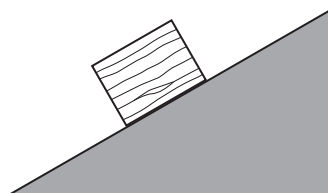
3

- 2 Which graph, **A**, **B**, **C** or **D**, best represents the relationship between the variables x and y where:
- y is the velocity of an object falling freely from rest
- x is the distance fallen?

Your answer

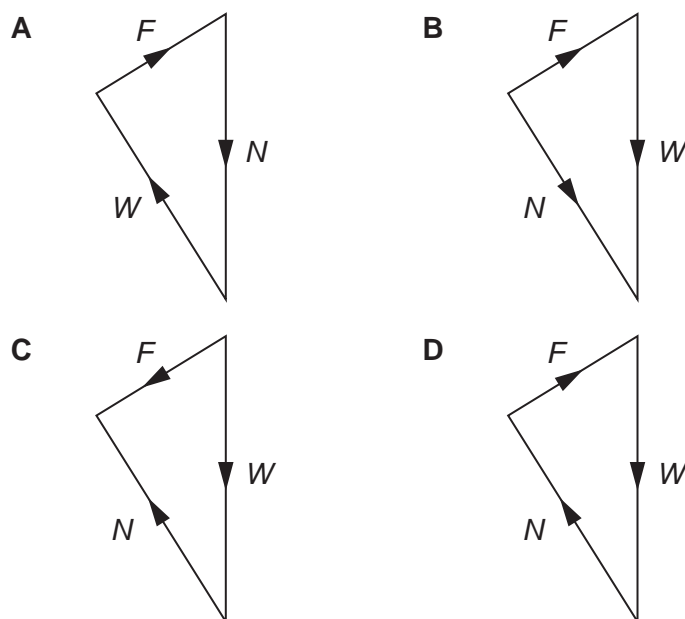
[1]

- 3 The diagram shows a block with weight W at rest on an inclined surface.



The frictional force, F , prevents the block from sliding. N is the normal contact force.

Which diagram shows the vector sum of the forces on the block?



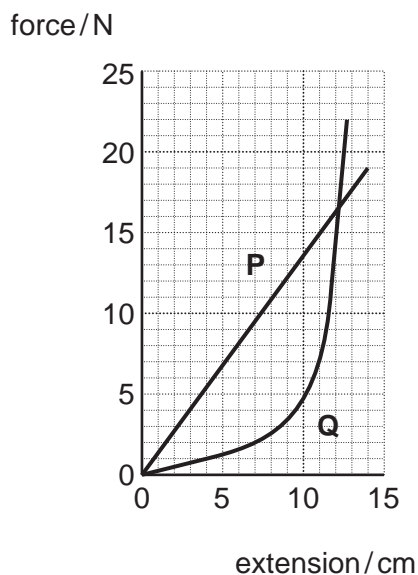
Your answer

[1]

4

- 4 This is a force–extension graph for two cords, **P** and **Q**, made of different materials.

The cords had the same initial length and diameter and were stretched up to breaking point.



Which one of these statements is true?

- A** The stiffness of **Q** decreases as it is stretched.
- B** The work done to stretch **Q** by 12 cm and the work done to stretch **P** by 12 cm is the same.
- C** The stiffness of **P** is approximately 1.3 Nm^{-1} .
- D** **Q** is stronger than **P**.

Your answer

[1]

- 5 A spacecraft sends images of Pluto to Earth.
Each image consists of 1024×1024 pixels. Each pixel is coded by 12 bits.

The data transfers at a rate of 200 bytes per second. Approximately how long does it take to transmit one image?

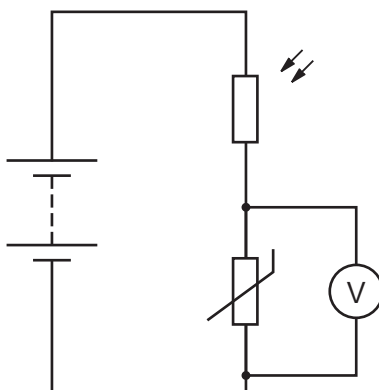
- A** 700 seconds
- B** 5200 seconds
- C** 7800 seconds
- D** 63000 seconds

Your answer

[1]

5

- 6 In the circuit below, the thermistor conducts better at higher temperatures.



Which set of conditions produces the highest reading on the voltmeter?

- A high light intensity, high temperature
- B high light intensity, low temperature
- C low light intensity, high temperature
- D low light intensity, low temperature

Your answer

[1]

- 7 A plane-polarised light wave is passed through a single polarising filter. The filter is rotated and the intensity observed drops from a maximum to zero.

Through what angle was the filter rotated?

- A 45°
- B 90°
- C 180°
- D 360°

Your answer

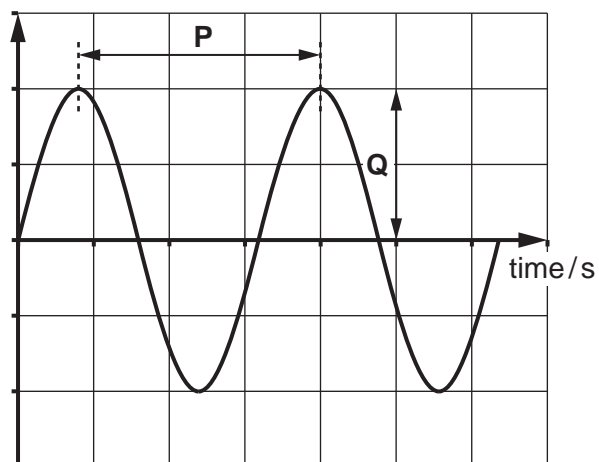
[1]

6

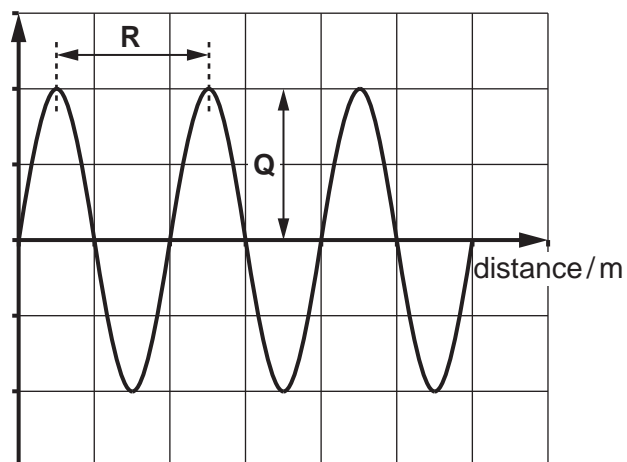
8 The graphs below describe a sound wave.

P, **Q** and **R** are intervals of time or distance as indicated on the graphs.

displacement/m



displacement/m



Which calculation gives the speed of this wave?

- A $P \times R$
- B $\frac{P}{R}$
- C $\frac{R}{P}$
- D $R \times Q$

Your answer

[1]

7

- 9 A ball, initially at rest, is struck by a hockey stick. It leaves the hockey stick at speed v .

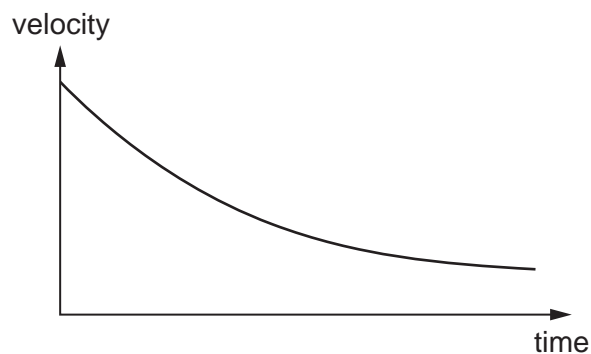
Which quantity, together with the mass of the ball, can be used to determine v ?

- A The time of the impact.
 B The weight of the hockey stick.
 C The impulse of the force on the ball.
 D The final momentum of the hockey stick.

Your answer

[1]

- 10 The velocity-time graph represents the motion of a parachutist after her parachute opens, but before she reaches terminal velocity.



During the time shown in the graph, which row is correct?

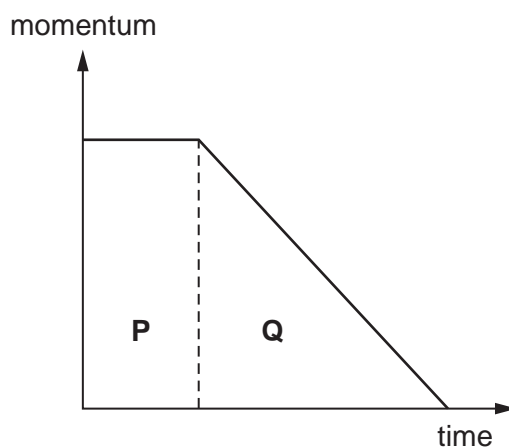
	air resistance	resultant force	direction of resultant force
A	decreases	decreases	down
B	decreases	decreases	up
C	increases	decreases	down
D	increases	increases	up

Your answer

[1]

8

- 11 The graph represents the motion of a car stopping in an emergency. The driver takes a short time to react before applying the brakes.



Which statement is correct?

- A Area **P** does not depend on the initial velocity.
- B The braking force is the gradient of the graph in section **Q**.
- C If the braking force is increased, the area **Q** will increase.
- D The total distance travelled before stopping is the sum of areas **P** and **Q**.

Your answer

[1]

- 12 Which is an expression for energy?

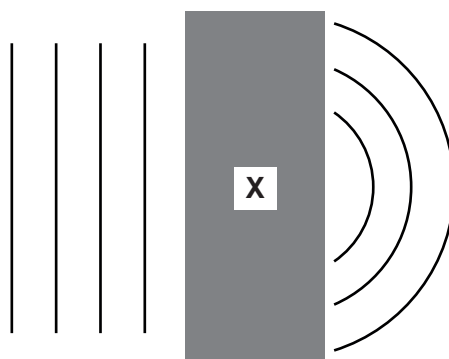
- A Fv where F is the force causing a body to move and v is its speed.
- B I^2R where I is the current in a resistance of value R .
- C mv where m is the mass of a body moving with velocity v .
- D VIt where V is the potential difference across a conductor, I is the current through it and t is the time for which the current flows.

Your answer

[1]

9

- 13 The diagram shows plane wavefronts incident on a region X. The contents of region X are hidden from view.



Region X is most likely to contain ...

- A a converging lens.
- B a narrow slit.
- C a polarising filter.
- D a rectangular plastic block.

Your answer

[1]

- 14 Two photons from the same monochromatic laser arrive at a detector via two possible paths. The phasor representing each photon path is shown below. The amplitude of each phasor is 1 unit.



The resultant phasor amplitude for these two possible paths at the detector is:

- A 0
- B 1.0 unit
- C 1.4 units
- D 2.0 units

Your answer

[1]

10

- 15 An unextended spring is 0.2 m long and has a spring constant of 2500 N m^{-1} . It is stretched to **three** times its original length and is still obeying Hooke's law.

What is the work done in stretching the spring?

- A 50 J
- B 200 J
- C 450 J
- D 800 J

Your answer

[1]

- 16 The length of a square paving stone is $0.500 \pm 0.002 \text{ m}$. The percentage uncertainty in this measurement is 0.4%. The area of the paving slab is 0.250 m^2 .

What is the uncertainty in the value for the area?

- A $\pm 0.0004 \text{ m}^2$
- B $\pm 0.0010 \text{ m}^2$
- C $\pm 0.0020 \text{ m}^2$
- D $\pm 0.0040 \text{ m}^2$

Your answer

[1]

- 17 Two wires of the same material are of equal unstretched length. One of the wires has double the diameter of the other wire. Equal weights are suspended from both wires. The thinner wire has strain ϵ .

What is the strain in the thicker wire?

- A $\frac{\epsilon}{4}$
 B $\frac{\epsilon}{2}$
 C 2ϵ
 D 4ϵ

Your answer

[1]

- 18 A student uses an ohmmeter and obtains five readings all of $1.89\text{ k}\Omega$.

The student changes the range from $0\text{--}20\text{ k}\Omega$ to $0\text{--}2\text{ k}\Omega$.

The student takes five new readings as shown in the table.

Resistance/ $\text{k}\Omega$	1.888	1.892	1.887	1.889	1.891
------------------------------	-------	-------	-------	-------	-------

Which line in the table correctly describes the effects of this change?

	Meter	Results
A	Better resolution	More precise
B	Better resolution	More accurate
C	Better precision	More accurate
D	Better precision	More precise

Your answer

[1]

19 The ratio $\frac{\text{height of a person}}{\text{wavelength of visible light}}$ is of the order of:

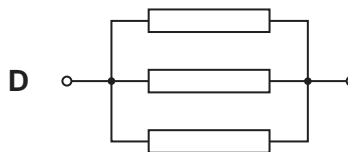
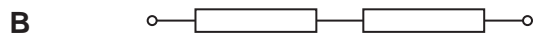
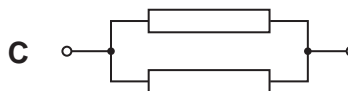
- A 10^2
- B 10^4
- C 10^6
- D 10^8

Your answer

[1]

20 The resistors below are identical. Each combination is connected in a circuit to a 6V battery of negligible internal resistance.

For which combination is the most power dissipated?



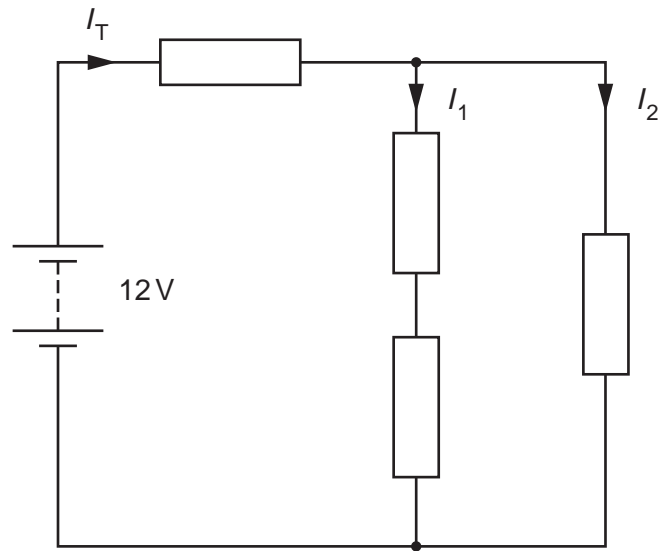
Your answer

[1]

13
SECTION B

Answer **all** the questions.

- 21** In the circuit shown, all resistors have the same resistance of $100\ \Omega$. Assume the battery has negligible internal resistance.



- (a)** State the relationship between the currents I_T , I_1 and I_2 .
 [1]
- (b)** Explain why I_2 is twice as large as I_1 .

 [2]
- (c)** Show that the total resistance of the circuit is less than $170\ \Omega$.

 [2]
- (d)** Calculate the power supplied by the battery.

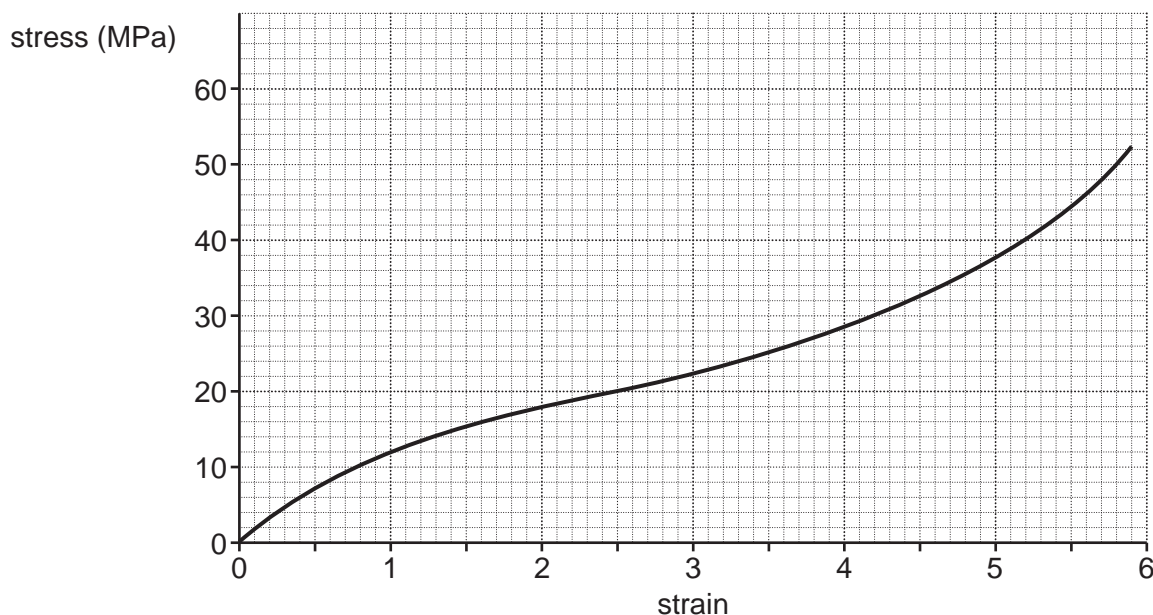
power = W [2]

- 22 The lens in a digital camera has focal length, $f = 2.0$ cm.
The camera is used to take a picture of a cat that is 50 cm away.

Calculate the distance between the lens and image sensor (CCD) in the camera.
Give your answer to 2 significant figures.

image distance = m [3]

- 23 The graph shows the stress-strain graph for a polymer material up to fracture.



- (a) Describe what the graph shows in terms of the stiffness of this polymer at different strains.

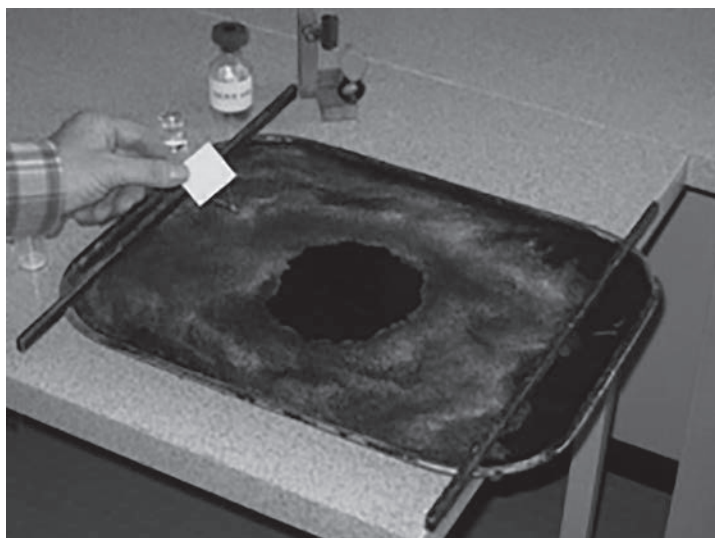
.....
..... [2]

- (b) Estimate the gradient of the graph just before fracture. Make your method clear.

gradient = MPa [2]

15

24 An experiment to estimate the size of an oil molecule is shown below.



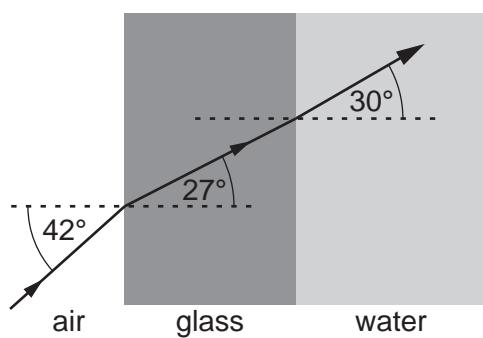
A drop of oil with diameter (0.5 ± 0.1) mm is dropped into water dusted with powder. The oil spreads out to a diameter of 20 cm in a layer that is assumed to be one molecule deep.

Estimate the size of a molecule using this data.
One mark is for stating an assumption you make in your calculation.

size of molecule = m [3]

16

- 25 A glass tank contains water. A ray of light travels from the air through the glass into the water as shown.



- (a) Show that the speed of light in glass is about two-thirds of that in air.

[2]

- (b) Without calculation, explain what the diagram shows about the speed of light in water.

.....

.....

..... [2]

SECTION C

Answer **all** the questions.

26 **Fig. 26.1** shows an aeroplane flying horizontally and towing a flag.

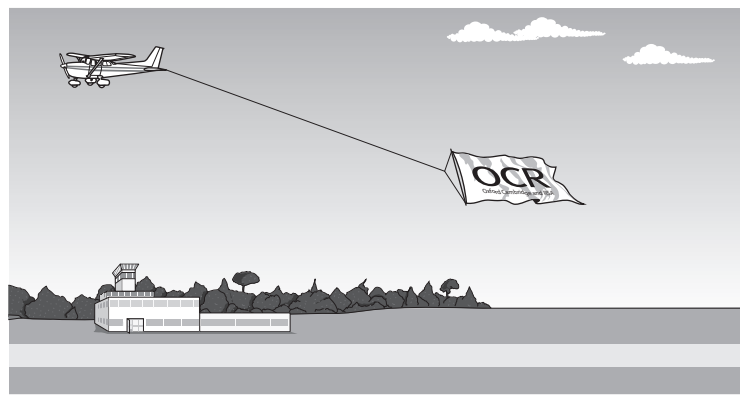


Fig. 26.1

The flag is attached to the aeroplane using a metal cable. **Fig. 26.2** shows that the cable is at an angle of 20° below the line of flight of the aeroplane.

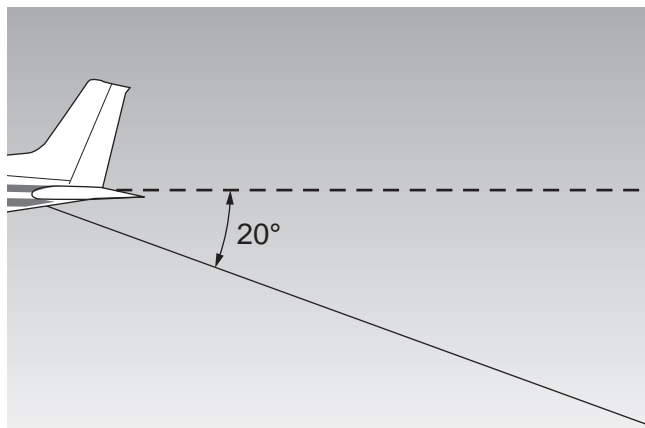


Fig. 26.2

When the aeroplane is travelling at a steady speed of 40 m s^{-1} the tension in the cable is 1.5 kN .

(a) Show that the work done in towing the flag when the aeroplane travels 1 m in the line of flight is about 1.4 kJ .

.....
 [2]

(b) Calculate the power required for towing the flag.

power = W [1]

Turn over

18

- (c) The diameter of the metal cable is 12 mm.
The Young modulus of the metal cable is 210 GPa.

(i) Calculate the operating stress in the cable during towing.

stress = Pa [3]

(ii) The breaking stress of the metal is 460 MPa.

Comment on the safety of the procedure.

.....
..... [1]

(iii) Calculate the strain in the cable.

strain = [2]

- (i) Fig. 27.2 shows a graph of the file size plotted against message time for the first three data points.

Complete the graph and draw the best fit line.

[2]

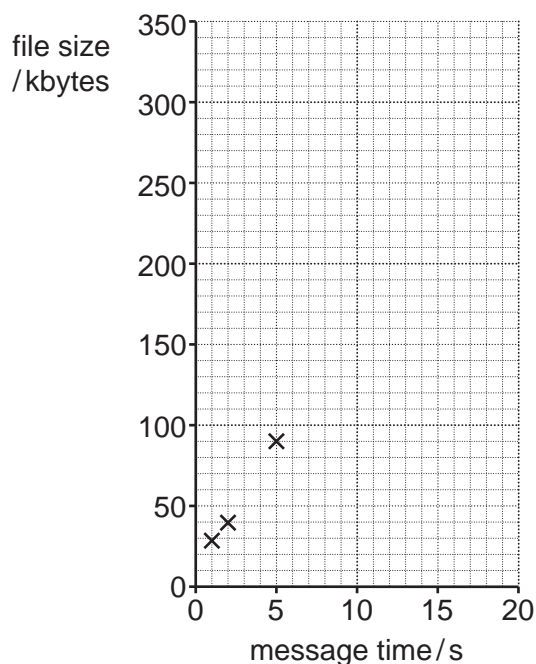


Fig. 27.2

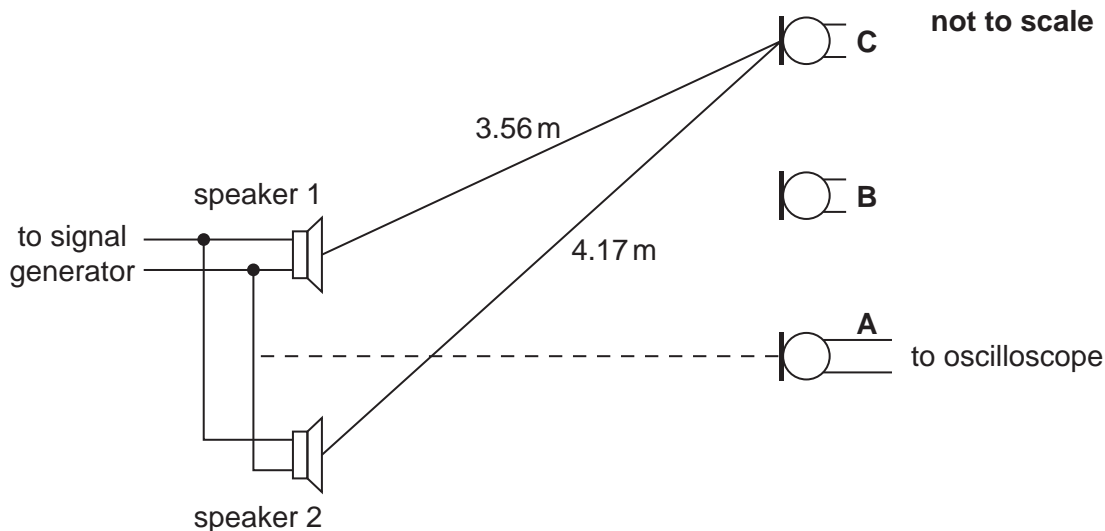
- (ii) State how the graph shows that there is a fixed amount of information transmitted with each file that is independent of the message time.

.....
 [1]

- (iii) Use the data to estimate the number of **bits** stored in the file per second of sound recorded.

bits per second = [2]

28 A student is attempting to measure the wavelength of sound waves using interference. She sets up the apparatus shown. There are **two** identical loudspeakers connected in parallel to a signal generator and a microphone connected to an oscilloscope.



The student finds that a maximum signal is measured with the microphone at position **A**. She moves the microphone to position **B** where the signal is a minimum.

(a) Suggest one reason why it would be difficult:

(i) to locate position **B** precisely

.....
 [1]

(ii) to measure the distance between position **A** and the speakers precisely.

.....
 [1]

(b) The student continues to move the microphone to position **C** where the signal is again a maximum.

(i) Calculate the wavelength of the sound waves. Show how you arrive at your answer.

wavelength = m [2]

- (ii) Another student suggests a method for improving the wavelength measurement. He suggests using a laser to measure the distance between the speakers and microphone very accurately.

Evaluate this suggestion in terms of the likely effect on the percentage error in the calculated wavelength.

.....

.....

.....

..... [2]

- (c) The student measured the frequency of the sound wave at 560 ± 30 Hz. The uncertainties in the distances from each speaker to position **C** are ± 0.02 m.

Calculate the speed of sound in air from this data and your answer in part (b) and make an estimate of the uncertainty. Make your method clear.

speed of sound = \pm ms^{-1} [4]

- (d) The student now reverses the connections to speaker 2 but keeps the connections to speaker 1 unchanged.

State and explain the effect this would have on the signal measured by the microphone at positions **A** and **C**.

.....

..... [2]

END OF QUESTION PAPER

ADDITIONAL ANSWER SPACE

If additional space is required, you should use the following lined page(s). The question number(s) must be clearly shown in the margin(s).

A large area of lined paper for writing. It features a vertical solid line on the left side, creating a margin. The rest of the page is filled with horizontal dotted lines, providing space for writing answers.

A large area of the page is filled with horizontal dotted lines, providing a space for writing answers. A solid vertical line runs down the left side of this area, creating a margin.



Copyright Information

OCR is committed to seeking permission to reproduce all third-party content that it uses in its assessment materials. OCR has attempted to identify and contact all copyright holders whose work is used in this paper. To avoid the issue of disclosure of answer-related information to candidates, all copyright acknowledgements are reproduced in the OCR Copyright Acknowledgements Booklet. This is produced for each series of examinations and is freely available to download from our public website (www.ocr.org.uk) after the live examination series.

If OCR has unwittingly failed to correctly acknowledge or clear any third-party content in this assessment material, OCR will be happy to correct its mistake at the earliest possible opportunity.

For queries or further information please contact the Copyright Team, First Floor, 9 Hills Road, Cambridge CB2 1GE.

OCR is part of the Cambridge Assessment Group; Cambridge Assessment is the brand name of University of Cambridge Local Examinations Syndicate (UCLES), which is itself a department of the University of Cambridge.