



Oxford Cambridge and RSA

Wednesday 20 October 2021 – Morning

A Level Physics A

H556/03 Unified physics

Time allowed: 1 hour 30 minutes



You must have:

- The Data, Formulae and Relationships Booklet

You can use:

- a scientific or graphical calculator
- a ruler (cm/mm)



Please write clearly in black ink. **Do not write in the barcodes.**

Centre number

--	--	--	--	--

Candidate number

--	--	--	--

First name(s)

Last name

INSTRUCTIONS

- Use black ink. You can use an HB pencil, but only for graphs and diagrams.
- Write your answer to each question in the space provided. If you need extra space use the lined pages at the end of this booklet. The question numbers must be clearly shown.
- Answer **all** the questions.
- Where appropriate, your answers should be supported with working. Marks might be given for using a correct method, even if your answer is wrong.

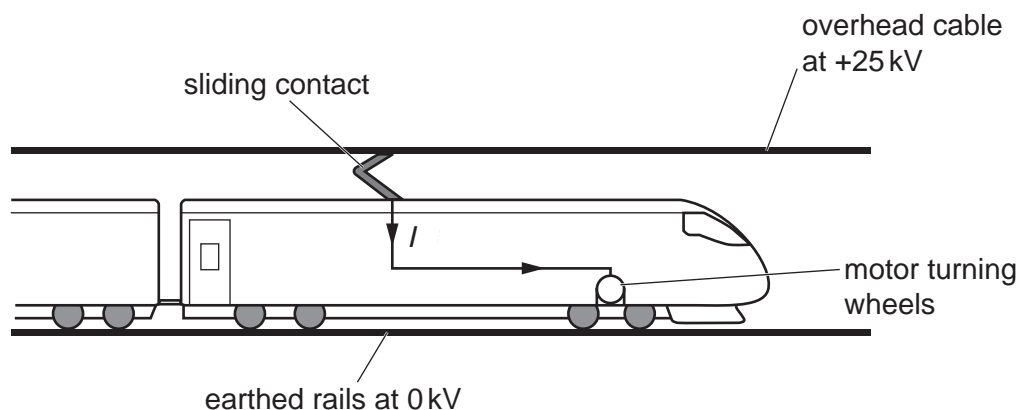
INFORMATION

- The total mark for this paper is **70**.
- The marks for each question are shown in brackets [].
- Quality of extended responses will be assessed in questions marked with an asterisk (*).
- This document has **20** pages.

ADVICE

- Read each question carefully before you start your answer.

2

Answer **all** the questions.1 **Fig. 1** shows a high-speed electric train.**Fig. 1**

The potential difference between the overhead cable and the rails on the ground is 25 kV. The sliding contact on the top of the train constantly touches the overhead cable. The overhead cable supplies a current I to the electric motor of the train. The motor turns the wheels. The train experiences a **resultant** forward force F .

The total mass of the train is 2.1×10^5 kg.

(a) The train accelerates from rest. The value of F is 190 kN for speeds less than 6.0 m s^{-1} .

(i) Show that the train's acceleration is about 1 m s^{-2} .

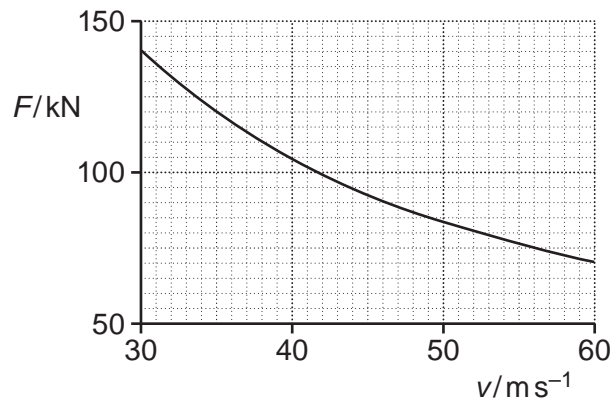
[1]

(ii) Calculate the distance s that the train travels to reach a speed of 6.0 m s^{-1} .

$s = \dots\dots\dots \text{ m}$ [2]

3

- (iii) The speed of the train is v .
 During one period of its journey, the train accelerates from $v = 30 \text{ ms}^{-1}$ to $v = 60 \text{ ms}^{-1}$.
 The graph of F against v for this period is shown below.



1. Use the graph to show that output power of the electric motor during this period is constant at about 4 MW.

[3]

2. Calculate the current I in the electric motor when the train is travelling at 50 ms^{-1} .

$$I = \dots\dots\dots \text{ A [2]}$$

Question 1 is continued on page 4

4

- (b) The overhead cable in **Fig. 1** must be tensioned.
It is constructed from several equal lengths of wire.

Some data for one length of this wire are shown below.

- length = 1500 m
- area of cross-section = $1.1 \times 10^{-4} \text{ m}^2$
- resistivity = $1.8 \times 10^{-8} \Omega \text{ m}$
- the Young modulus = $1.2 \times 10^{10} \text{ Pa}$
- strain = 1.3%

- (i) Calculate the resistance R of one length of wire.

$$R = \dots\dots\dots \Omega \text{ [2]}$$

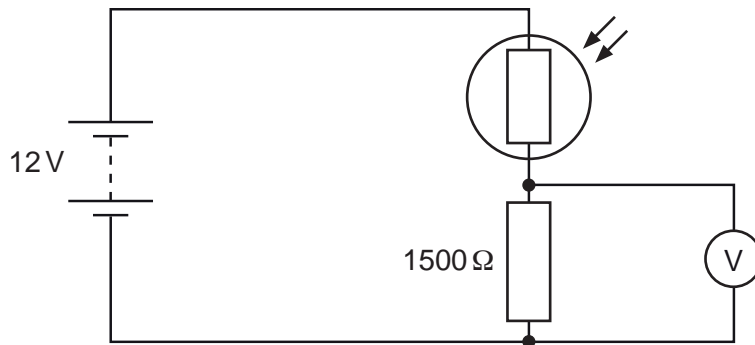
- (ii) Calculate the tension T in one length of wire.

$$T = \dots\dots\dots \text{ N [3]}$$

5

2 This question is about a light-dependent resistor (LDR).

(a) A student connects a potential divider circuit as shown below. It contains an LDR.



The fixed resistor has resistance $1500\ \Omega$.

The battery has electromotive force (e.m.f.) 12 V and negligible internal resistance.

The voltmeter has extremely high resistance.

(i) When the LDR is covered, its resistance is $3000\ \Omega$.

Calculate the voltmeter reading.

voltmeter reading = V [2]

(ii) When fully illuminated, the resistance of the LDR is $100\ \Omega$.
Show that the voltmeter reading **changes** by more than 7 V.

[1]

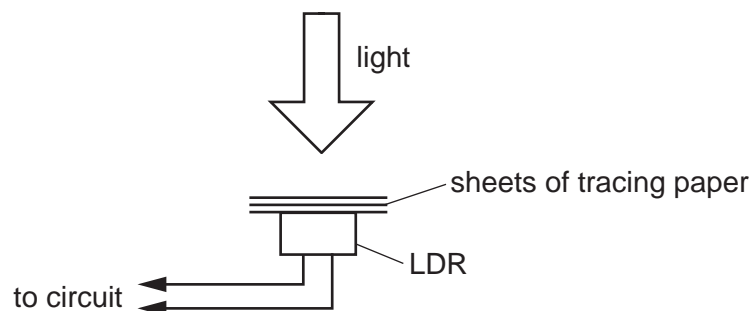
Question 2 is continued on page 6

6

***(b)** The current in an LDR depends on the intensity of light incident on it.

A student decides to alter the intensity of light incident on an LDR by using sheets of tracing paper and a light source.

The diagram below shows **part** of an arrangement suggested by the student.



It is suggested that the current I in the LDR is given by the expression

$$I = ke^{-nx}$$

where x is the **total** thickness of the sheets of tracing paper, and k and n are constants.

Describe how the student could carry out an experiment to verify the validity of this expression and determine k and n . Include in your answer

- a circuit diagram
- a possible table for the results, including the headings
- the graph plotted to determine k and n
- any precautions taken to improve the quality of the results.

[6]

.....

.....

.....

.....

.....

.....

.....

.....

.....

.....

.....

.....

.....

.....

.....

.....

.....

.....

.....

.....

.....

.....

.....

.....

.....

.....

Additional answer space if required

.....

.....

.....

.....

.....

.....

.....

.....

.....

.....

.....

.....

.....

.....

.....

.....

.....

.....

.....

.....

.....

.....

8

3 This question is about a space probe which is in orbit around the Sun.

(a) Define **gravitational potential energy** of an object at a point in a gravitational field.

.....
 [1]

(b) The space probe has mass 810 kg. The orbital radius of the space probe is 1.5×10^{11} m. The orbital period of the space probe around the Sun is 3.16×10^7 s. The mass of the Sun is 2.0×10^{30} kg.

(i) Show that the magnitude of the gravitational potential energy of the space probe is about 7×10^{11} J.

[2]

(ii) Show that the kinetic energy of the space probe is half the value of your answer to (b)(i).

[3]

(iii) Calculate the total energy of the space probe.

total energy = J [1]

9

- (c) The power source for the instrumentation on board the space probe is plutonium-238, which provides 470 W initially.

Plutonium-238 decays by α -particle emission with a half-life of 88 years.
The kinetic energy of each α -particle is 8.8×10^{-13} J.

- (i) Calculate the number N of plutonium-238 nuclei needed to provide the power of 470 W.

$$N = \dots\dots\dots [3]$$

- (ii) Calculate the power P still available from the plutonium-238 source 100 years later.

$$P = \dots\dots\dots \text{ W } [3]$$

Additional answer space if required

.....

.....

.....

.....

.....

.....

.....

.....

.....

.....

Question 4 continues on page 12

12

(b) The electromagnetic induction hob is shown in **Fig. 4.1**.

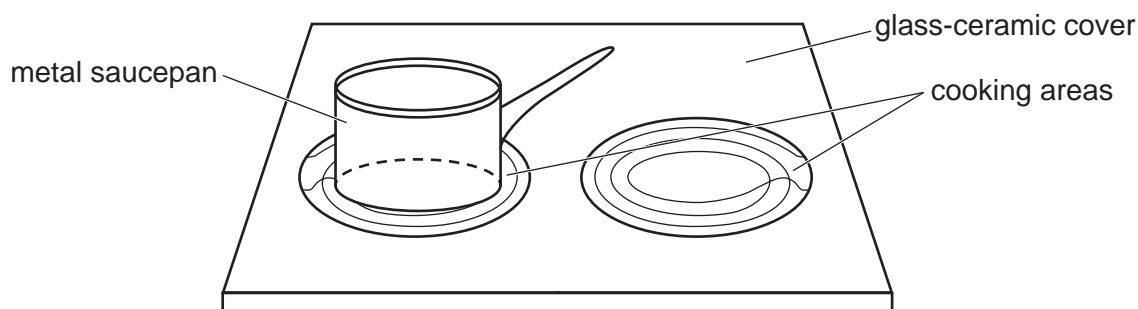


Fig. 4.1

Each cooking area has a coil below the glass-ceramic cover. When switched on, the coils carry a high-frequency **alternating** current.

A metal saucepan is placed above one of the coils. A large alternating current is induced in the saucepan base, and this causes the saucepan to heat up.

(i) **Fig. 4.2** shows one of the coils at a time when the current is in the direction indicated by the arrows.

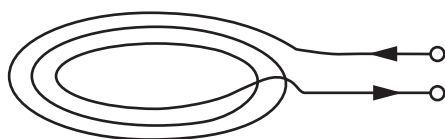


Fig. 4.2

On **Fig. 4.2**, sketch the magnetic field pattern for the current-carrying coil. [2]

- (ii) **Fig. 4.3** shows the path of the large alternating current induced in the metal base of the saucepan.

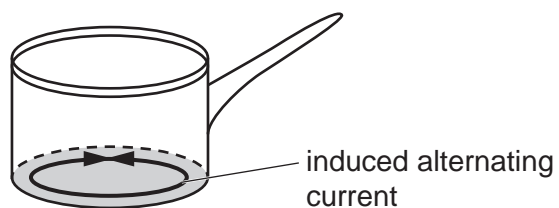


Fig. 4.3

Explain the origin of this large current.

.....

.....

.....

.....

.....

.....

..... [2]

- (iii) Explain why it would be safe for a person to place a hand on the cooking area before the saucepan is put onto it.

.....

.....

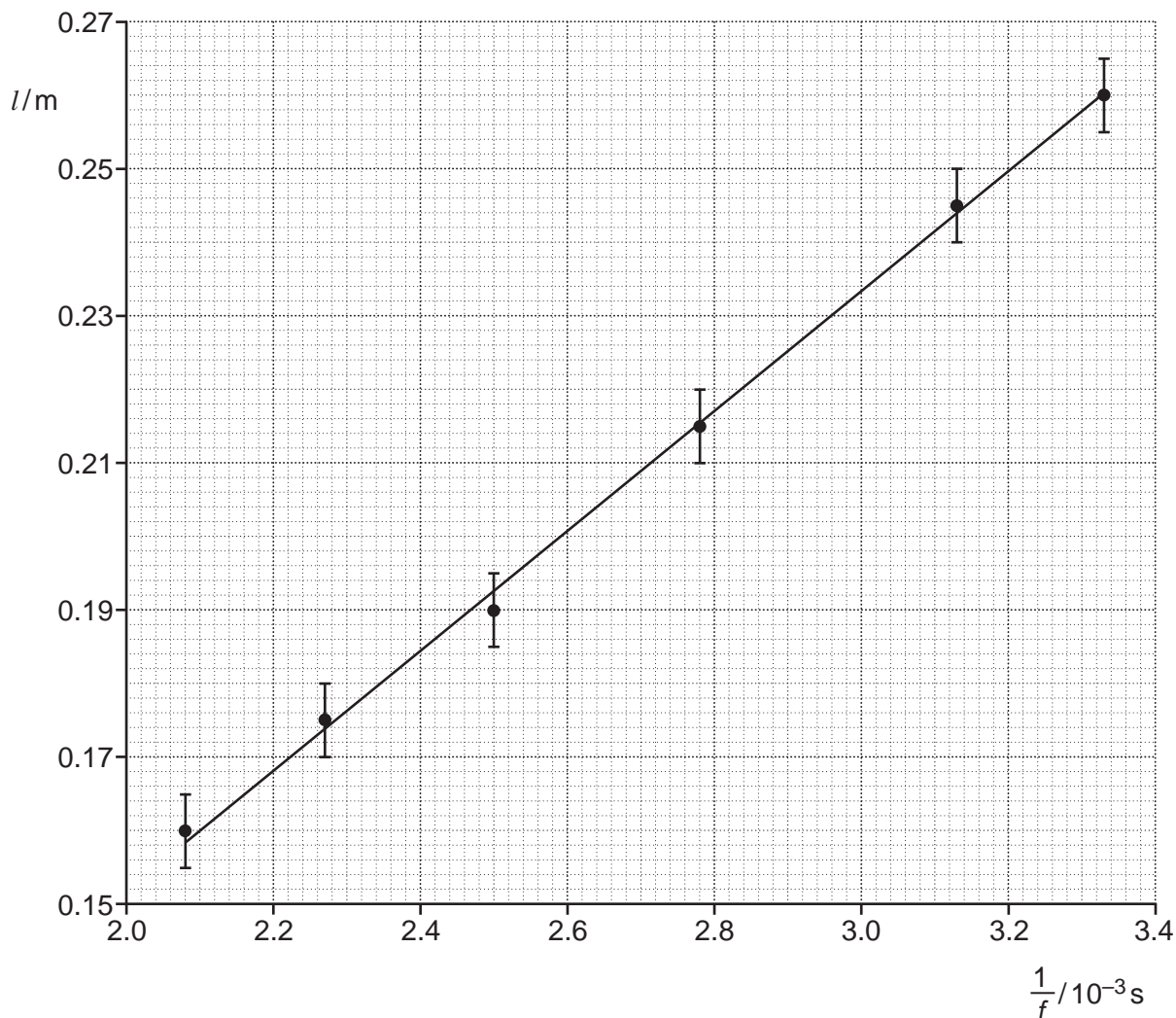
.....

..... [2]

(b) Theory suggests that f and l are related by the equation $4(l + k) = \frac{v}{f}$, where v is the speed of sound in air and k is a constant.

The student measures corresponding values of l and f and plots a graph of l against $\frac{1}{f}$.

The data points, error bars and the line of best fit drawn by the student are shown in the graph below.



(i) Show that the line of best fit has gradient = $\frac{v}{4}$ and y-intercept = $-k$.

[2]

(ii) Calculate v from the gradient of the line of best fit.

$v = \dots\dots\dots \text{ms}^{-1}$ [3]

- (c) The experiment is repeated using the same tube and an unlabelled tuning fork, as shown in **Fig. 5.2**. The distance l is measured as 22 cm.

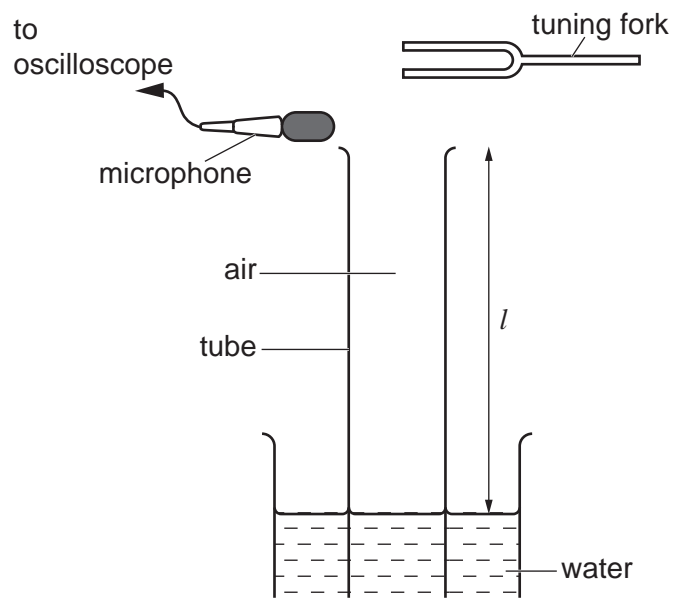


Fig. 5.2

The frequency of the vibrating tuning fork is F .

- (i) Use the line of best fit on the graph to estimate F .

$$F = \dots\dots\dots \text{Hz} \quad [2]$$

17

- (ii) The percentage uncertainty in the value of F can be written as $100 \frac{\Delta F}{F}$ where ΔF is the absolute uncertainty in F .

Use the rules for combining uncertainties to write an expression for the percentage uncertainty in the value of F in terms of v and its absolute uncertainty Δv , l and its absolute uncertainty Δl , and k and its absolute uncertainty Δk .

[2]

- 6 The London Eye, shown rotating anticlockwise in **Fig. 6.1**, is a giant wheel which rotates slowly at a constant speed.

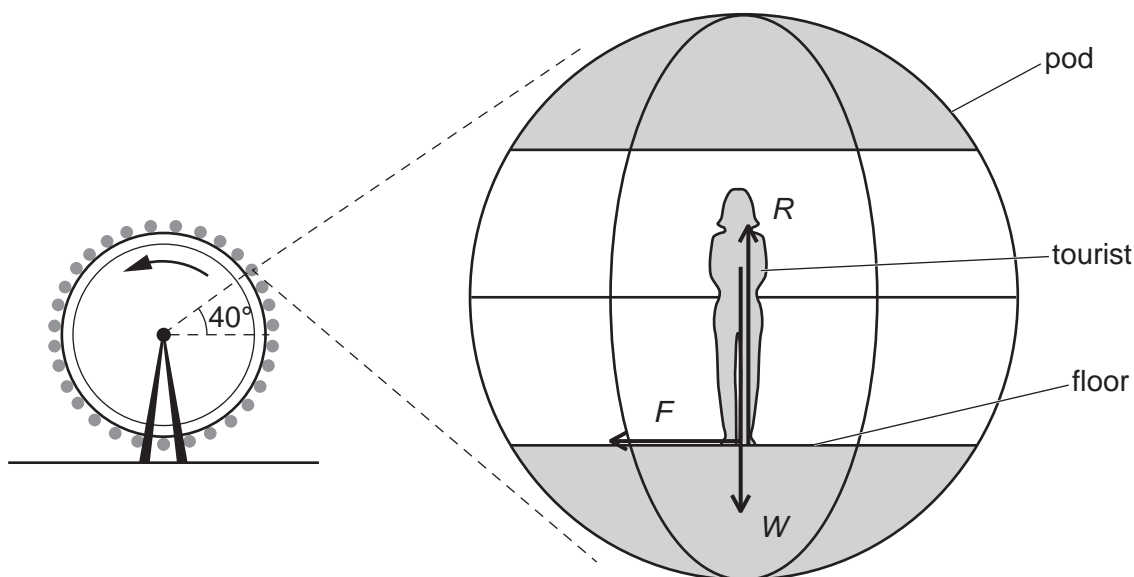


Fig. 6.1

Fig. 6.2

Tourists stand in pods around the circumference of the wheel.
The floor remains horizontal at all times.

At time $t = 0$, a tourist who has a weight W of 650 N enters a pod at the bottom of the wheel.

Fig. 6.2 shows the forces acting on the tourist at a later time, when the angle between the pod's position and the centre of the wheel is 40° above the horizontal. R is the normal contact force and F is friction.

- (a) The resultant upward force ($R - W$) on the tourist changes during the 30 minutes of the rotation of the London Eye as shown in **Fig. 6.3**.

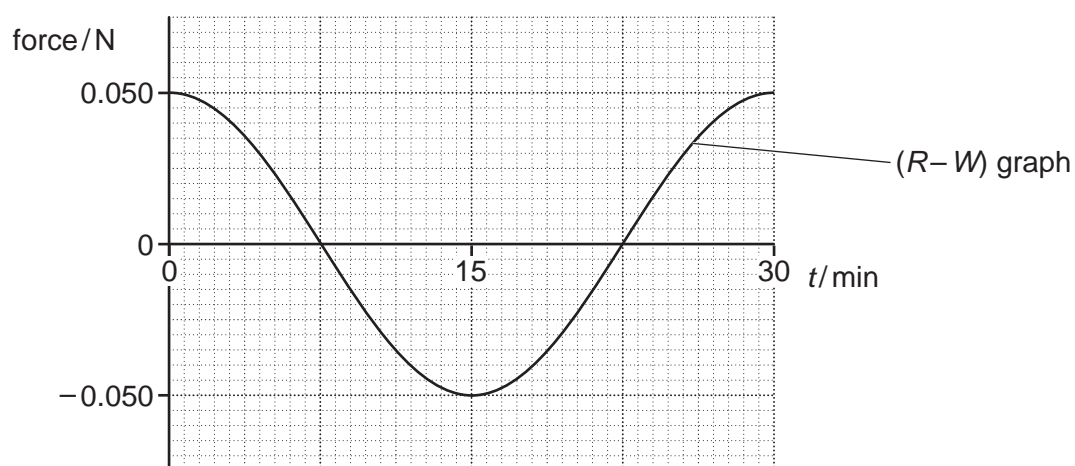


Fig. 6.3

Explain how the graph in **Fig. 6.3** shows that the magnitude of the centripetal force on the tourist during the rotation is 0.050 N.

.....

.....

.....

19

- (b) (i) Explain why the horizontal force F between the floor and the tourist is necessary.

.....

.....

.....

.....

.....

.....

..... [2]

- (ii) Draw on **Fig. 6.3** the variation of the horizontal force F during the 30 minutes of the anticlockwise rotation of the London Eye. Take forces to the right to be positive. [2]
- (iii) Calculate the magnitude of force F when the pod is at the position shown in **Fig. 6.2**, at 40° above the horizontal.

$$F = \dots\dots\dots \text{ N [2]}$$

- (c) Calculate the distance d of the centre of mass of the tourist from the centre of rotation of the London Eye.

$$d = \dots\dots\dots \text{ m [3]}$$

END OF QUESTION PAPER

ADDITIONAL ANSWER SPACE

If additional space is required, you should use the following lined page(s). The question number(s) must be clearly shown in the margin(s).

A large rectangular area with a vertical line on the left side and horizontal dotted lines across the rest of the page, intended for writing answers.



Copyright Information

OCR is committed to seeking permission to reproduce all third-party content that it uses in its assessment materials. OCR has attempted to identify and contact all copyright holders whose work is used in this paper. To avoid the issue of disclosure of answer-related information to candidates, all copyright acknowledgements are reproduced in the OCR Copyright Acknowledgements Booklet. This is produced for each series of examinations and is freely available to download from our public website (www.ocr.org.uk) after the live examination series. If OCR has unwittingly failed to correctly acknowledge or clear any third-party content in this assessment material, OCR will be happy to correct its mistake at the earliest possible opportunity.

For queries or further information please contact The OCR Copyright Team, The Triangle Building, Shaftesbury Road, Cambridge CB2 8EA.

OCR is part of the Cambridge Assessment Group; Cambridge Assessment is the brand name of University of Cambridge Local Examinations Syndicate (UCLES), which is itself a department of the University of Cambridge.