



Oxford Cambridge and RSA

**Thursday 14 October 2021 – Morning**

**A Level Physics A**

**H556/02 Exploring physics**

**Time allowed: 2 hours 15 minutes**



**You must have:**

- the Data, Formulae and Relationships Booklet

**You can use:**

- a scientific or graphical calculator
- a ruler (cm/mm)



Please write clearly in black ink. **Do not write in the barcodes.**

Centre number

--	--	--	--	--

Candidate number

--	--	--	--

First name(s)

---

Last name

---

**INSTRUCTIONS**

- Use black ink. You can use an HB pencil, but only for graphs and diagrams.
- Write your answer to each question in the space provided. If you need extra space use the lined pages at the end of this booklet. The question numbers must be clearly shown.
- Answer **all** the questions.
- Where appropriate, your answer should be supported with working. Marks might be given for using a correct method, even if your answer is wrong.

**INFORMATION**

- The total mark for this paper is **100**.
- The marks for each question are shown in brackets [ ].
- Quality of extended responses will be assessed in questions marked with an asterisk (\*).
- This document has **32** pages.

**ADVICE**

- Read each question carefully before you start your answer.

2

## SECTION A

You should spend a maximum of 30 minutes on this section.

Write your answer to each question in the box provided.

Answer **all** the questions.

- 1 Faraday's law of electromagnetic induction is written below with **two** terms missing.

The ..... induced in a circuit is directly proportional to the rate of change of magnetic flux .....

What are the **two** missing terms?

- A current, density
- B current, linkage
- C electromotive force, density
- D electromotive force, linkage

Your answer

[1]

- 2 Monochromatic light from a laser is incident normally on a diffraction grating. A series of bright dots are formed on a distant screen.

Which **two** terms can be used to explain these bright dots?

- A diffraction, interference
- B reflection, interference
- C refraction, diffraction
- D refraction, reflection

Your answer

[1]

3

- 3 The current in a lamp is 2.0 mA. The potential difference across the lamp is 6.0 V.

What is the energy transfer in the lamp over a period of 3.0 hours?

- A 0.012 J
- B 0.036 J
- C 2.16 J
- D 130 J

Your answer

[1]

- 4 The diagram below shows two oppositely charged spheres.



The magnitude of the charge on each sphere is the same.  
The point **P** is on the line joining the centres of the spheres and is the same distance from the centre of each sphere.

Which statement is correct?

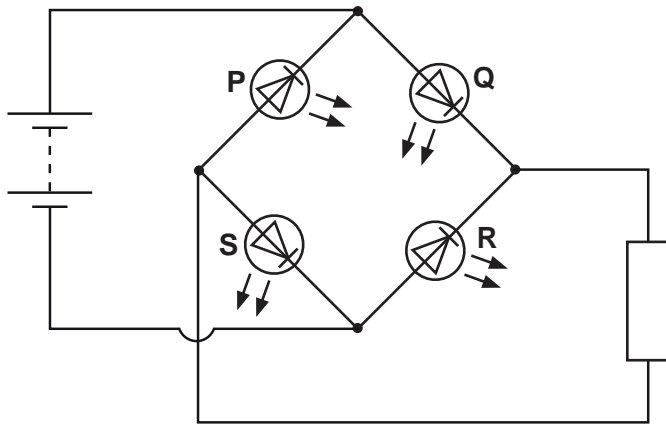
- A A negatively charged particle at **P** will move to the right.
- B The direction of the electric field at **P** is to the left.
- C The electric potential at **P** is zero.
- D The magnitude of the electric field strength at **P** is zero.

Your answer

[1]

4

5 A circuit with four light-emitting diodes (LEDs) **P**, **Q**, **R** and **S** is shown below.



**Two** LEDs are lit in this circuit. Which **two** LEDs are lit?

- A P and Q
- B P and R
- C Q and R
- D Q and S

Your answer

[1]

5

- 6 A student is modelling the decay of charge for a capacitor discharging through a resistor using the equation  $\frac{\Delta Q}{\Delta t} = -0.2Q$ .  
 The student decides to use  $\Delta t = 0.5$  s.  
 The initial charge on the capacitor is  $1000 \mu\text{C}$ .

Part of the modelling spreadsheet from the student is shown below.

$t/\text{s}$	Charge $Q$ left on capacitor at time $t/\mu\text{C}$	Charge $\Delta Q$ decaying in the next $0.5$ s/ $\mu\text{C}$
0	1000	100
0.5	900	
1.0		
1.5		

What is the value of  $Q$  in  $\mu\text{C}$  at  $t = 1.5$  s?

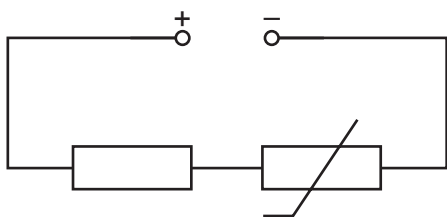
- A 700  
 B 720  
 C 729  
 D 800

Your answer

[1]

6

- 7 A circuit with a thermistor is shown below.



The resistance of the resistor is  $R$  and the resistance of the thermistor is  $2.5R$ .  
The potential difference (p.d.) across the thermistor is  $5.0\text{V}$ .

What is the total p.d. across both components?

- A  $2.0\text{V}$
- B  $7.0\text{V}$
- C  $12.5\text{V}$
- D  $17.5\text{V}$

Your answer

[1]

- 8 A double-slit is used in an interference experiment to independently investigate the light from two sources **K** and **L**. The light from the sources have different wavelengths.  
The table below shows some data.

Light source	Wavelength of light	Separation between adjacent bright fringes	Distance between screen and double-slit
<b>K</b>	$\lambda$	$1.2\text{mm}$	$D$
<b>L</b>	$0.80\lambda$		$0.50D$

What is the separation between adjacent bright fringes for source **L**?

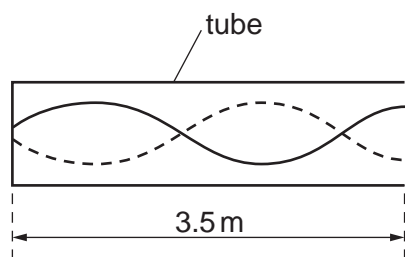
- A  $0.48\text{mm}$
- B  $1.2\text{mm}$
- C  $1.9\text{mm}$
- D  $3.0\text{mm}$

Your answer

[1]

7

- 9 A stationary sound wave formed in a tube is shown below.



The tube is closed at one end. The length of the tube is 3.5 m.  
The speed of sound is  $340 \text{ m s}^{-1}$ .

What is the frequency of the sound wave?

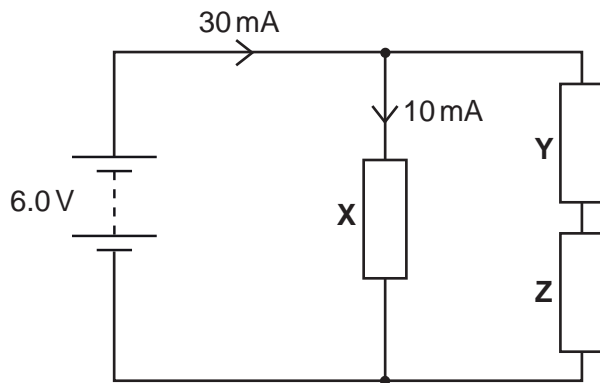
- A 97 Hz
- B 120 Hz
- C 240 Hz
- D 486 Hz

Your answer

[1]

8

- 10 A battery of electromotive force (e.m.f) 6.0V and of negligible internal resistance is used in the circuit below.



The current from the battery is 30 mA. The current in the resistor **X** is 10 mA. The resistors **Y** and **Z** are identical.

What is the power dissipated in the resistor **Z**?

- A 30mW
- B 60mW
- C 120mW
- D 180mW

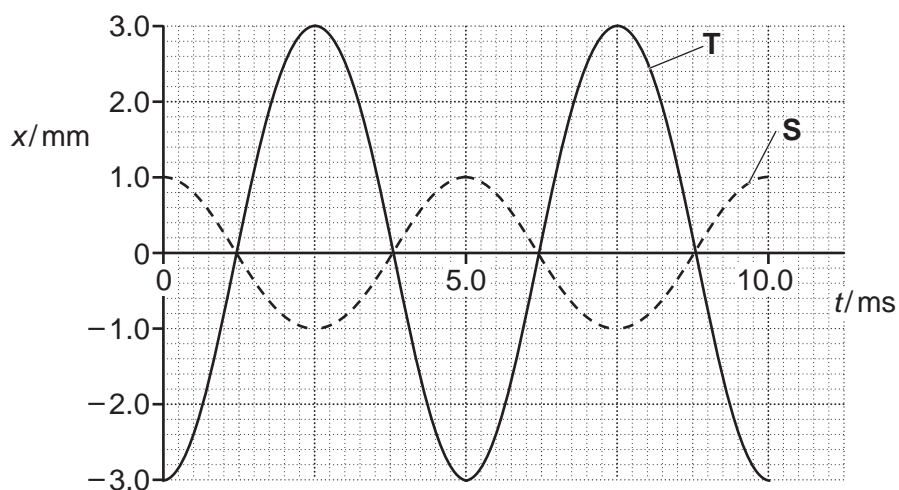
Your answer

[1]



9

- 11 The diagram below shows the graphs of displacement  $x$  against time  $t$  for two waves **S** and **T**.



The waves meet at a point in space.

The superposition of these two waves produces a resultant wave.

What is the frequency  $f$  and the amplitude  $A$  of the resultant wave?

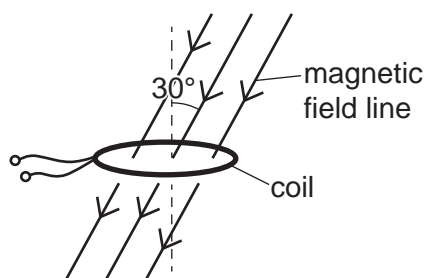
- A  $f = 100\text{Hz}$ ,  $A = 2.0\text{ mm}$
- B  $f = 100\text{Hz}$ ,  $A = 4.0\text{ mm}$
- C  $f = 200\text{Hz}$ ,  $A = 2.0\text{ mm}$
- D  $f = 200\text{Hz}$ ,  $A = 4.0\text{ mm}$

Your answer

[1]

## 10

- 12 A flat coil has 200 turns and a cross-sectional area of  $1.20 \times 10^{-4} \text{ m}^2$ .



The coil is placed horizontally in a uniform magnetic field. The magnetic flux density is  $0.050 \text{ T}$ . The magnetic field is at an angle of  $30.0^\circ$  to the vertical.

What is the magnetic flux linkage for this coil?

- A  $3.00 \times 10^{-6} \text{ Wb}$
- B  $5.20 \times 10^{-6} \text{ Wb}$
- C  $6.00 \times 10^{-4} \text{ Wb}$
- D  $1.04 \times 10^{-3} \text{ Wb}$

Your answer

[1]

- 13 The nucleus of thorium-232 ( ${}_{90}^{232}\text{Th}$ ) emits two alpha particles and two beta-minus particles to become a nucleus of an isotope of radium.

What is the nucleon number  $A$  and the proton number  $Z$  for the nucleus of this radium isotope?

- A  $A = 224, Z = 88$
- B  $A = 228, Z = 86$
- C  $A = 224, Z = 84$
- D  $A = 228, Z = 88$

Your answer

[1]

- 14 A beam of ultrasound is incident normally at a boundary between two tissues **F** and **G**.

The table below shows some data on the two tissues.

	<b>Tissue F</b>	<b>Tissue G</b>
<b>Density of tissue</b>	$\rho$	$1.2\rho$
<b>Speed of ultrasound in tissue</b>	$c$	$1.5c$

What percentage of the intensity of the ultrasound is reflected at the boundary?

- A 0.83%
- B 8.2%
- C 9.1%
- D 29%

Your answer

[1]

- 15 A radiation detector is placed in front of a beta-emitting source. The count-rate is measured and recorded every 10 minutes. The results are shown below.

311 s<sup>-1</sup>      309 s<sup>-1</sup>      299 s<sup>-1</sup>      307 s<sup>-1</sup>      321 s<sup>-1</sup>

What term can be used to describe the data shown?

- A exponential
- B linear
- C random
- D spontaneous

Your answer

[1]

12

## SECTION B

Answer **all** the questions.

16 (a) The normal frequency range of hearing for young people is from 20 Hz to 20 kHz.

(i) The speed of sound in air is  $340 \text{ ms}^{-1}$ .

Calculate the **shortest** wavelength a young person can hear.

wavelength = ..... m [2]

(ii) Describe how you can use an oscilloscope, and other additional laboratory equipment, to determine the actual upper limit of the frequency range for a young person.

.....

.....

.....

.....

.....

.....

.....

.....

.....

..... [3]

13

- (b) State **one** difference and **one** similarity between the **oscillations** of a stationary sound wave and a progressive sound wave.

Difference: .....

.....

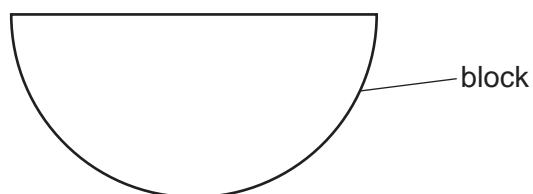
Similarity: .....

.....

[2]

- (c) You are provided with a ray-box, a semi-circular block of plastic and other normal laboratory equipment.

The outline of the block is shown below.



Describe how you could measure the refractive index  $n$  of the block using the critical angle method. Draw on the diagram and label it to make your answer clear.

.....

.....

.....

.....

.....

.....

..... [3]

17 (a) Define the **work function** of a metal.

.....  
..... [1]

(b) The work function of potassium is 2.3 eV.

(i) Potassium emits electrons from its surface when blue light is incident on it. Extremely intense red light produces no electrons.

Explain these observations in terms of photons and their energy.

.....  
.....  
.....  
.....  
.....  
.....  
.....  
..... [4]

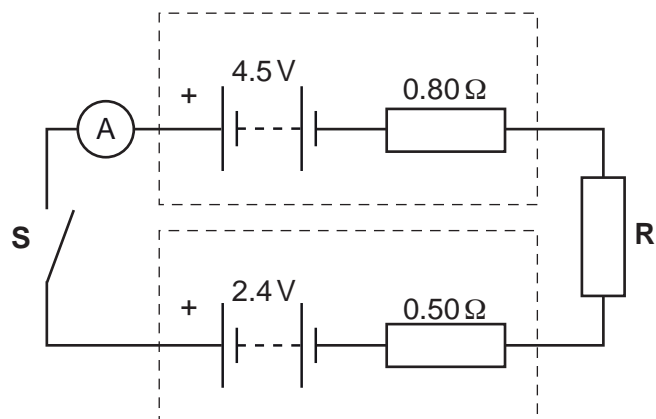
(ii) Light from a laser is incident on some potassium in a vacuum. Electrons are emitted. The wavelength of the light is 320 nm.

Calculate the shortest de Broglie wavelength of the emitted electrons.

de Broglie wavelength = ..... m [4]

15

18 (a) The circuit diagram of an electrical circuit is shown below.



The positive terminals of the batteries are connected together.  
 One battery has electromotive force (e.m.f.) 4.5 V and internal resistance  $0.80\ \Omega$ .  
 The other battery has e.m.f. 2.4 V and internal resistance  $0.50\ \Omega$ .  
**R** is a coil of insulated wire of resistance  $1.2\ \Omega$  at room temperature.

The switch **S** is closed.

- (i) On the diagram, draw an arrow to show the direction of the conventional current. [1]
- (ii) Calculate the current  $I$  shown by the ammeter.

$$I = \dots\dots\dots \text{ A [3]}$$

16

- (iii) The insulated wire has diameter  $4.6 \times 10^{-4}$  m.  
The number density of charge carriers in **R** is  $4.2 \times 10^{28} \text{ m}^{-3}$ .

Calculate the mean drift velocity  $v$  of the charge carriers in **R**.

$$v = \dots\dots\dots \text{ m s}^{-1} \text{ [2]}$$

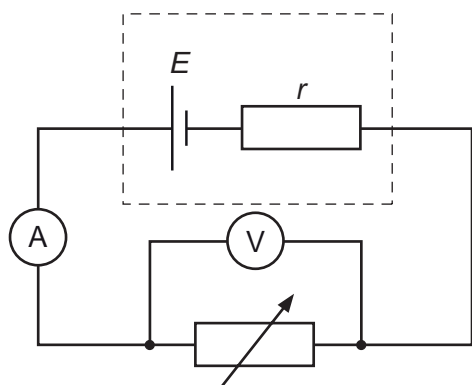
- (iv) The current measured by the ammeter is smaller than that calculated in (ii). This is because the temperature of **R** increased due to heating by the current.

Without any changes to the circuit itself, state and explain what practically can be done to make the measured current the same as the calculated current..

.....  
 .....  
 ..... [2]

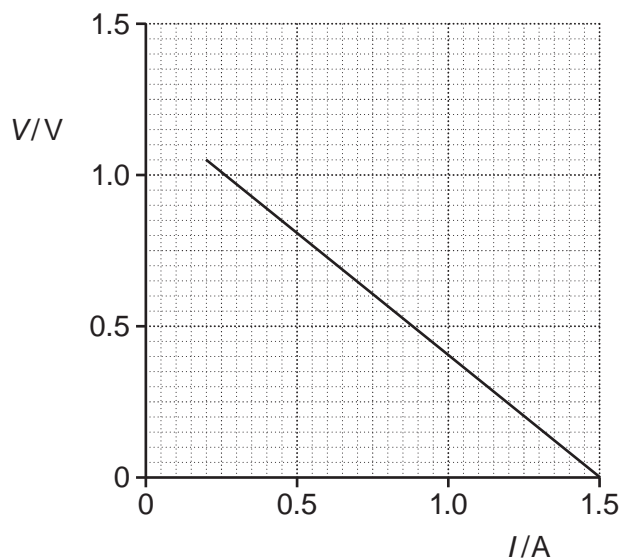


(b)\* A student is doing an experiment to determine the e.m.f.  $E$  of a cell and its internal resistance  $r$ . The circuit diagram of the arrangement is shown below.



The student changes the resistance of the variable resistor. The potential difference  $V$  across the variable resistor and the current  $I$  in the circuit are measured.

The  $V$  against  $I$  graph plotted by the student is shown below.



$V/V$	$I/A$	$R/\Omega$	$P/W$
0.20	1.25		
0.40	1.00		
0.60	0.75		
0.80	0.50		
1.00	0.25		

There is an incomplete table next to the graph.

$R$  is the resistance of the variable resistor and  $P$  is the power dissipated by the variable resistor.

- Use the graph to determine  $E$  and  $r$ . Explain your reasoning.
- Calculate  $R$  and  $P$  to complete the table. Describe how  $P$  depends on  $R$ .

[6]

.....

.....

.....

.....

.....

.....

.....

.....

.....

.....

.....

.....

.....

.....

.....

.....

.....

.....

.....

.....

.....

.....

.....

.....

.....

.....

Additional answer space if required

.....

.....

.....

.....

.....

.....

.....

.....

.....

.....

.....

.....

.....

.....

.....

.....

.....

.....

.....

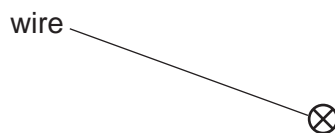
.....

.....

.....

19

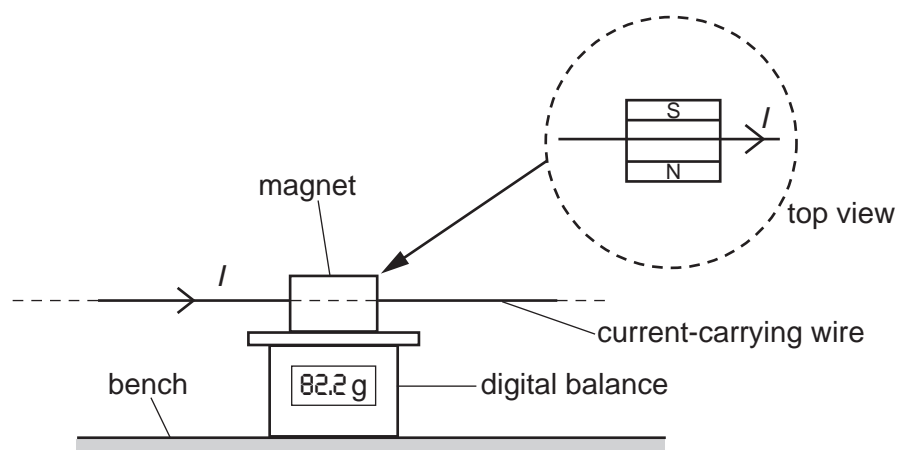
19 (a) The diagram below shows the top-view of a long current-carrying wire.



The direction of the current in the wire is into the plane of the paper.

Draw at least **three** field lines to indicate the magnetic field pattern around this wire. [2]

(b) The arrangement shown in the diagram below is used to determine the magnetic flux density between the poles of a permanent magnet.



The magnet is placed on the digital balance. The current-carrying wire is horizontal and at right angles to the magnetic field between the poles of the magnet. The wire is fixed.

The following results are collected.

- length of the wire in the uniform field of the magnet =  $6.0 \pm 0.2$  cm
- balance reading with no current in wire = 80.0 g
- balance reading with current in wire = 82.2 g
- current in wire =  $5.0 \pm 0.1$  A

**20**

Calculate the magnetic flux density  $B$ , including the absolute uncertainty.

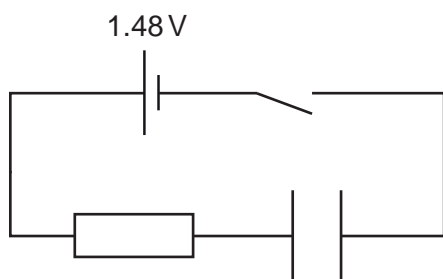
Ignore the absolute uncertainty in the balance readings.

Write your value for  $B$  to **2** significant figures and the absolute uncertainty to **1** significant figure.

$B = \dots\dots\dots \pm \dots\dots\dots \text{ T [4]}$

21

20 (a) The diagram below shows a circuit to charge a capacitor.

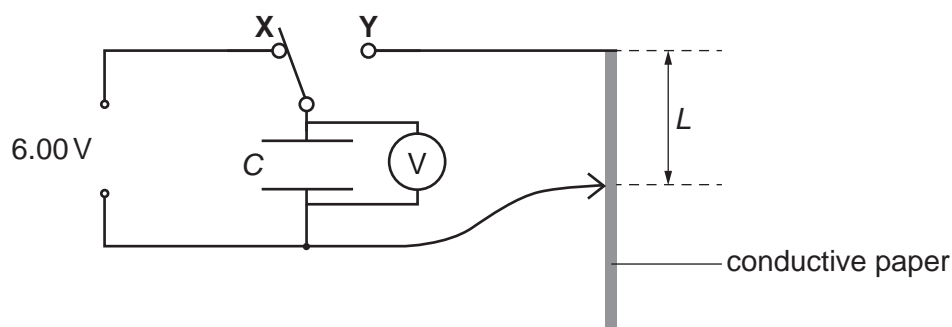


The electromotive force (e.m.f.)  $E$  of the cell is  $1.48\text{ V}$  and it has negligible internal resistance. The resistance of the resistor is  $120\text{ k}\Omega$  and the capacitance of the capacitor is  $2000\text{ }\mu\text{F}$ . At time  $t = 0$  the capacitor is uncharged. The switch is closed at time  $t = 0$ .

Calculate the time  $t$  when the potential difference across the capacitor is  $1.00\text{ V}$ .

$t = \dots\dots\dots\text{ s [4]}$

(b) A capacitor of capacitance  $C$  is connected across a strip of conductive paper.



The switch is moved from X to Y, and the time  $t$  for the potential difference across the capacitor to halve is measured.

The time  $t$  is given by the expression

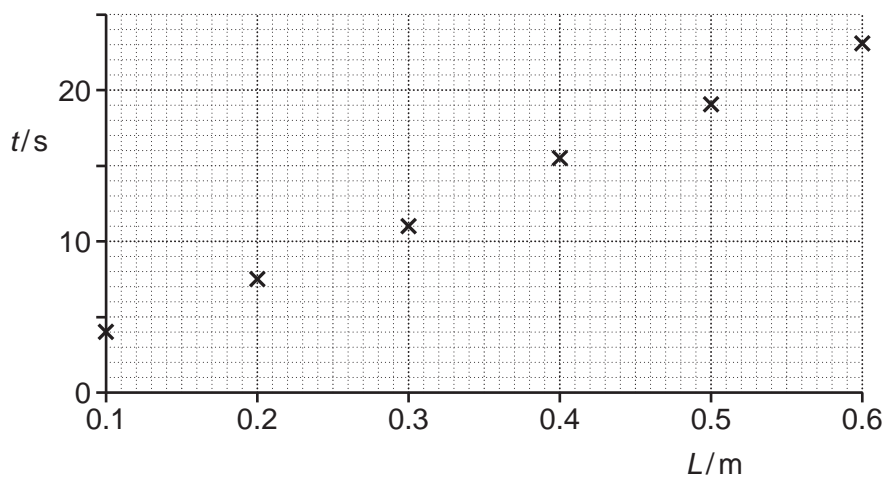
$$t = (Ck \ln 2) \times L$$

where  $k$  is the resistance of the conductive paper per unit length and  $L$  is the length of the conductive paper.

The value of  $C$  is  $1.2 \times 10^{-3}$  F.

In an experiment,  $L$  is changed and  $t$  measured.

The data points are plotted on a  $t$  against  $L$  grid as shown below.



23

Draw a straight line of best fit through the data points, and use the gradient of this line to determine  $k$ .

$k = \dots\dots\dots \Omega \text{ m}^{-1}$  [4]

- 21 (a) A high-energy X-ray photon interacts with an electron of an atom through the **Compton effect**.

Describe this effect.

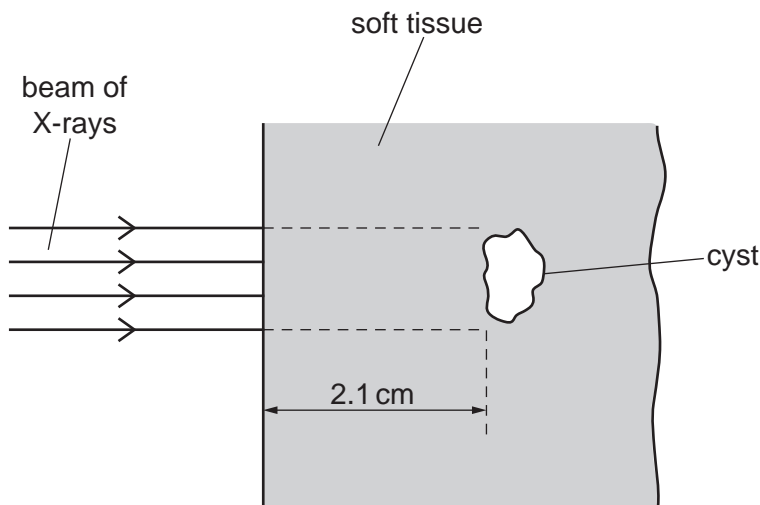
.....

.....

.....

..... [2]

- (b) The diagram below shows a beam of X-rays incident normally on some soft tissue.



The attenuation (absorption) constant of the soft tissue is  $0.85 \text{ cm}^{-1}$ .  
 The intensity of the beam is  $4.6 \times 10^3 \text{ W m}^{-2}$ .  
 There is a small cyst 2.1 cm from the surface of the soft tissue. The cross-sectional area of the cyst normal to the beam is  $3.4 \times 10^{-4} \text{ m}^2$ .

The beam is switched on for 30 s.

Calculate the X-ray energy incident on the cyst in a period of 30 s.

energy = ..... J [4]



(c) The attenuation coefficients of the cyst and the soft tissues in (b) were similar. This prevented imaging the cyst using a two-dimensional X-ray image.

Name a different X-ray technique that could be used to image the cyst. Explain the advantage of this technique.

.....  
.....  
..... [2]

22 The medical tracer fluorine-18 is used in positron emission tomography (PET). Fluorine-18 is a beta-plus emitter with a short half-life.

Describe how the fluorine-18 nuclei are located in a patient using a PET scanner.

.....  
.....  
.....  
.....  
.....  
.....  
.....  
.....  
.....  
.....  
.....  
..... [4]



.....

.....

.....

Additional answer space if required

.....

.....

.....

.....

.....

.....

.....

.....

.....

28

24 (a) Fig. 24 shows two horizontal metal plates in a vacuum.

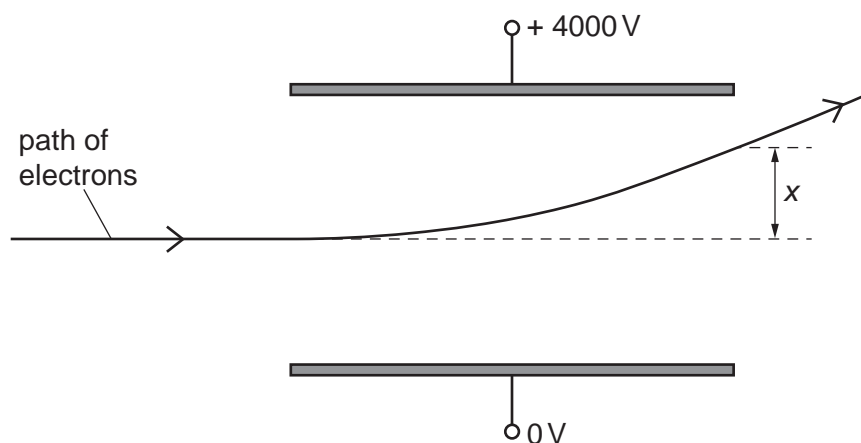


Fig. 24

The diagram is **not** drawn to scale.

Electrons travelling horizontally enter the space between the charged plates and are deflected vertically.

The potential difference between the plates is 4000 V.

The distance between the plates is 0.08 m.

The initial speed of the electrons is  $6.0 \times 10^7 \text{ m s}^{-1}$ .

The vertical deflection of the electrons at the far end of the plates is  $x$ .

(i) Show that the vertical acceleration  $a$  of an electron between the plates is  $8.8 \times 10^{15} \text{ m s}^{-2}$ .

[3]

(ii) The length of each plate is 0.12 m.

Show that the time  $t$  taken by the electron to travel this length is  $2.0 \times 10^{-9} \text{ s}$ .

[1]



## 30

- 25 (a) A researcher is doing an experiment on a radioactive solution in a thin **glass** tube. The solution has two radioactive materials **X** and **Y**. The table below shows some data on these two materials.

	Material X	Material Y
Half-life	10 minutes	10 hours
Particles emitted	Alpha	Beta-minus
Daughter nuclei	Stable	Stable

The solution has the same number of nuclei of **X** and **Y** at the start.

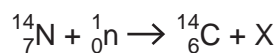
- (i) State and explain which material has the greatest activity at the start.

.....  
 ..... [1]

- (ii) State why it is dangerous for the researcher to handle the test tube with bare hands.

.....  
 ..... [1]

- (b) Carbon-14 ( $^{14}_6\text{C}$ ) is produced in the upper atmosphere of the Earth by collisions between nitrogen nuclei and fast-moving neutrons. The nuclear transformation equation below shows the formation of a single carbon-14 nucleus.



- (i) State the proton number of particle X.

proton number = ..... [1]

31

(ii) Use the data below to determine the binding energy per nucleon of the  ${}^{14}_6\text{C}$  nucleus. Write your answer to **3** significant figures.

- mass of neutron =  $1.675 \times 10^{-27}$  kg
- mass of proton =  $1.673 \times 10^{-27}$  kg
- mass of  ${}^{14}_6\text{C}$  nucleus = 14.000 u
- $1 \text{ u} = 1.66 \times 10^{-27}$  kg

binding energy per nucleon = ..... J per nucleon **[4]**

**END OF QUESTION PAPER**

**ADDITIONAL ANSWER SPACE**

If additional space is required, you should use the following lined page(s). The question number(s) must be clearly shown in the margin(s).

A large rectangular area with a solid vertical line on the left side and horizontal dotted lines across the rest of the page, providing space for writing answers.



**Copyright Information**

OCR is committed to seeking permission to reproduce all third-party content that it uses in its assessment materials. OCR has attempted to identify and contact all copyright holders whose work is used in this paper. To avoid the issue of disclosure of answer-related information to candidates, all copyright acknowledgements are reproduced in the OCR Copyright Acknowledgements Booklet. This is produced for each series of examinations and is freely available to download from our public website ([www.ocr.org.uk](http://www.ocr.org.uk)) after the live examination series. If OCR has unwittingly failed to correctly acknowledge or clear any third-party content in this assessment material, OCR will be happy to correct its mistake at the earliest possible opportunity.

For queries or further information please contact The OCR Copyright Team, The Triangle Building, Shaftesbury Road, Cambridge CB2 8EA.

OCR is part of the Cambridge Assessment Group; Cambridge Assessment is the brand name of University of Cambridge Local Examinations Syndicate (UCLES), which is itself a department of the University of Cambridge.