

Write your name here

Surname

Other names

Pearson Edexcel
International
Advanced Level

Centre Number

| | | | | | |
|--|--|--|--|--|--|
| | | | | | |
|--|--|--|--|--|--|

Candidate Number

| | | | | |
|--|--|--|--|--|
| | | | | |
|--|--|--|--|--|

Physics

Advanced

Unit 5: Physics from Creation to Collapse

Wednesday 17 January 2018 – Afternoon

Time: 1 hour 35 minutes

Paper Reference

WPH05/01

You must have:

Ruler

Total Marks

Instructions

- Use **black** ink or ball-point pen.
- **Fill in the boxes** at the top of this page with your name, centre number and candidate number.
- Answer **all** questions.
- Answer the questions in the spaces provided
– *there may be more space than you need.*

Information

- The total mark for this paper is 80.
- The marks for **each** question are shown in brackets
– *use this as a guide as to how much time to spend on each question.*
- Questions labelled with an **asterisk** (*) are ones where the quality of your written communication will be assessed
– *you should take particular care with your spelling, punctuation and grammar, as well as the clarity of expression, on these questions.*
- The list of data, formulae and relationships is printed at the end of this booklet.
- Candidates may use a scientific calculator.

Advice

- Read each question carefully before you start to answer it.
- Try to answer every question.
- Check your answers if you have time at the end.

Turn over ►

P51944A

©2018 Pearson Education Ltd.

1/1/1/1/



Pearson

SECTION A

Answer ALL questions.

For questions 1–10, in Section A, select one answer from A to D and put a cross in the box . If you change your mind, put a line through the box and then mark your new answer with a cross .

- 1 Which of the following statements about the absolute zero of temperature is correct?
- A It is the temperature of deep space.
 - B It is the temperature at which water becomes ice.
 - C It is the lowest temperature yet reached in a laboratory.
 - D It is the temperature at which the internal energy of an ideal gas would be least.

(Total for Question 1 = 1 mark)

- 2 A gas consists of a mixture of nitrogen and oxygen molecules. Oxygen molecules are more massive than nitrogen molecules.

Which of the following statements is correct?

- A On average all the molecules have the same speed.
- B On average all the molecules have the same kinetic energy.
- C On average a nitrogen molecule has more kinetic energy than an oxygen molecule.
- D On average the speed of the nitrogen molecules is less than the speed of the oxygen molecules.

(Total for Question 2 = 1 mark)

- 3 A mass is hung from a spring and set into vertical oscillation of amplitude x_0 . The total energy of oscillation is E_0 .

Which of the following expressions gives the total energy of oscillation E when the

amplitude has reduced to $\frac{1}{2}x_0$?

- A $E = 4E_0$
- B $E = 2E_0$
- C $E = \frac{1}{2}E_0$
- D $E = \frac{1}{4}E_0$

(Total for Question 3 = 1 mark)

DO NOT WRITE IN THIS AREA

DO NOT WRITE IN THIS AREA

DO NOT WRITE IN THIS AREA



DO NOT WRITE IN THIS AREA

- 4 A brass ring and a gold ring are supplied with the same amount of thermal energy. The brass ring is half the mass of the gold ring, and the specific heat capacity of brass is 3 times that of gold.

Which of the following is the ratio $\frac{\text{temperature rise of brass ring}}{\text{temperature rise of gold ring}}$?

- A $\frac{1}{6}$
- B $\frac{2}{3}$
- C $\frac{3}{2}$
- D 6

(Total for Question 4 = 1 mark)

- 5 A technician is planning to use a radioactive source to check the calibration of a radiation counter. The source should have a large rate of decay.

Select the row in the table which would result in the largest rate of decay.

| | Number of unstable nuclei in source | Half-life of source |
|----------------------------|-------------------------------------|---------------------|
| <input type="checkbox"/> A | small | short |
| <input type="checkbox"/> B | small | long |
| <input type="checkbox"/> C | large | short |
| <input type="checkbox"/> D | large | long |

(Total for Question 5 = 1 mark)

DO NOT WRITE IN THIS AREA



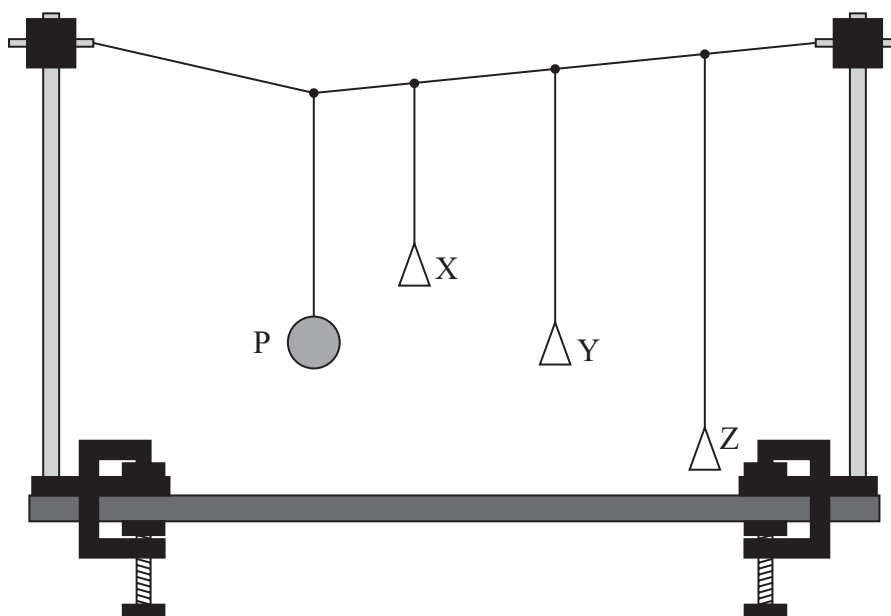
- 6 The distances to two stars are being determined using trigonometric parallax. The radiation flux from star P is greater than that from star Q, and the parallax angle for star P is greater than that of star Q.

Which of the following is a correct deduction about the stars?

- A Star P has a greater luminosity than star Q.
- B Star P has the same luminosity as star Q.
- C Star P is closer than star Q.
- D Star P is the same distance from the Earth as star Q.

(Total for Question 6 = 1 mark)

- 7 The diagram shows three light pendulums X, Y and Z being driven into oscillation by a heavy pendulum P. The time period of a pendulum increases with the pendulum length.



Which of the following statements is correct?

- A X has the largest amplitude.
- B Y has the largest amplitude.
- C Z has the largest amplitude.
- D X, Y and Z have the same amplitude.

(Total for Question 7 = 1 mark)

DO NOT WRITE IN THIS AREA

DO NOT WRITE IN THIS AREA

DO NOT WRITE IN THIS AREA



DO NOT WRITE IN THIS AREA

DO NOT WRITE IN THIS AREA

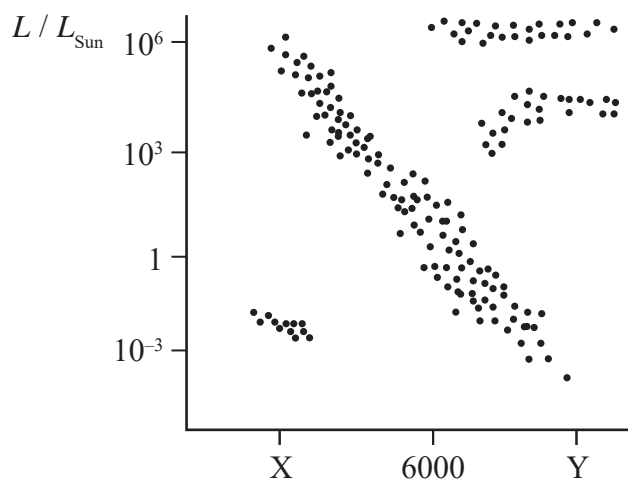
DO NOT WRITE IN THIS AREA

8 Astrophysicists have determined a value for the age of the universe using

- A the cosmic background radiation.
- B the gravitational constant.
- C a Hertzsprung-Russell diagram.
- D the Hubble constant.

(Total for Question 8 = 1 mark)

9 The temperature scale on the Hertzsprung-Russell diagram shown below is not complete.



Select the row in the table which gives possible values for X and Y.

- A
- B
- C
- D

| | X / K | Y / K |
|---|--------|--------|
| A | 3000 | 9000 |
| B | 3000 | 12 000 |
| C | 9000 | 3000 |
| D | 12 000 | 3000 |

(Total for Question 9 = 1 mark)



10 Some buildings are designed to withstand earthquakes. The energy from the earthquake waves is dissipated by deforming some parts of the building.

For this to be effective, these parts of the building must be

- A able to undergo elastic deformation.
- B able to undergo plastic deformation.
- C stiff under compressive forces.
- D strong under compressive forces.

(Total for Question 10 = 1 mark)

TOTAL FOR SECTION A = 10 MARKS

DO NOT WRITE IN THIS AREA

DO NOT WRITE IN THIS AREA

DO NOT WRITE IN THIS AREA



DO NOT WRITE IN THIS AREA

DO NOT WRITE IN THIS AREA

DO NOT WRITE IN THIS AREA

BLANK PAGE



SECTION B

Answer ALL questions in the spaces provided.

- 11 A line in the hydrogen spectrum from a laboratory source has a wavelength of 486 nm. In the spectrum of light received from a distant galaxy this line appears at a wavelength of 507 nm.

Determine the velocity of the galaxy.

(3)

Velocity of galaxy =

(Total for Question 11 = 3 marks)

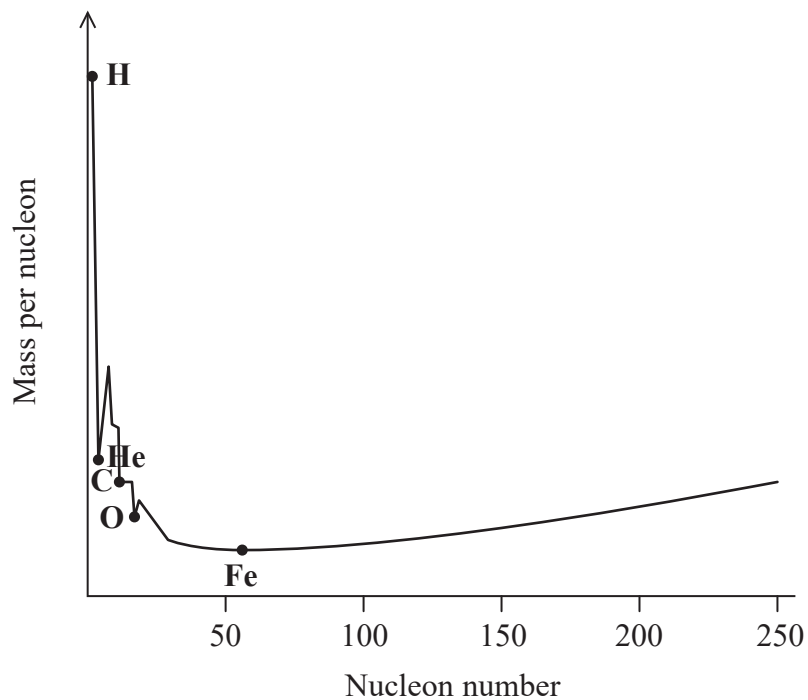
DO NOT WRITE IN THIS AREA

DO NOT WRITE IN THIS AREA

DO NOT WRITE IN THIS AREA



(b) The graph shows how the mass per nucleon varies for a range of nuclei.



(i) Explain, using the graph, how a fusion process is able to release energy. (2)

.....

.....

.....

.....

(ii) Explain, using the graph, a limitation to the elements suitable for fusion. (2)

.....

.....

.....

.....

(Total for Question 13 = 8 marks)

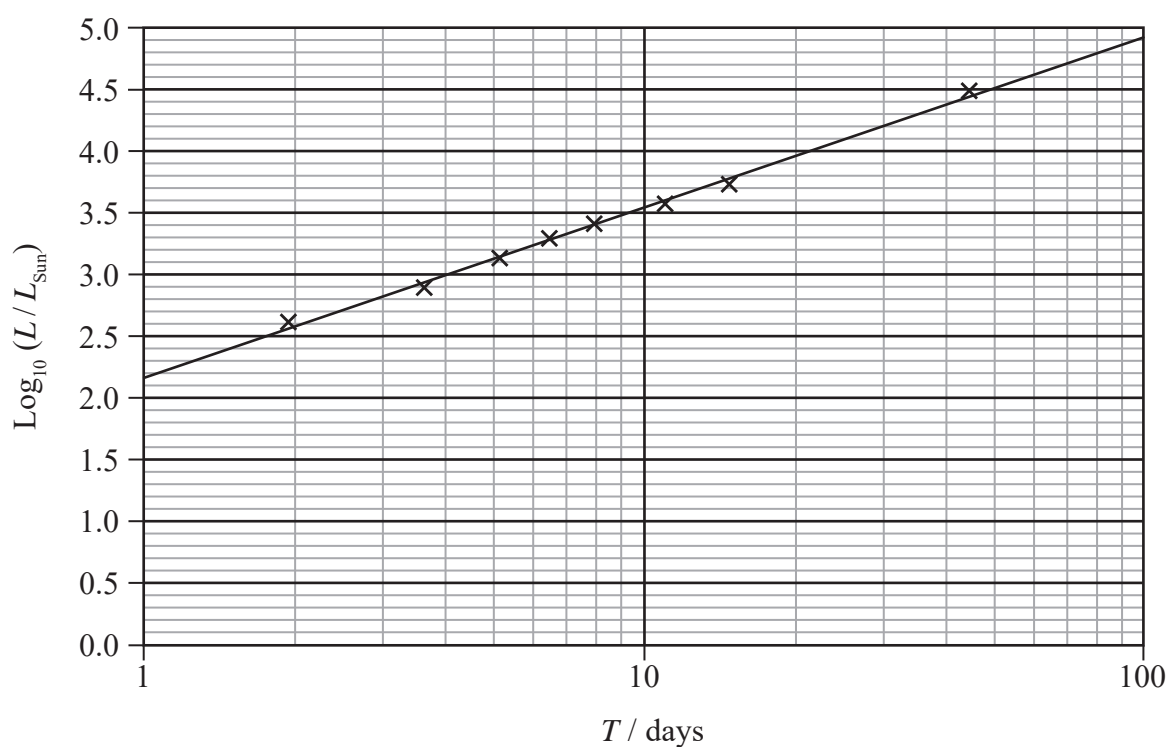


14 Cepheid variable stars can be used as standard candles.

(a) State what is meant by a standard candle.

(1)

(b) The graph shows how the luminosity L of one type of Cepheid variable star depends upon the period T of variation in its luminosity.



(i) A Cepheid variable star is identified in the Andromeda galaxy with a period of 3.0 days.

Use the graph to show that the luminosity of this star is about 2×10^{29} W.

(3)

$$L_{\text{Sun}} = 3.85 \times 10^{26} \text{ W}$$

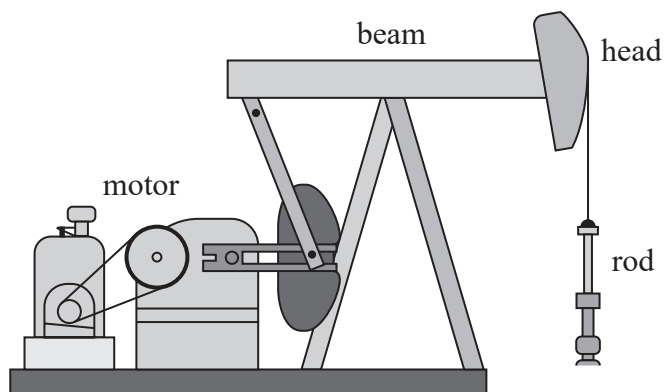
DO NOT WRITE IN THIS AREA

DO NOT WRITE IN THIS AREA

DO NOT WRITE IN THIS AREA



15 The photograph and diagram show a “nodding donkey” used to pump oil from the ground.



The motor raises and lowers one end of the beam, causing the head of the beam to move with simple harmonic motion. The head is attached to a metal rod that moves up and down, operating a pump deep in an oil well.

(a) State what is meant by simple harmonic motion.

(2)

.....

.....

.....

.....

.....

(b) The motor takes 7.4 s for one complete cycle.

(i) Show that the angular velocity of the motor is about 0.8 rad s^{-1} .

(2)

.....

.....

.....

.....

.....

DO NOT WRITE IN THIS AREA

DO NOT WRITE IN THIS AREA

DO NOT WRITE IN THIS AREA



(ii) The head of the beam moves with an amplitude of 22 cm.

Calculate the maximum velocity of the head.

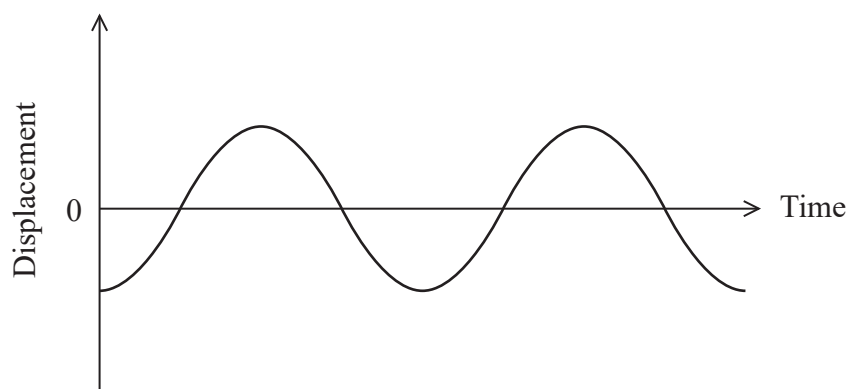
(2)

Maximum velocity of head =

(iii) The graph shows how the displacement varies with time for two complete cycles.

Add a line to the graph to show the corresponding variation of velocity with time.

(2)



(Total for Question 15 = 8 marks)

DO NOT WRITE IN THIS AREA

DO NOT WRITE IN THIS AREA

DO NOT WRITE IN THIS AREA



DO NOT WRITE IN THIS AREA

DO NOT WRITE IN THIS AREA

DO NOT WRITE IN THIS AREA

BLANK PAGE



16 Sirius is a binary star system 8.1×10^{16} m from Earth. Sirius A is a main sequence star and the brightest star in the night sky. Sirius B is a white dwarf star.

(a) State what is meant by a main sequence star.

(1)

(b) Explain why it is appropriate for stars such as Sirius B to be called white dwarf stars.

(2)

(c) The two stars in the binary system were formed at roughly the same time.

Explain how we can deduce that Sirius B was initially much more massive than Sirius A.

(5)

(Total for Question 16 = 8 marks)

DO NOT WRITE IN THIS AREA

DO NOT WRITE IN THIS AREA

DO NOT WRITE IN THIS AREA



17 Jupiter is the most massive planet in the solar system. In 2016 the spacecraft Juno completed a five-year mission to Jupiter. Juno is currently orbiting Jupiter with a period of 14 days.

(a) Calculate the radius of Juno's orbit about Jupiter.

(3)

mass of Jupiter = 1.9×10^{27} kg
 1 day = 86 400 s

.....

.....

.....

.....

.....

.....

.....

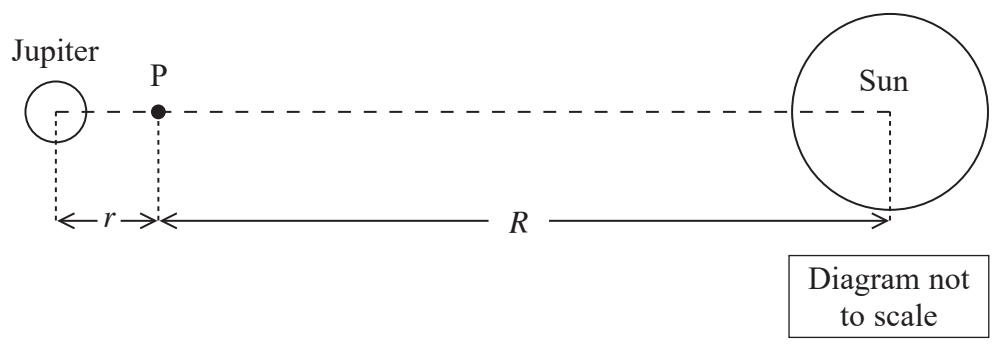
.....

.....

.....

Radius of orbit =

(b) The diagram shows Jupiter and the Sun. A point where the gravitational field strength of the Sun is equal and opposite to the gravitational field strength of Jupiter is labelled P.



The mass of the Sun is M_s . The mass of Jupiter is M_J . The gravitational constant is G .

(i) State expressions for the gravitational field strength of the Sun g_s at point P and the gravitational field strength of Jupiter g_J at point P.

(2)

$g_s =$

$g_J =$



(ii) Show that the ratio $\frac{R}{r}$ is about 30.

(2)

$$M_s = 2.0 \times 10^{30} \text{ kg}$$

(iii) Hence calculate r .

The distance from the centre of Jupiter to the centre of the Sun is $7.8 \times 10^8 \text{ km}$.

(2)

$$r = \dots\dots\dots$$

(c) One function of Juno is to monitor the temperature of Jupiter's atmosphere. At the top of the atmosphere the temperature can reach 725°C .

Determine the type of electromagnetic radiation that the instruments in Juno must be sensitive to. Your answer should include a calculation.

(3)

(Total for Question 17 = 12 marks)



18 Radon is a naturally occurring radioactive gas, mainly produced in areas rich in granite. In the open air radon causes no problems, but it can seep into buildings from the ground and reach dangerous concentrations.

(a) Radon-222 decays to polonium by emitting α -particles.

(i) Complete the nuclear equation for the decay of a radon-222 nucleus.

(2)



(ii) Give two reasons why radon gas is particularly dangerous.

(2)

.....

.....

.....

.....

(b) The total kinetic energy of the α -particle and the polonium nucleus is 5.59 MeV.

Calculate the mass difference in kg between a nucleus of radon-222 and its products in the decay.

(3)

.....

.....

.....

.....

.....

.....

.....

Mass difference = kg

DO NOT WRITE IN THIS AREA

DO NOT WRITE IN THIS AREA

DO NOT WRITE IN THIS AREA



- (c) In some homes the activity from the decaying radon can be as high as 1000 Bq for each cubic metre of air.

Radon-222 has a half-life of 3.30×10^5 s.

- (i) Calculate the number of radon-222 nuclei in a cubic metre of air with an activity of 950 Bq.

(3)

Number of radon-222 nuclei =

- (ii) It is recommended that radon levels should be reduced in homes where the average activity per cubic metre of air is greater than 200 Bq.

Calculate the time taken for the activity of radon in a sample to decrease from 950 Bq to 200 Bq.

(3)

Time taken for the activity to decrease =

DO NOT WRITE IN THIS AREA

DO NOT WRITE IN THIS AREA

DO NOT WRITE IN THIS AREA



- (iii) The risk to people increases as the concentration of radon gas in the home increases. However, about 90 per cent of deaths caused from exposure to radon gas occur in homes where the activity per cubic metre of air is less than 200 Bq.

Suggest why this is the case.

(1)

.....

.....

.....

.....

DO NOT WRITE IN THIS AREA

DO NOT WRITE IN THIS AREA

DO NOT WRITE IN THIS AREA

- (d) A sample of radon gas is placed in a sealed container and its initial activity is measured. A student calculates a value for the activity inside the container after a time equal to two half-lives. However, a measurement of the activity inside the container gives a value considerably higher than this.

Explain why the student's calculation does not agree with the measurement.

(2)

.....

.....

.....

.....

(Total for Question 18 = 16 marks)

TOTAL FOR SECTION B = 70 MARKS

TOTAL FOR PAPER = 80 MARKS



List of data, formulae and relationships

| | | |
|------------------------------|---|----------------------------|
| Acceleration of free fall | $g = 9.81 \text{ m s}^{-2}$ | (close to Earth's surface) |
| Boltzmann constant | $k = 1.38 \times 10^{-23} \text{ J K}^{-1}$ | |
| Coulomb's law constant | $k = 1/4\pi\epsilon_0$ $= 8.99 \times 10^9 \text{ N m}^2 \text{ C}^{-2}$ | |
| Electron charge | $e = -1.60 \times 10^{-19} \text{ C}$ | |
| Electron mass | $m_e = 9.11 \times 10^{-31} \text{ kg}$ | |
| Electronvolt | $1 \text{ eV} = 1.60 \times 10^{-19} \text{ J}$ | |
| Gravitational constant | $G = 6.67 \times 10^{-11} \text{ N m}^2 \text{ kg}^{-2}$ | |
| Gravitational field strength | $g = 9.81 \text{ N kg}^{-1}$ | (close to Earth's surface) |
| Permittivity of free space | $\epsilon_0 = 8.85 \times 10^{-12} \text{ F m}^{-1}$ | |
| Planck constant | $h = 6.63 \times 10^{-34} \text{ J s}$ | |
| Proton mass | $m_p = 1.67 \times 10^{-27} \text{ kg}$ | |
| Speed of light in a vacuum | $c = 3.00 \times 10^8 \text{ m s}^{-1}$ | |
| Stefan-Boltzmann constant | $\sigma = 5.67 \times 10^{-8} \text{ W m}^{-2} \text{ K}^{-4}$ | |
| Unified atomic mass unit | $u = 1.66 \times 10^{-27} \text{ kg}$ | |

Unit 1

Mechanics

| | |
|-------------------------------|--|
| Kinematic equations of motion | $v = u + at$ $s = ut + \frac{1}{2}at^2$ $v^2 = u^2 + 2as$ |
| Forces | $\Sigma F = ma$ $g = F/m$ $W = mg$ |
| Work and energy | $\Delta W = F\Delta s$ $E_k = \frac{1}{2}mv^2$ $\Delta E_{\text{grav}} = mg\Delta h$ |

Materials

| | |
|-----------------------|--|
| Stokes' law | $F = 6\pi\eta rv$ |
| Hooke's law | $F = k\Delta x$ |
| Density | $\rho = m/V$ |
| Pressure | $p = F/A$ |
| Young modulus | $E = \sigma/\epsilon$ where Stress $\sigma = F/A$ Strain $\epsilon = \Delta x/x$ |
| Elastic strain energy | $E_{\text{el}} = \frac{1}{2}F\Delta x$ |

DO NOT WRITE IN THIS AREA

DO NOT WRITE IN THIS AREA

DO NOT WRITE IN THIS AREA



Unit 2**Waves**Wave speed $v = f\lambda$ Refractive index ${}_1\mu_2 = \sin i / \sin r = v_1 / v_2$ **Electricity**Potential difference $V = W/Q$ Resistance $R = V/I$

Electrical power, energy and efficiency

$$P = VI$$

$$P = I^2R$$

$$P = V^2/R$$

$$W = VI t$$

$$\% \text{ efficiency} = \frac{\text{useful energy output}}{\text{total energy input}} \times 100$$

$$\% \text{ efficiency} = \frac{\text{useful power output}}{\text{total power input}} \times 100$$

Resistivity $R = \rho l/A$

Current

$$I = \Delta Q / \Delta t$$

$$I = nqvA$$
Resistors in series $R = R_1 + R_2 + R_3$ Resistors in parallel $\frac{1}{R} = \frac{1}{R_1} + \frac{1}{R_2} + \frac{1}{R_3}$ **Quantum physics**Photon model $E = hf$ Einstein's photoelectric equation $hf = \phi + \frac{1}{2}mv_{\max}^2$

DO NOT WRITE IN THIS AREA

DO NOT WRITE IN THIS AREA

DO NOT WRITE IN THIS AREA



Unit 4**Mechanics**

| | |
|---|--|
| Momentum | $p = mv$ |
| Kinetic energy of a non-relativistic particle | $E_k = p^2/2m$ |
| Motion in a circle | $v = \omega r$ $T = 2\pi/\omega$ $F = ma = mv^2/r$ $a = v^2/r$ $a = r\omega^2$ |

Fields

| | |
|----------------------------|--|
| Coulomb's law | $F = kQ_1Q_2/r^2$ where $k = 1/4\pi\epsilon_0$ |
| Electric field | $E = F/Q$ $E = kQ/r^2$ $E = V/d$ |
| Capacitance | $C = Q/V$ |
| Energy stored in capacitor | $W = \frac{1}{2}QV$ |
| Capacitor discharge | $Q = Q_0 e^{-t/RC}$ |
| In a magnetic field | $F = BIl \sin \theta$ $F = Bqv \sin \theta$ $r = p/BQ$ |
| Faraday's and Lenz's laws | $\epsilon = -d(N\phi)/dt$ |

Particle physics

| | |
|-----------------------|---------------------------|
| Mass-energy | $\Delta E = c^2 \Delta m$ |
| de Broglie wavelength | $\lambda = h/p$ |

DO NOT WRITE IN THIS AREA

DO NOT WRITE IN THIS AREA

DO NOT WRITE IN THIS AREA



Unit 5*Energy and matter*

Heating $\Delta E = mc\Delta\theta$

Molecular kinetic theory $\frac{1}{2}m\langle c^2 \rangle = \frac{3}{2}kT$

Ideal gas equation $pV = NkT$

Nuclear Physics

Radioactive decay $dN/dt = -\lambda N$

$$\lambda = \ln 2/t_{1/2}$$

$$N = N_0 e^{-\lambda t}$$

Mechanics

Simple harmonic motion

$$a = -\omega^2 x$$

$$a = -A\omega^2 \cos \omega t$$

$$v = -A\omega \sin \omega t$$

$$x = A \cos \omega t$$

$$T = 1/f = 2\pi/\omega$$

Gravitational force $F = Gm_1 m_2 / r^2$

Observing the universe

Radiant energy flux $F = L/4\pi d^2$

Stefan-Boltzmann law

$$L = \sigma T^4 A$$

$$L = 4\pi r^2 \sigma T^4$$

Wien's law $\lambda_{\max} T = 2.898 \times 10^{-3} \text{ m K}$

Redshift of electromagnetic radiation $z = \Delta\lambda/\lambda \approx \Delta f/f \approx v/c$

Cosmological expansion $v = H_0 d$

DO NOT WRITE IN THIS AREA

DO NOT WRITE IN THIS AREA

DO NOT WRITE IN THIS AREA



DO NOT WRITE IN THIS AREA

DO NOT WRITE IN THIS AREA

DO NOT WRITE IN THIS AREA

BLANK PAGE



DO NOT WRITE IN THIS AREA

DO NOT WRITE IN THIS AREA

DO NOT WRITE IN THIS AREA

BLANK PAGE

