



Please write clearly in block capitals.

Centre number

--	--	--	--	--

Candidate number

--	--	--	--

Surname

---

Forename(s)

---

Candidate signature

---

# A-level PHYSICS

Paper 3

Section B    Electronics

Monday 3 June 2019

Afternoon

Time allowed: The total time for both sections of this paper is 2 hours. You are advised to spend approximately 50 minutes on this section.

## Materials

For this paper you must have:

- a pencil and a ruler
- a scientific calculator
- a Data and Formulae Booklet.

## Instructions

- Use black ink or black ball-point pen.
- Fill in the boxes at the top of this page.
- Answer **all** questions.
- You must answer the questions in the spaces provided. Do not write outside the box around each page or on blank pages.
- If you need extra space for your answer(s), use the lined pages at the end of this book. Write the question number against your answer(s).
- Do all rough work in this book. Cross through any work you do not want to be marked.
- Show all your working.

For Examiner's Use

Question	Mark
1	
2	
3	
4	
5	
<b>TOTAL</b>	

## Information

- The marks for questions are shown in brackets.
- The maximum mark for this paper is 35.
- You are expected to use a scientific calculator where appropriate.
- A Data and Formulae Booklet is provided as a loose insert.



J U N 1 9 7 4 0 8 3 B E 0 1

IB/M/Jun19/E8

**7408/3BE**

**There are no questions printed on this page**

*Do not write  
outside the  
box*

**DO NOT WRITE ON THIS PAGE  
ANSWER IN THE SPACES PROVIDED**



0 2

**Section B**

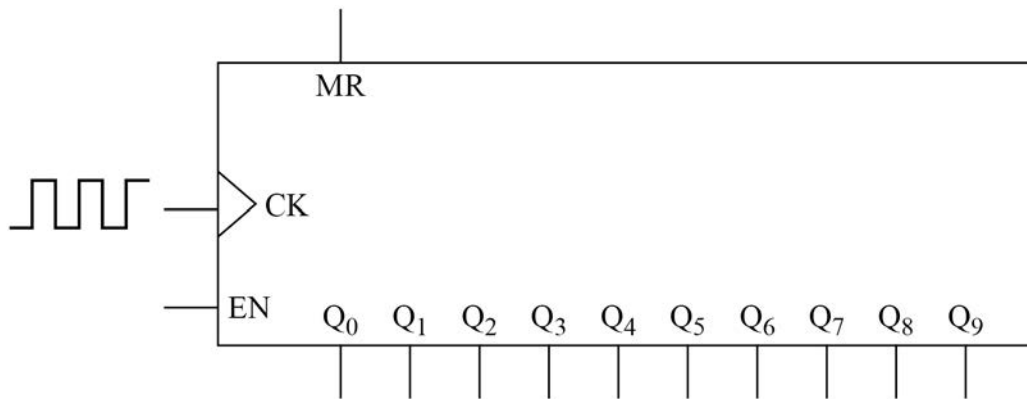
Answer **all** questions in this section.

Do not write outside the box

**0 1**

**Figure 1** shows the basic layout for a Johnson decade counter. The main input is the clock (CK). The main outputs are shown as Q<sub>0</sub> to Q<sub>9</sub>.

**Figure 1**



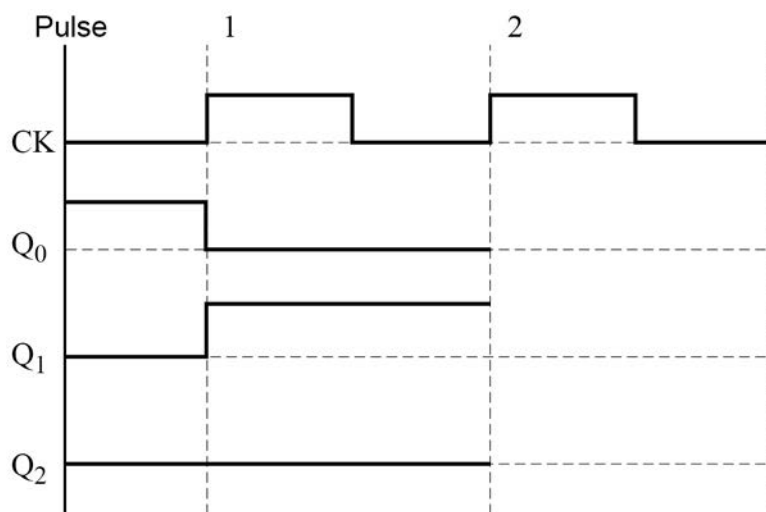
**0 1 . 1**

**Figure 2** shows part of the timing diagram for a Johnson decade counter. This timing diagram shows the output logic states against time. The counter is reset to make Q<sub>0</sub> = 1 and then the first two pulses are applied.

Complete **Figure 2** to show the logic states of Q<sub>0</sub>, Q<sub>1</sub> and Q<sub>2</sub>.

**[2 marks]**

**Figure 2**



**Question 1 continues on the next page**

**Turn over ►**



0 1 . 2

A student sets up the counter to make the traffic light sequence:

**red → red + amber → green → amber**

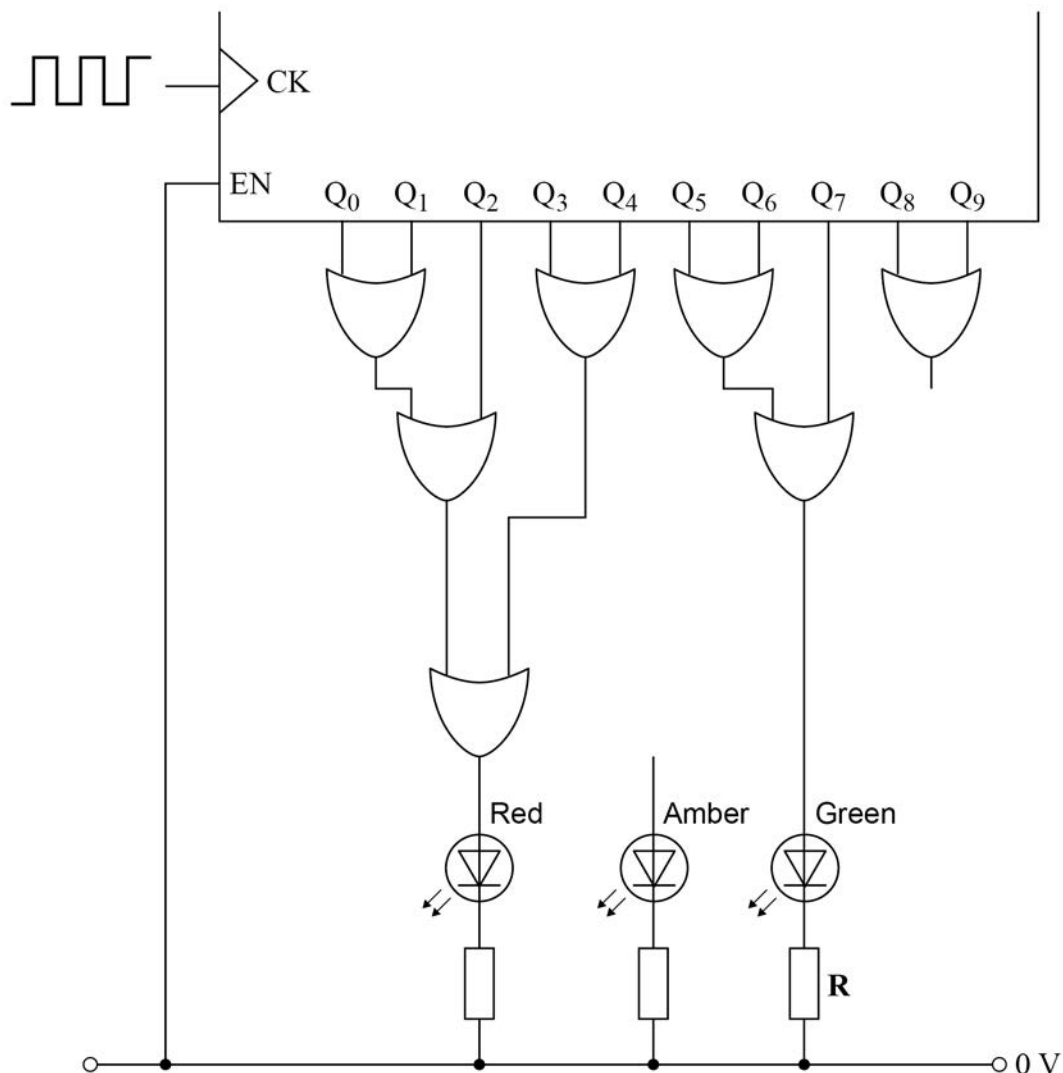
The sequence then repeats.

**Figure 3** shows a partially completed diagram for producing this sequence.

Draw an OR gate and connections on **Figure 3** so that the LEDs go through the complete sequence.

[1 mark]

**Figure 3**



**0 1 . 3** State **two** factors that determine the ON time for the green LED shown in **Figure 3**.  
**[2 marks]**

1 \_\_\_\_\_

2 \_\_\_\_\_

**0 1 . 4** The potential difference across the green LED is 2.1 V when it is lit. The current through it should not exceed 9 mA.

All logic gate outputs are:

logic low = 0 V

logic high = 9 V.

The student suggests that a resistor of resistance 720  $\Omega$  and a tolerance of  $\pm 5\%$  should be used for **R**.

Deduce whether the student's suggestion would be suitable.

**[3 marks]**

\_\_\_\_\_

\_\_\_\_\_

\_\_\_\_\_

\_\_\_\_\_

8

Turn over ►

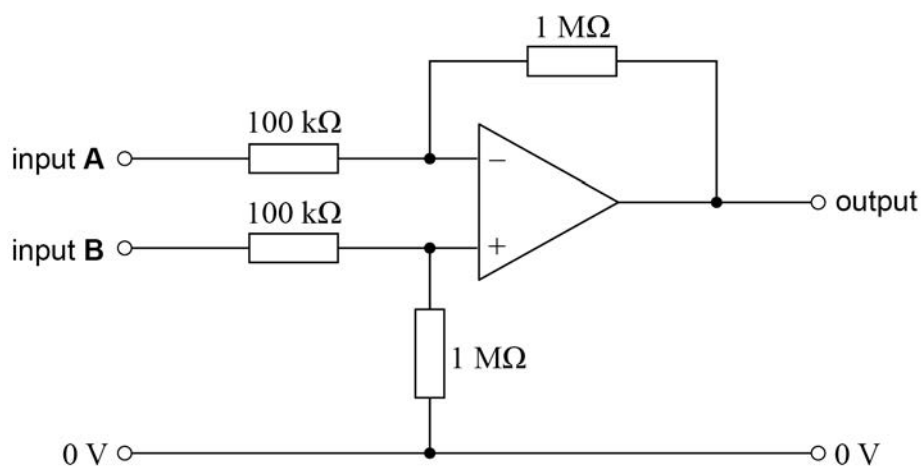


0 2

Figure 4 shows an operational amplifier circuit used in an audio mixing desk.

Do not write  
outside the  
box

Figure 4



The power supply for the amplifier is  $-12\text{ V}$  and  $+12\text{ V}$  but this is not shown in Figure 4.

0 2

. 1

What is the operational amplifier configuration shown in Figure 4?  
Tick (✓) **one** box.

[1 mark]

non-inverting amplifier

comparator

summing amplifier

difference amplifier



0	2	.	2
---	---	---	---

The circuit shown in **Figure 4** is tested by making the following connections:

- input **A** is connected to an audio signal of amplitude 150 mV
- input **B** is connected to 0 V.

Calculate the amplitude of the output voltage.

**[2 marks]**

output voltage = \_\_\_\_\_ V

**Question 2 continues on the next page**

**Turn over ►**

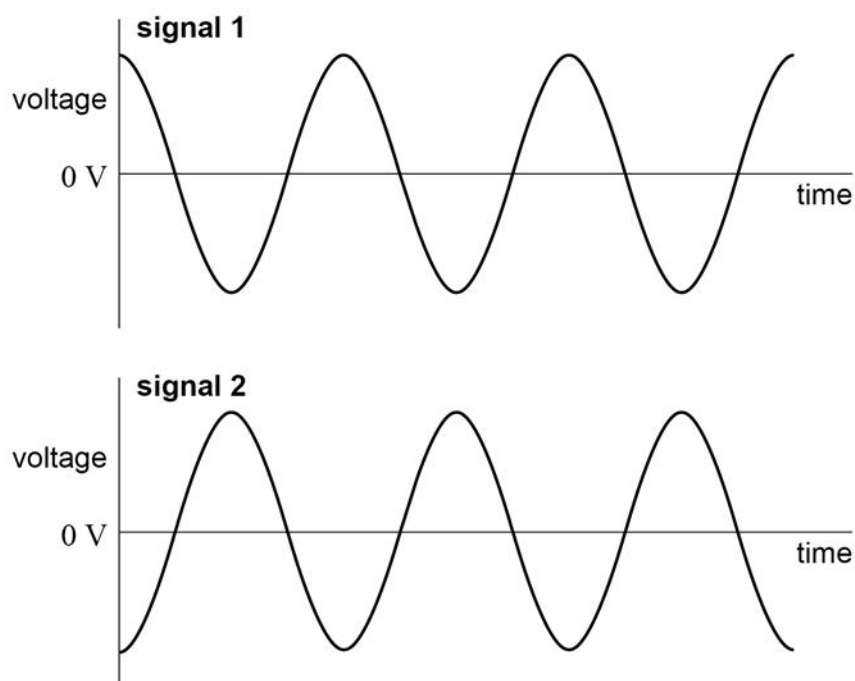


0 2 . 3

A microphone converts a sound wave into the voltage signal labelled **signal 1** in **Figure 5**. At the same time the microphone produces a second signal, labelled **signal 2**. **Signal 2** is the inversion of **signal 1**. These two signals travel along two separate wires in the same cable.

Do not write  
outside the  
box

**Figure 5**

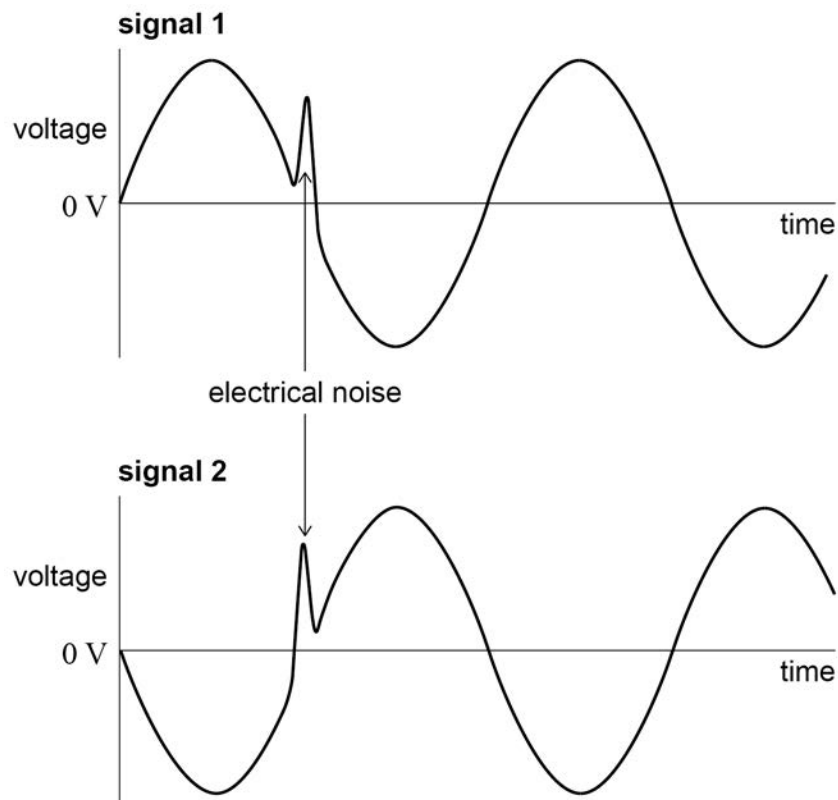




**Figure 6** shows some electrical noise that has been picked up and added to the signals as they travel through the cable from the microphone to the operational amplifier circuit in **Figure 4**.

Do not write  
outside the  
box

**Figure 6**



The connections made in question **02.2** are removed.

**Signal 1** is connected to input **A** and **signal 2** is connected to input **B**.

Explain how the operational amplifier circuit affects the noise and strength of the output signal.

**[3 marks]**

---



---



---



---



---



---



---

Turn over ►

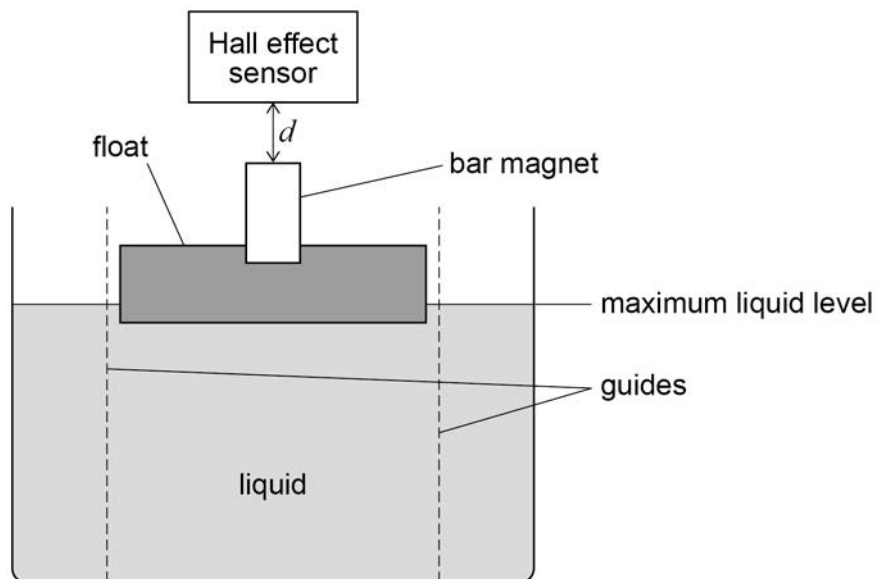


0 3

**Figure 7** shows a system to monitor a tank filling with liquid in which a magnet is mounted on a float.

Do not write  
outside the  
box

**Figure 7**



The Hall effect sensor produces an output voltage  $V$ .  $V$  depends on the distance  $d$  between the sensor and the magnet.

When  $V$  reaches a certain value, the flow of liquid to the tank is switched off.

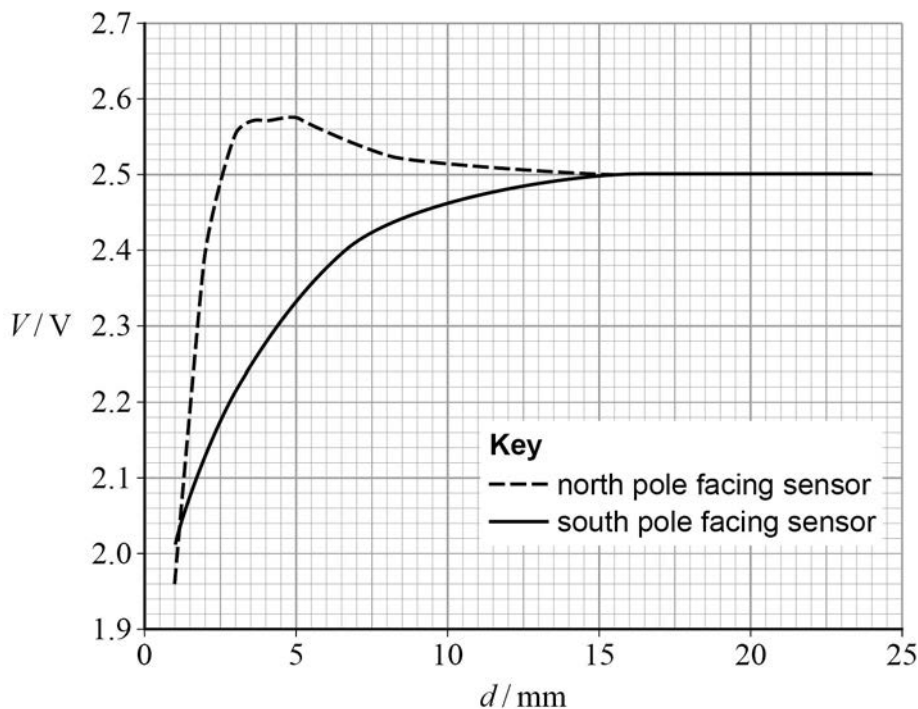
The magnet may be arranged with either the north (N) or south (S) pole facing the sensor.



Do not write outside the box

Figure 8 shows how the magnitude of  $V$  varies with  $d$  for the two possible arrangements of the magnet.

Figure 8



0 3 . 1

Compare the advantages of the two arrangements for monitoring the movement of the magnet towards the Hall effect sensor.

In your answer you should compare:

- the sensitivity of the system
- the range of  $d$  over which the system is useful.

You may ignore any effect from the Earth's magnetic field.

[3 marks]

---



---



---



---



---



---

Question 3 continues on the next page

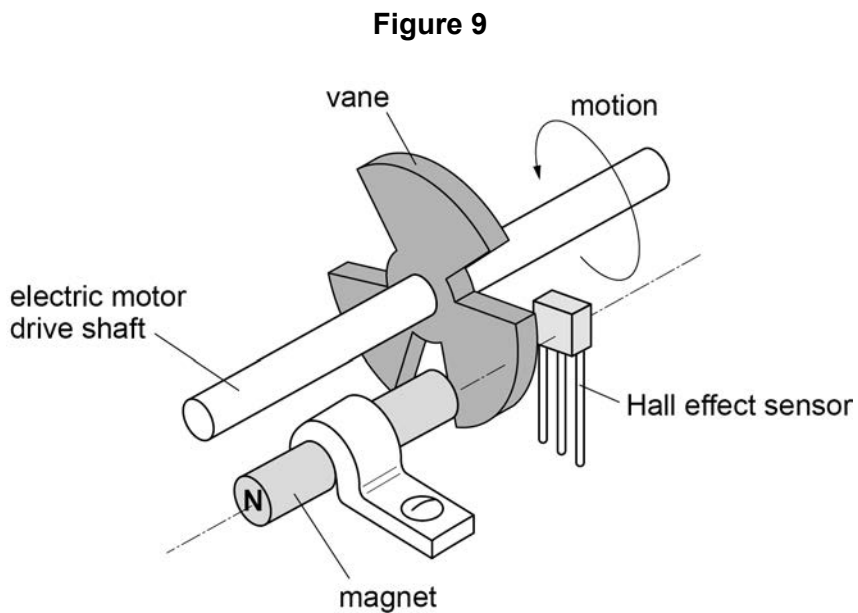
Turn over ►



03.2

**Figure 9** shows a Hall effect sensor being used as a tachometer to monitor the rotational speed of the drive shaft of an electric motor.

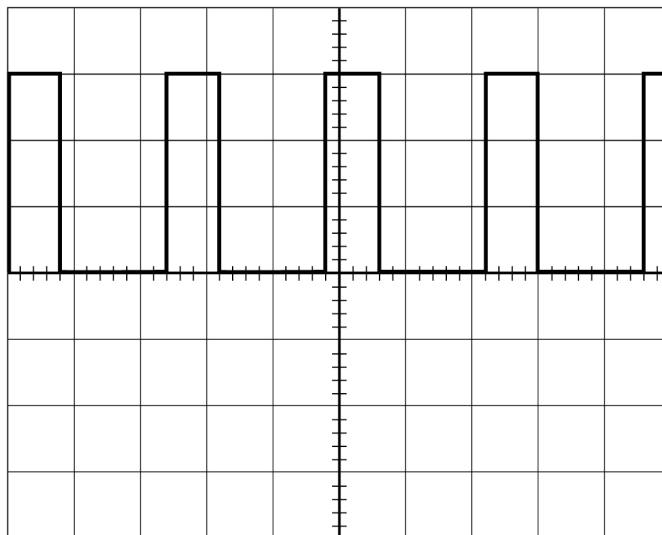
Do not write  
outside the  
box



The output of the Hall effect sensor is connected to an oscilloscope. When the vane is between the magnet and the Hall effect sensor, the output of the Hall effect sensor is low.

The trace produced on the oscilloscope is shown in **Figure 10**.

**Figure 10**



The time-base on the oscilloscope is set to 5 ms / div.

Calculate the number of complete revolutions of the drive shaft in one second.

**[3 marks]**

*Do not write  
outside the  
box*

number of complete revolutions = \_\_\_\_\_

6

**Turn over for the next question**

**Turn over ►**

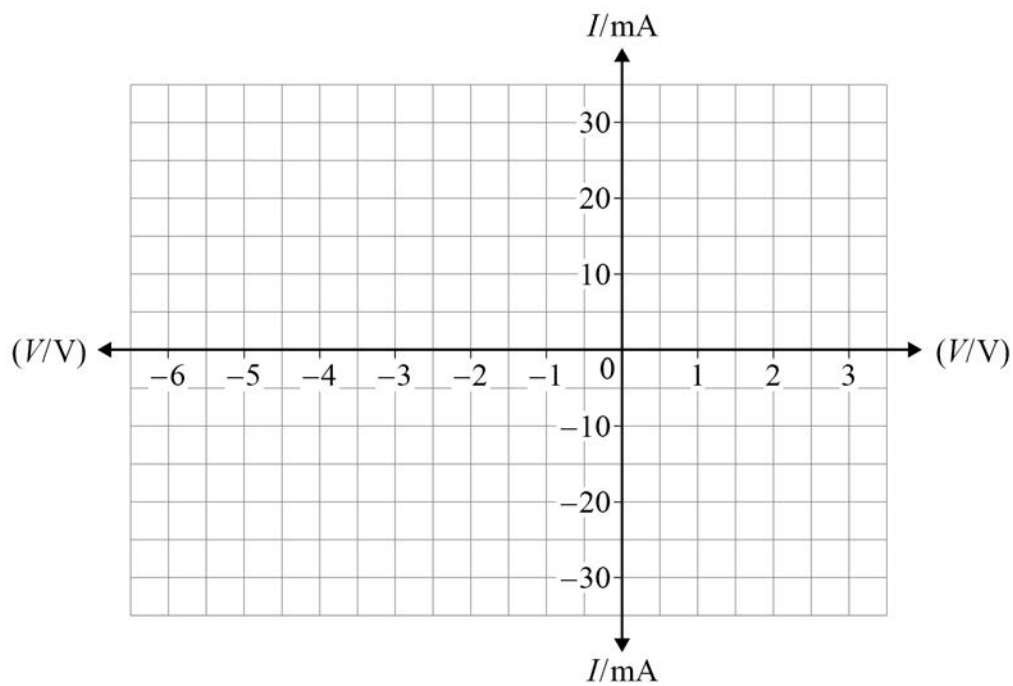


0 4

A silicon-based 5.1 V Zener diode requires a minimum operating current  $I$  of 5.0 mA to maintain its Zener voltage  $V_z$ .

0 4 . 1

Draw on **Figure 11** the general  $I$ – $V$  characteristic for this diode.

**[2 marks]****Figure 11**

Do not write  
outside the  
box

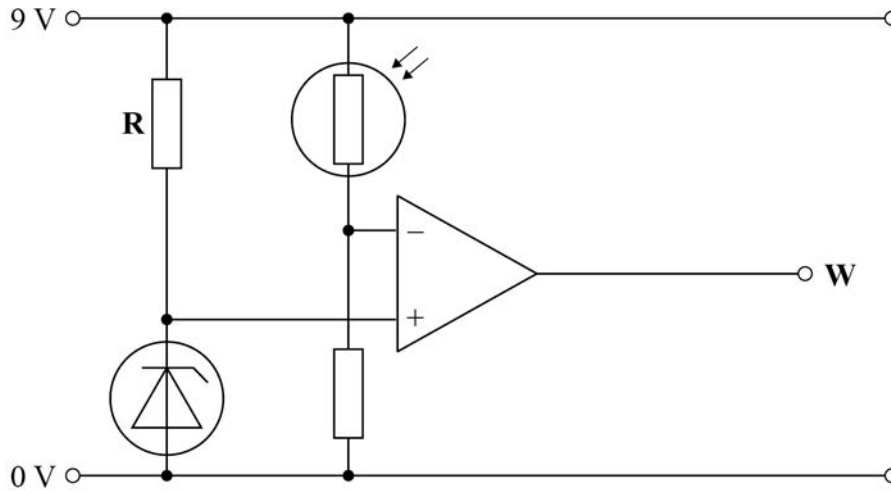


Do not write  
outside the  
box

0 4 . 2

**Figure 12** shows a circuit that uses a 5.1 V Zener diode. The circuit causes the output **W** of the operational amplifier to change at a particular light intensity.

**Figure 12**



State the function of the Zener diode in this circuit.

[1 mark]

---

0 4 . 3

Deduce whether a 100  $\Omega$ , 0.13 W resistor is suitable for **R** in **Figure 12**.

[2 marks]

---



---



---



---

Question 4 continues on the next page

Turn over ►



0 4 . 4

The circuit in **Figure 12** is rebuilt and the position of **R** is swapped with the position of the Zener diode.

Explain how this affects the light intensity at which **W** changes.

[2 marks]

---



---



---

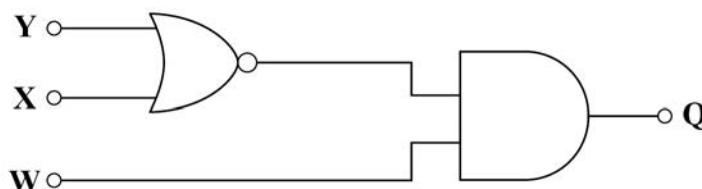


---

0 4 . 5

The output **W** from the operational amplifier shown in **Figure 12** becomes one of three inputs to the combinational logic circuit shown in **Figure 13**.

Figure 13



Write the Boolean algebra expression for the output **Q** in terms of **W**, **X** and **Y** based on the logic gates shown in **Figure 13**.

[1 mark]

**Q** = \_\_\_\_\_



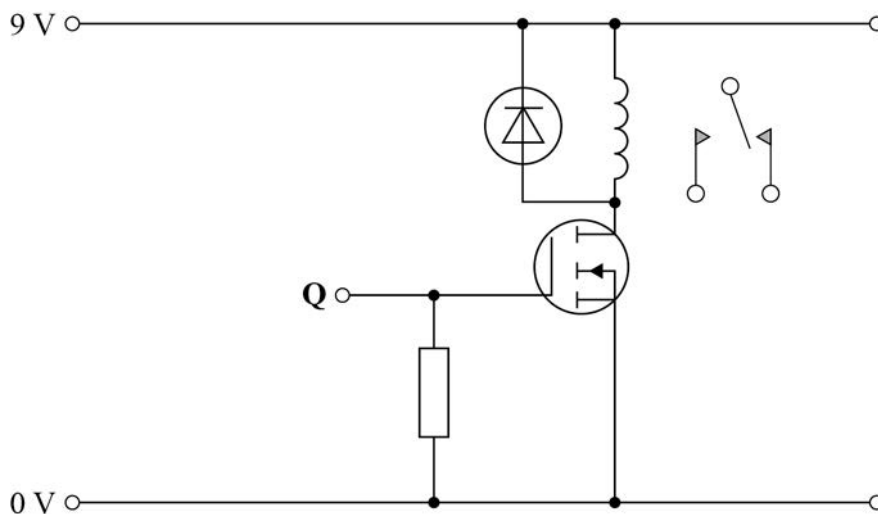


0 4 . 6

Output **Q** from **Figure 13** becomes the input to the final part of the circuit shown in **Figure 14**.

Do not write  
outside the  
box

**Figure 14**



The circuit uses a MOSFET to activate a relay.

State **one** property that makes the MOSFET suitable for interfacing with logic gates.

[1 mark]

9

Turn over for the next question

Turn over ►



*Do not write  
outside the  
box*

0	5
---	---

A telephone company transmits 15 speech channels across a single transmission link. The analogue information is first subjected to pulse code modulation (PCM) before transmission using time division multiplexing (TDM). The transmission system incorporates regenerators which remove noise from the signal.

Explain the basic principles of:

- pulse code modulation (PCM)
- time division multiplexing (TDM)
- a regenerator.

**[6 marks]**

---

---

---

---

---

---

---

---

---

---

---

---

---

---

---

---

---

---

---

---

---

---

---

---

---

---





**There are no questions printed on this page**

*Do not write  
outside the  
box*

**DO NOT WRITE ON THIS PAGE  
ANSWER IN THE SPACES PROVIDED**









