

Centre Number						Candidate Number				
Surname										
Other Names										
Candidate Signature										

For Examiner's Use	
Examiner's Initials	
Question	Mark
1	
2	
3	
4	
5	
6	
7	
TOTAL	



General Certificate of Education
Advanced Subsidiary Examination
January 2012

Physics A

PHYA1

Unit 1 Particles, Quantum Phenomena and Electricity

Thursday 12 January 2012 1.30 pm to 2.45 pm

For this paper you must have:

- a pencil and a ruler
- a calculator
- a Data and Formulae Booklet (enclosed).

Time allowed

- 1 hour 15 minutes

Instructions

- Use black ink or black ball-point pen.
- Fill in the boxes at the top of this page.
- Answer **all** questions.
- You must answer the questions in the spaces provided. Do not write outside the box around each page or on blank pages.
- Do all rough work in this book. Cross through any work you do not want to be marked.
- Show all your working.

Information

- The marks for questions are shown in brackets.
- The maximum mark for this paper is 70.
- You are expected to use a calculator where appropriate.
- A *Data and Formulae Booklet* is provided as a loose insert.
- You will be marked on your ability to:
 - use good English
 - organise information clearly
 - use specialist vocabulary where appropriate.



J A N 1 2 P H Y A 1 0 1

WMP/Jan12/PHYA1

PHYA1

Answer **all** questions in the spaces provided.

1 (a) The table gives information about some fundamental particles.

Complete the table by filling in the missing information.

particle	quark structure	charge	strangeness	baryon number
	uud		0	
Sigma ⁺	uus	+ 1		
	$\bar{u}\bar{d}$		0	0

(7 marks)

1 (b) Each of the particles in the table has an antiparticle.

1 (b) (i) Give **one** example of a baryon particle **and** its corresponding antiparticle.

particle

antiparticle

(1 mark)

1 (b) (ii) State the quark structure of an antibaryon.

.....

(1 mark)

1 (b) (iii) Give **one** property of an antiparticle that is the same for its corresponding particle and **one** property that is different.

Same

.....

Different

.....

(2 marks)

11



2 (a) State what is meant by the specific charge of a nucleus and give an appropriate unit for this quantity.

.....
.....
.....
.....

unit:
(2 marks)

2 (b) Nucleus X has the same nucleon number as nucleus Y. The specific charge of X is 1.25 times greater than that of Y.

2 (b) (i) Explain, in terms of protons and neutrons, why the specific charge of X is greater than that of Y.

.....
.....
.....
.....

(2 marks)

2 (b) (ii) Nucleus X is $^{10}_5\text{B}$. Deduce the number of protons and the number of neutrons in nucleus Y.

number of protons

number of neutrons

(4 marks)

8

Turn over ►



3 (a) Pair production can occur when a photon interacts with matter. Explain the process of pair production.

.....
.....
.....
.....

(2 marks)

3 (b) Explain why pair production cannot take place if the frequency of the photon is below a certain value.

.....
.....
.....
.....
.....
.....

(3 marks)

3 (c) Energy and momentum are conserved during pair production. State **two** other quantities that must also be conserved.

.....
.....

(2 marks)

7



4 (a) When free electrons collide with atoms in their *ground state*, the atoms can be excited or ionised.

4 (a) (i) State what is meant by ground state.

.....
.....
.....

(1 mark)

4 (a) (ii) Explain the difference between excitation and ionisation.

.....
.....
.....
.....
.....
.....

(3 marks)

4 (b) An atom can also become excited by the absorption of photons. Explain why only photons of certain frequencies cause excitation in a particular atom.

.....
.....
.....
.....
.....
.....
.....
.....
.....

(4 marks)

Question 4 continues on the next page

Turn over ►



- 4 (c)** The ionisation energy of hydrogen is 13.6 eV. Calculate the minimum frequency necessary for a photon to cause the ionisation of a hydrogen atom. Give your answer to an appropriate number of significant figures.

answerHz
(4 marks)

12

- 5 (a)** A student is given a piece of metal wire and asked to investigate how the resistance of the wire changes between a temperature of 0 °C and 100 °C.
- 5 (a) (i)** Draw a labelled diagram of a suitable arrangement that would enable the student to carry out the experiment.

(3 marks)



5 (a) (ii) Describe the procedure the student would follow in order to obtain accurate and reliable measurements of the resistance of the wire at different temperatures between 0 °C and 100 °C.

The quality of written communication will be assessed in your answer.

.....

.....

.....

.....

.....

.....

.....

.....

.....

.....

.....

.....

.....

.....

.....

.....

.....

.....

.....

.....

.....

.....

.....

.....

.....

.....

(6 marks)

Question 5 continues on the next page

Turn over ►



5 (b) A certain metal has a *critical temperature* of -268°C (5 K). Explain what is meant by critical temperature.

.....

.....

.....

.....

(2 marks)

11

6 X and Y are two lamps. X is rated at 12 V 36 W and Y at 4.5 V 2.0 W.

6 (a) Calculate the current in each lamp when it is operated at its correct working voltage.

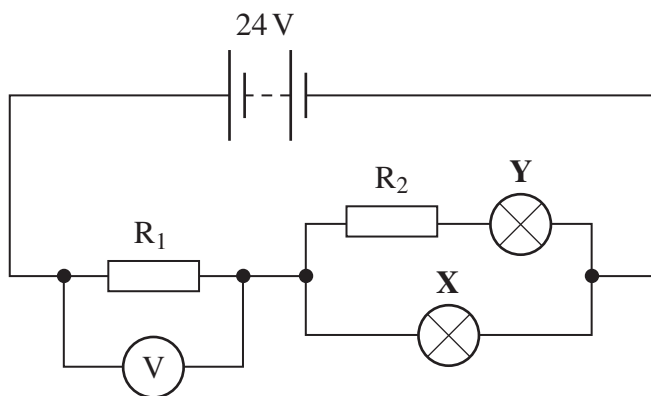
X A

Y A

(2 marks)

6 (b) The two lamps are connected in the circuit shown in **Figure 1**. The battery has an emf of 24 V and negligible internal resistance. The resistors, R_1 and R_2 are chosen so that the lamps are operating at their correct working voltage.

Figure 1



6 (b) (i) Calculate the pd across R_1 .

answer V
(1 mark)

6 (b) (ii) Calculate the current in R_1 .

answer A
(1 mark)

6 (b) (iii) Calculate the resistance of R_1 .

answer Ω
(1 mark)

6 (b) (iv) Calculate the pd across R_2 .

answer V
(1 mark)

6 (b) (v) Calculate the resistance of R_2 .

answer Ω
(1 mark)

Question 6 continues on the next page

Turn over ►



6 (c) The filament of the lamp in **X** breaks and the lamp no longer conducts. It is observed that the voltmeter reading decreases and lamp **Y** glows more brightly.

6 (c) (i) Explain without calculation why the voltmeter reading decreases.

.....

.....

.....

(2 marks)

6 (c) (ii) Explain without calculation why the lamp **Y** glows more brightly.

.....

.....

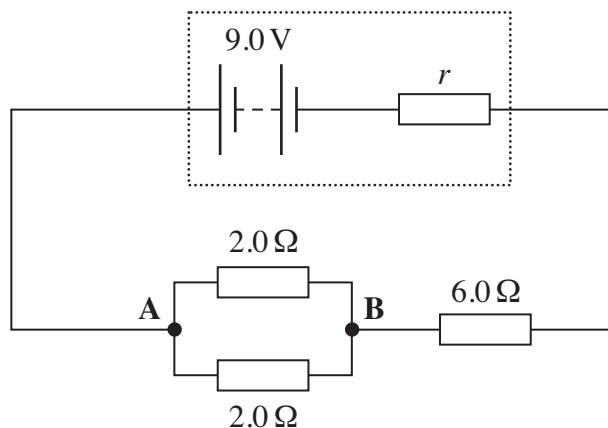
.....

(2 marks)

11

7 A battery of emf 9.0 V and internal resistance, r , is connected in the circuit shown in **Figure 2**.

Figure 2



7 (a) The current in the battery is 1.0 A.

7 (a) (i) Calculate the pd between points **A** and **B** in the circuit.

answer = V
(2 marks)

7 (a) (ii) Calculate the internal resistance, r .

answer = Ω
(2 marks)

7 (a) (iii) Calculate the **total** energy transformed by the battery in 5.0 minutes.

answer = J
(2 marks)

7 (a) (iv) Calculate the percentage of the energy calculated in part (iii) that is dissipated in the battery in 5.0 minutes.

answer %
(2 marks)

Question 7 continues on the next page

Turn over ►



7 (b) State and explain **one** reason why it is an advantage for a rechargeable battery to have a low internal resistance.

.....

.....

.....

.....

(2 marks)

10

END OF QUESTIONS

