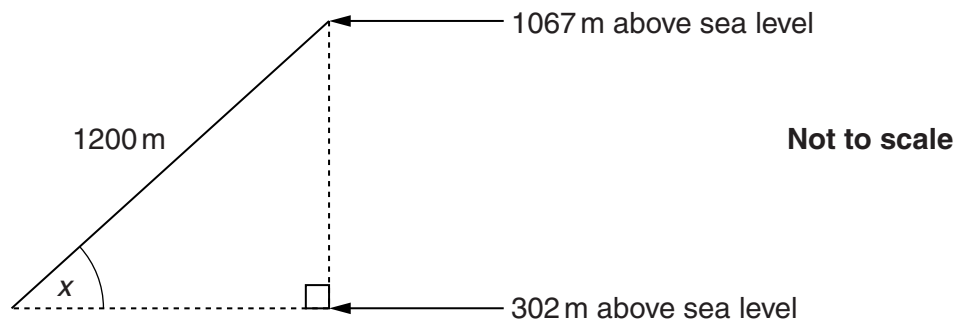


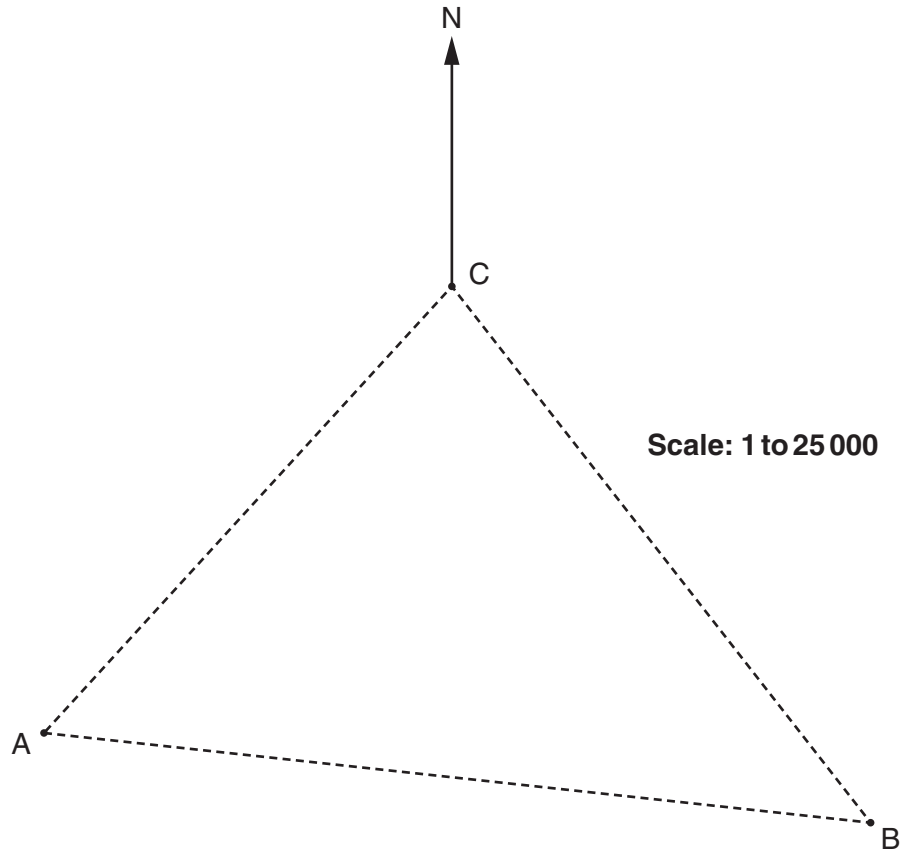
- 1 The cable car which goes up Table Mountain starts at a height of 302 m above sea level. It goes to the top of the mountain at 1067 m above sea level. The length of the cable is 1200 m.



Calculate x , the angle that the cable makes with the horizontal.

_____ ° [4]

- 2 (a) This map shows three places A, B and C in some flat countryside. They are joined by paths.



- (i) By measuring, find the bearing of A from C.

(a)(i) _____ ° [1]

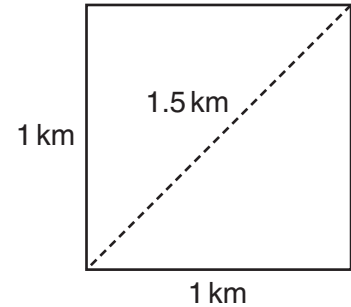
- (ii) Ruth and Joy are planning a walk. They want to start at A, walk to B, then to C and then to A along the paths shown. Joy cannot walk more than 8 km.

Can Joy complete this walk?
Show how you decide.

(ii) _____ [4]

- (b) A different map has a squared grid printed on it.
The distance between the gridlines represents 1 km.
A magazine for walkers gives this information to help estimate distances:

The distance across a diagonal of a square represents 1.5 km.



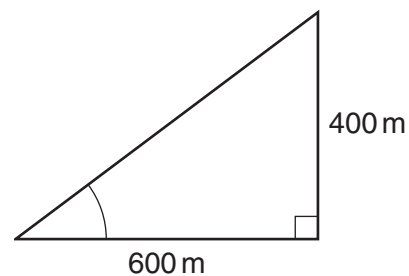
Use Pythagoras' theorem to calculate the length of a diagonal of a square and comment on the accuracy of the magazine's information.

[3]

- (c) Mike is walking up a path in hilly countryside.
The path increases in height by 400 m over a horizontal distance of 600 m, as shown on the diagram.

At the bottom of the path, Mike says:

It looks as if it goes up at 40° to the horizontal.

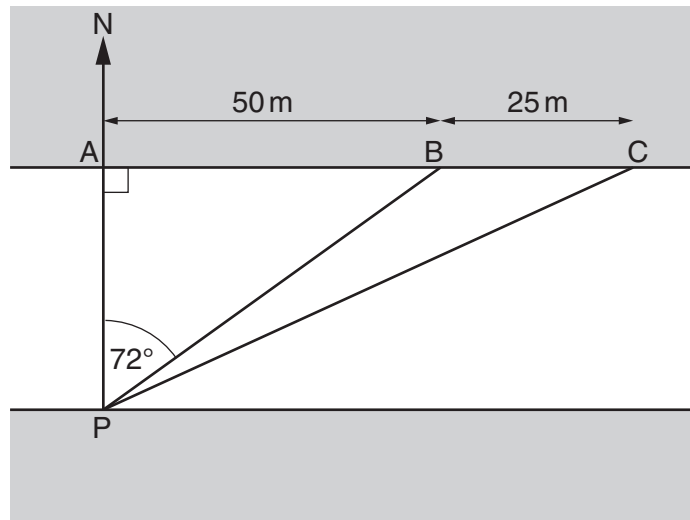


Not to scale

Calculate whether Mike's estimate is a good one.

[3]

- 3 Paul stands on one bank of a river at point P.
Aleysha stands on the other bank due North of Paul, at point A.
She then walks 50m due East to point B.
At B her bearing from Paul is 072° .



- (a) Calculate AP, the width of the river.

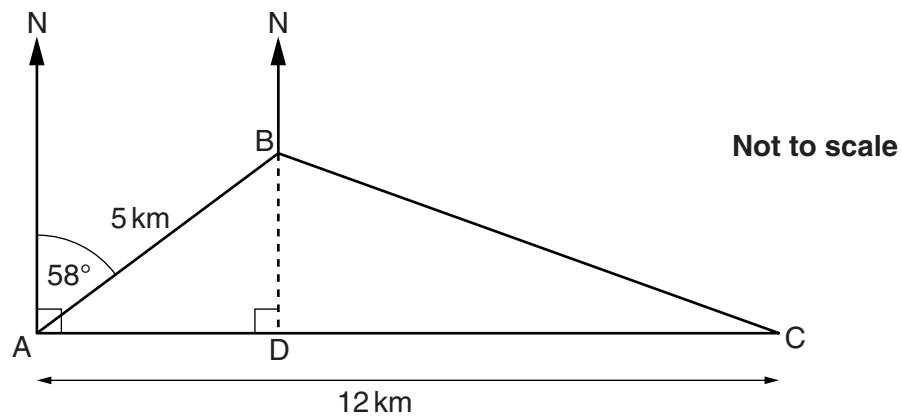
(a) _____ m [3]

(b) Aleysha walks 25 m further East to point C.

Calculate the bearing of C from P.

(b) _____ ° [3]

- 4 The diagram shows the journey of a boat starting from A. To avoid rocks, the boat first travels 5 km on a bearing of 058° to B. It then travels from B to C. C is 12 km due east of A.



- (a) Show by calculation that AD, the distance that B is east of A, is 4.24 km correct to 2 decimal places.

[3]

(b) Calculate the bearing on which the boat travels from B to C.

(b) Bearing _____ ° [6]