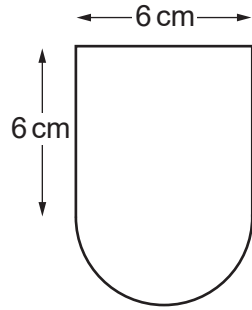


- 1 (a) The shape of a badge on a school uniform is a square joined to a semi-circle.



Not to scale

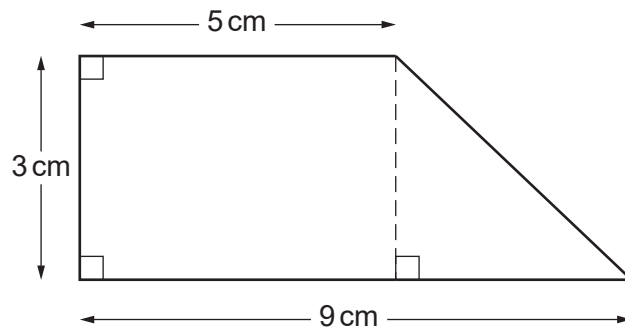
Show that the area of material used to make this badge is 50.1 cm^2 , correct to 3 significant figures. [3]

- (b) A sign in front of the school has a picture of this badge.
The picture is an enlargement of the badge.
The area of the picture is 16232.4 cm^2 .

Work out the linear scale factor of the enlargement.

(b) [3]

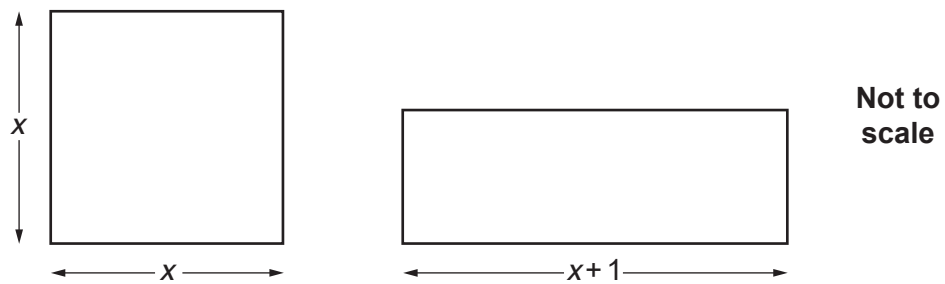
2 Work out the total area of this shape.



**Not to
scale**

..... cm² [3]

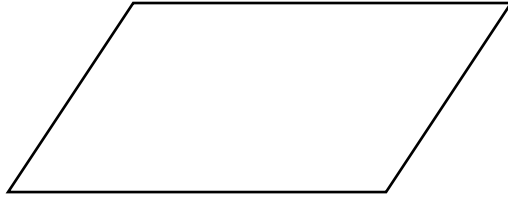
3 In the diagram below, the perimeter of the square is equal to the perimeter of the rectangle.



Show algebraically that the area of the square is greater than the area of the rectangle.

[6]

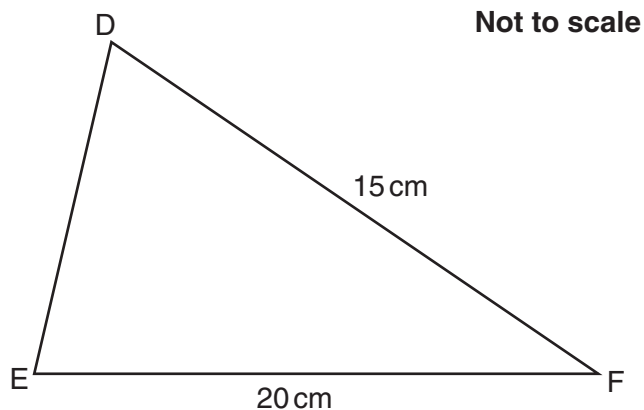
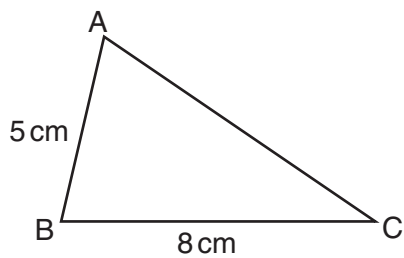
- 4 This is a parallelogram.



Using suitable measurements from the diagram, work out the area of the parallelogram.
Give the units of your answer.

_____ [3]

- 5 Triangle ABC is similar to triangle DEF.



- (a) Calculate DE.

(a) _____ cm [3]

- (b) Calculate AC.

(b) _____ cm [2]