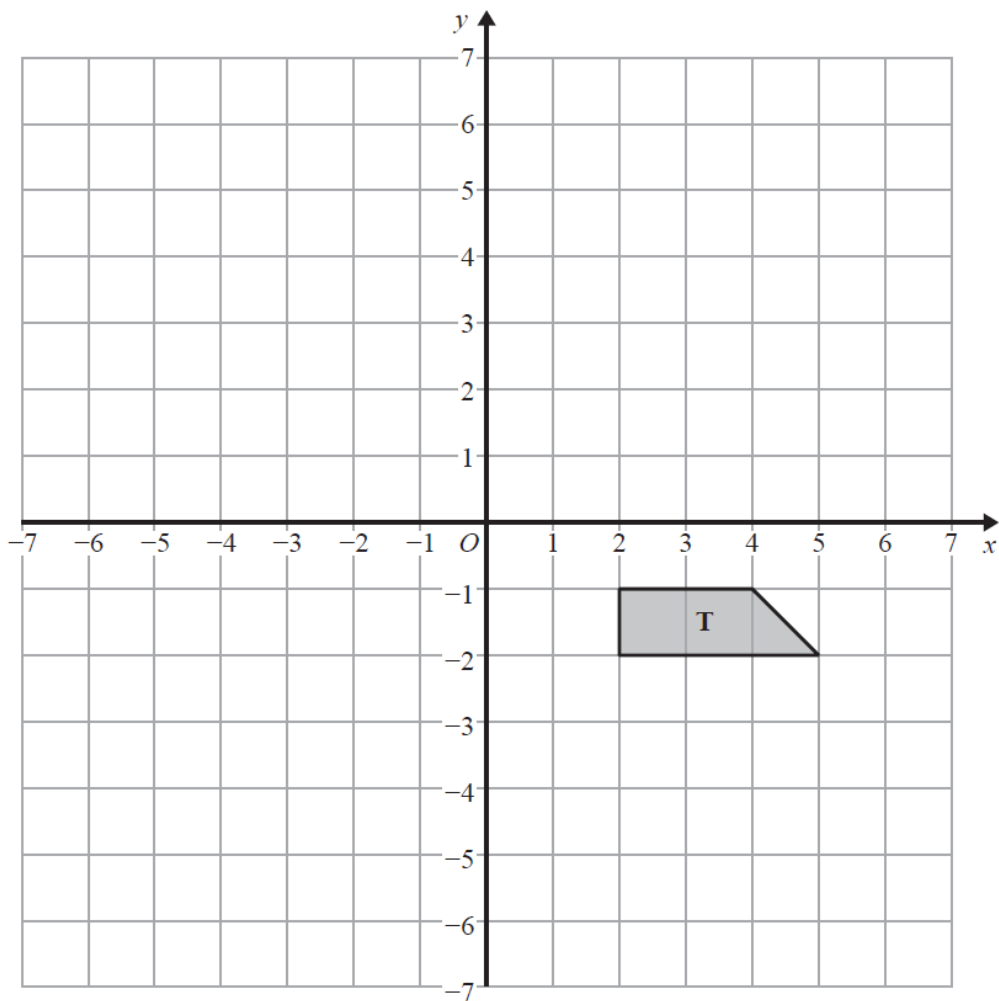


1



- (a) Rotate trapezium **T** 180° about the origin.
Label the new trapezium **A**.

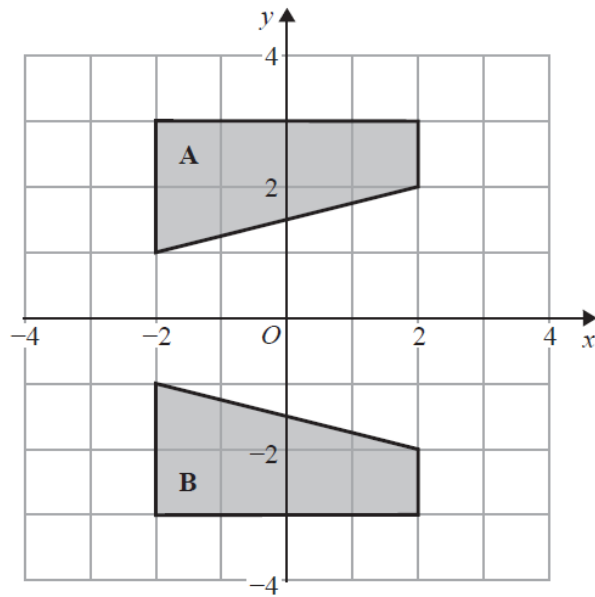
(1)

- (b) Translate trapezium **T** by the vector $\begin{pmatrix} -1 \\ -3 \end{pmatrix}$
Label the new trapezium **B**.

(1)

(Total for Question is 2 marks)

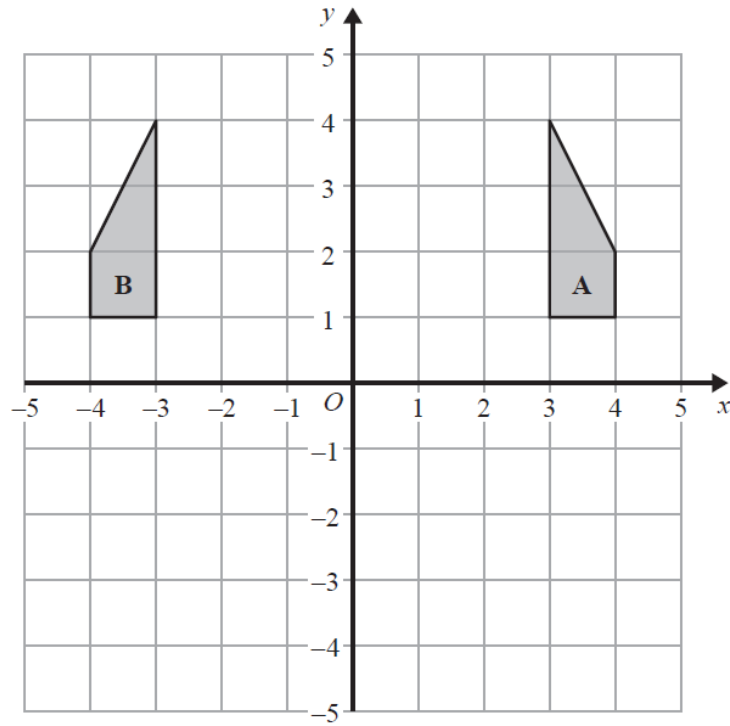
2



Describe fully the single transformation that maps shape A onto shape B.

(Total for Question is 2 marks)

3



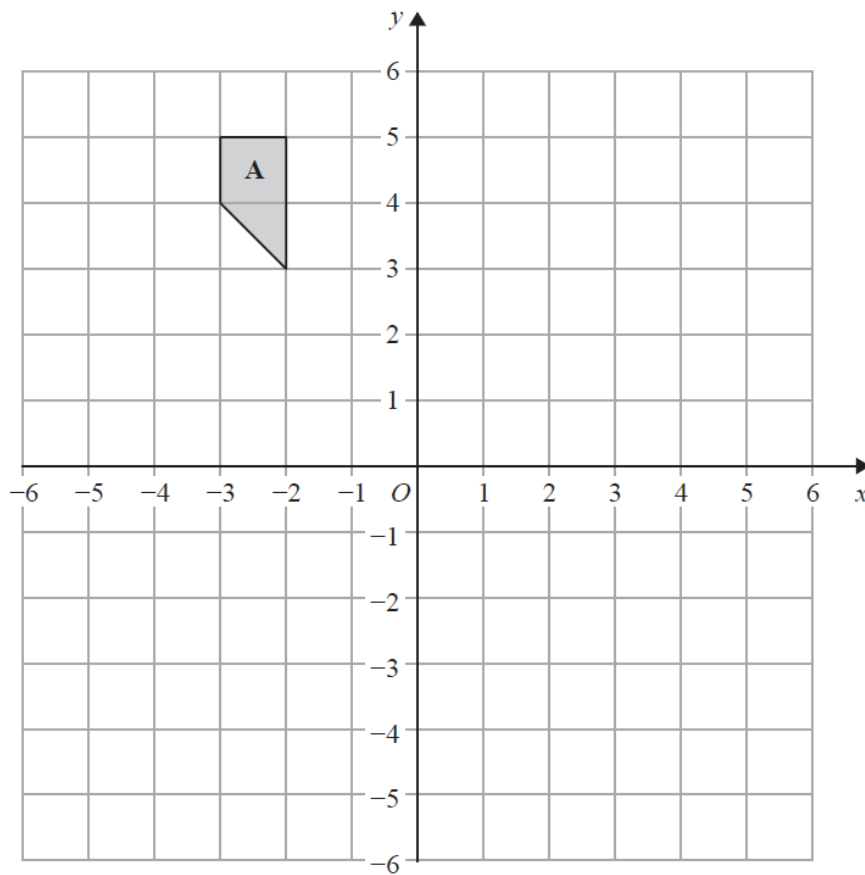
Describe fully the single transformation that maps shape A onto shape B.

.....

.....

(Total for Question is 2 marks)

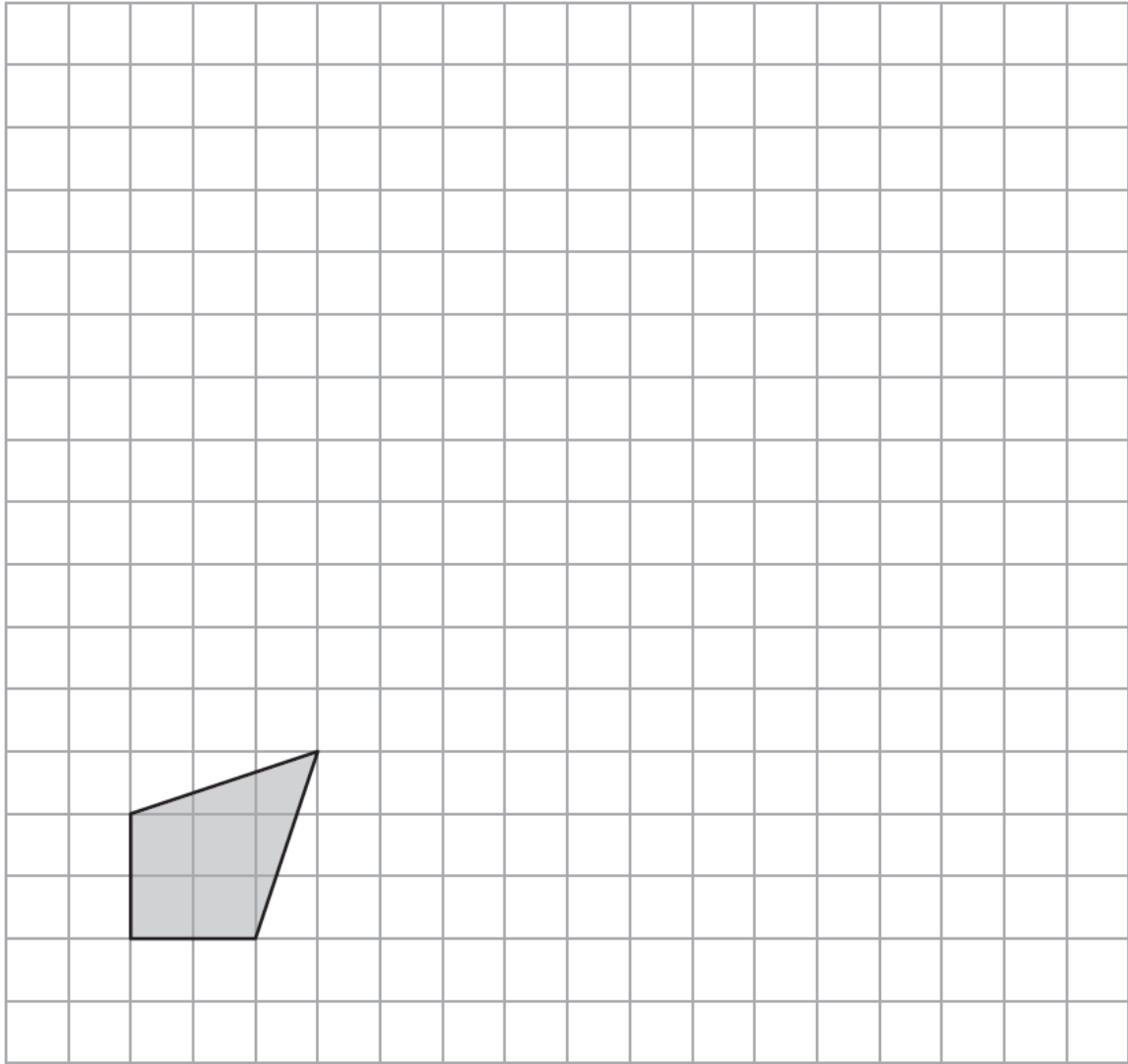
4



Rotate shape A 180° about $(1, 0)$

(Total for Question is 2 marks)

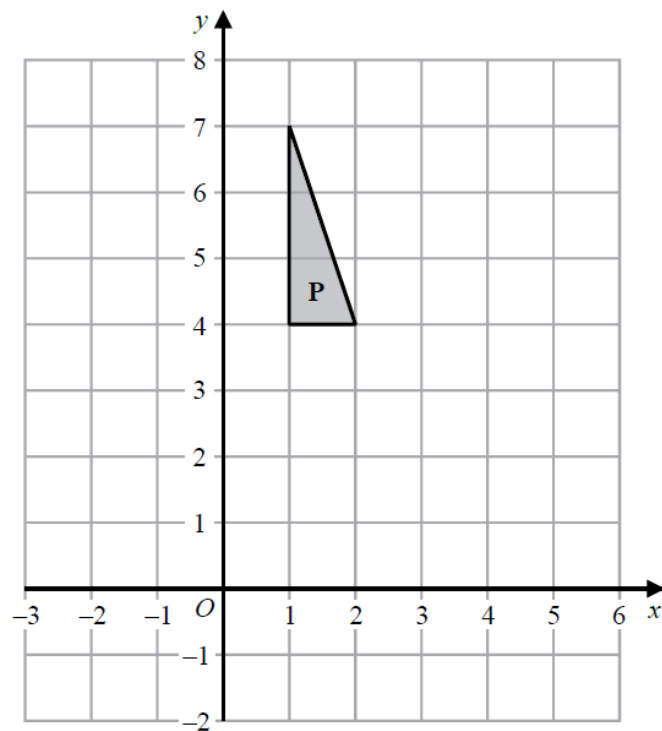
5



On the grid, draw an enlargement of the shaded shape with a scale factor of 3

(Total for Question is 2 marks)

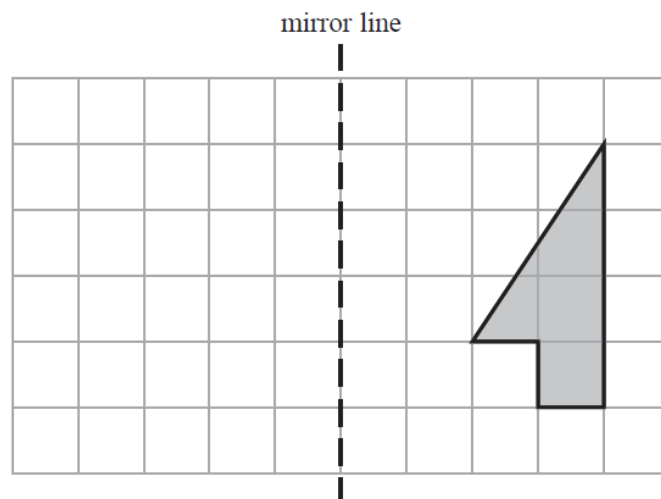
6



Reflect shape **P** in the line $y = 3$

(Total for Question is 2 marks)

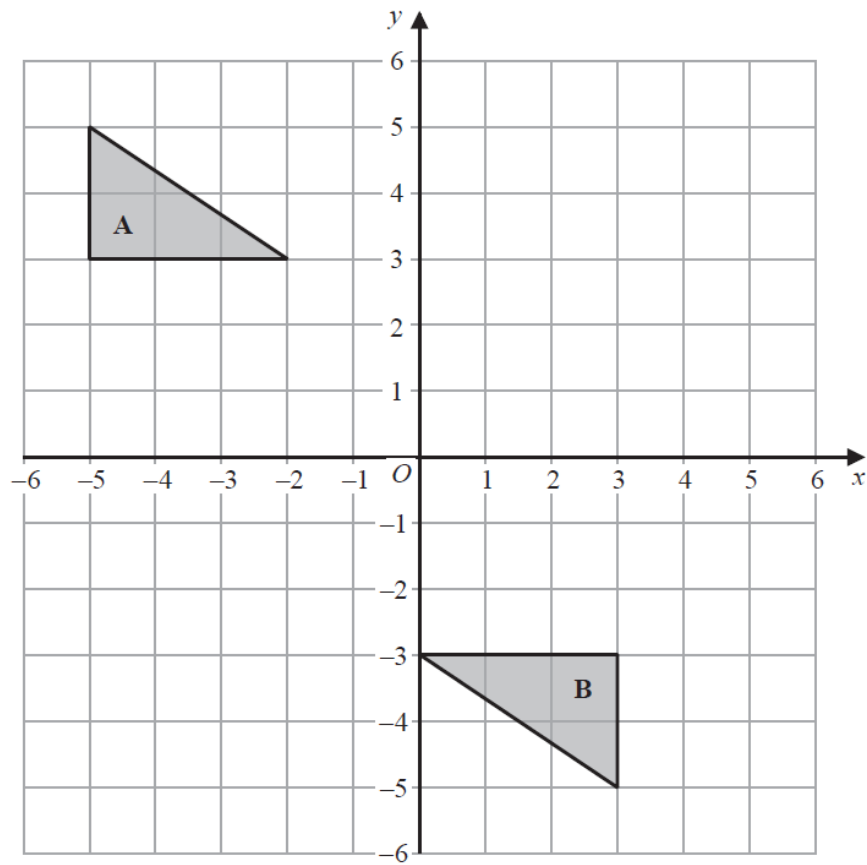
7



Reflect the shaded shape in the mirror line.

(Total for Question is 2 marks)

8



Describe fully the single transformation that maps triangle A onto triangle B.

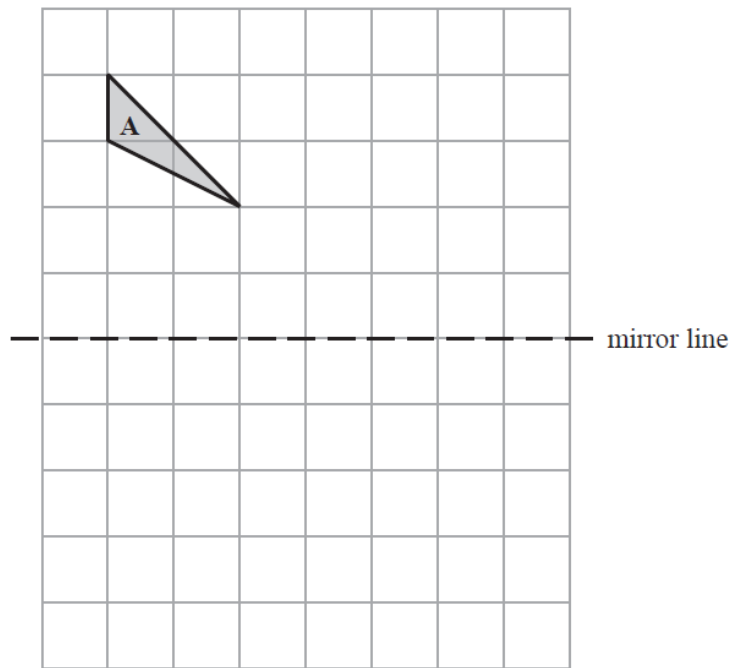
.....

.....

.....

(Total for Question is 2 marks)

9 Reflect shape A in the mirror line.



(Total for Question is 2 marks)