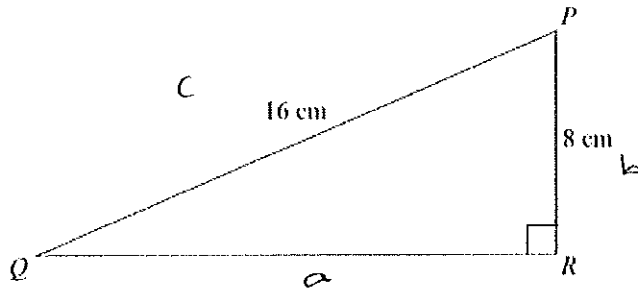


1.

Diagram NOT accurately drawn



PQR is a right-angled triangle.
 $PQ = 16$ cm.
 $PR = 8$ cm.

Calculate the length of QR .
 Give your answer correct to 2 decimal places.

$$a^2 + b^2 = c^2$$

$$a^2 + 8^2 = 16^2$$

$$a^2 = 16^2 - 8^2$$

$$a = \sqrt{16^2 - 8^2}$$

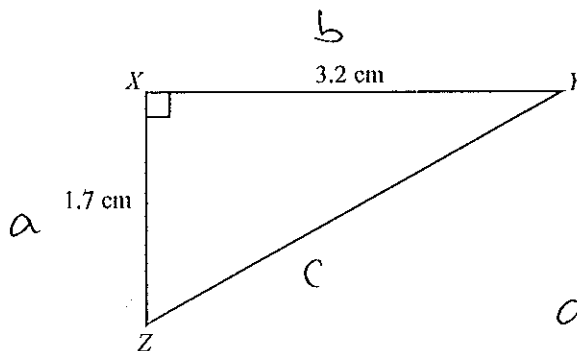
$$= 13.86 \text{ (2dp)}$$

..... 13.86 cm

(3 marks)

2.

Diagram NOT accurately drawn



XYZ is a right-angled triangle.
 $XY = 3.2$ cm.
 $XZ = 1.7$ cm.

Calculate the length of YZ .
 Give your answer correct to 3 significant figures.

$$a^2 + b^2 = c^2$$

$$1.7^2 + 3.2^2 = c^2$$

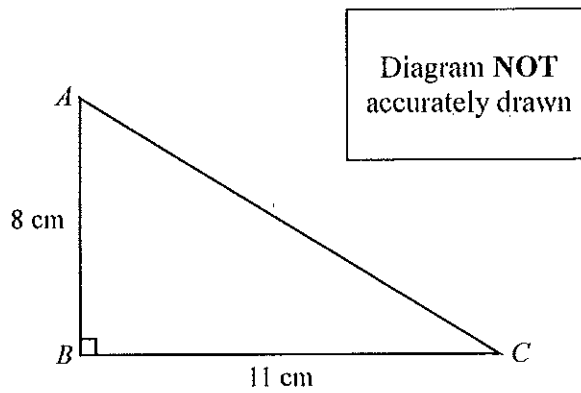
$$\sqrt{1.7^2 + 3.2^2} = c$$

$$c = 3.62 \text{ (3sf)}$$

..... 3.62 cm

(3 marks)

3.



ABC is a right-angled triangle.

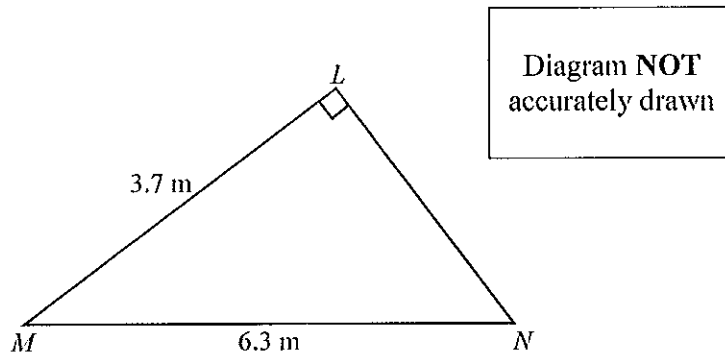
$AB = 8$ cm,
 $BC = 11$ cm.

$$c = \sqrt{8^2 + 11^2}$$

Calculate the length of AC .
Give your answer correct to 3 significant figures.

..... 13.6 cm
(3 marks)

4.



Angle $MLN = 90^\circ$.
 $LM = 3.7$ m.
 $MN = 6.3$ m.

Work out the length of LN .
Give your answer correct to 3 significant figures.

$$\sqrt{6.3^2 - 3.7^2}$$

$LN =$ 5.10 m
(3 marks)

5.

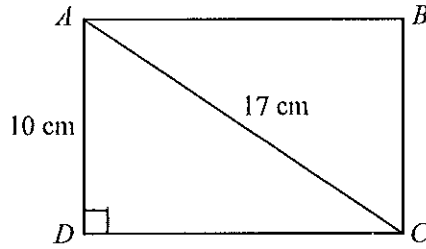


Diagram NOT accurately drawn

$ABCD$ is a rectangle.
 $AC = 17$ cm.
 $AD = 10$ cm.

$$\sqrt{17^2 - 10^2}$$

Calculate the length of the side CD .
Give your answer correct to one decimal place.

..... 13.7 cm

(3 marks)

6.

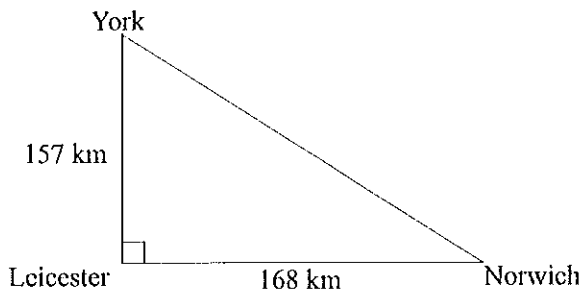


Diagram NOT accurately drawn

The diagram shows three cities.
Norwich is 168 km due East of Leicester.
York is 157 km due North of Leicester.

$$\sqrt{157^2 + 168^2}$$

Calculate the distance between Norwich and York.
Give your answer correct to the nearest kilometre.

..... 230 km

(3 marks)

7.

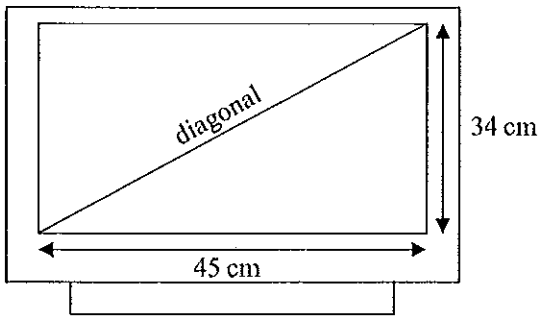


Diagram NOT accurately drawn

A rectangular television screen has a width of 45 cm and a height of 34 cm.

Work out the length of the diagonal of the screen.
Give your answer correct to the nearest centimetre.

$$\sqrt{45^2 + 34^2}$$

.....56..... cm

(4 marks)

8.

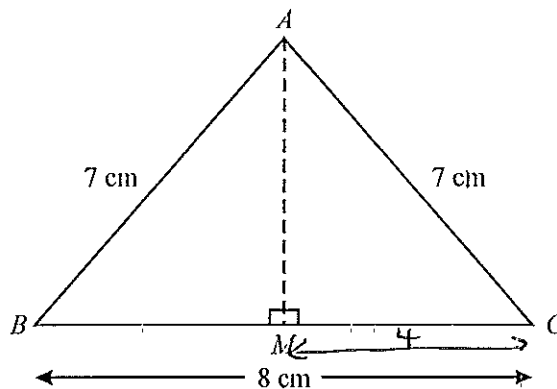


Diagram NOT accurately drawn

Work out the length, in centimetres, of AM .
Give your answer correct to 2 decimal places.

$$\sqrt{7^2 - 4^2}$$

.....5.74..... cm

(3 marks)

9.

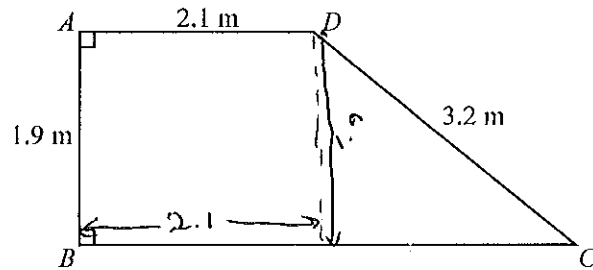


Diagram NOT accurately drawn

$ABCD$ is a trapezium.
 AD is parallel to BC .
Angle $A =$ angle $B = 90$.
 $AD = 2.1$ m, $AB = 1.9$ m, $CD = 3.2$ m.

Work out the length of BC .
Give your answer correct to 3 significant figures.

$$2.1 + \sqrt{3.2^2 - 1.9^2}$$

.....4.67..... m
(4 marks)

10.

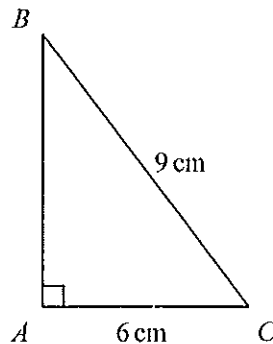


Diagram NOT accurately drawn

ABC is a right-angled triangle.

$AC = 6$ cm.
 $BC = 9$ cm.

Work out the length of AB .
Give your answer correct to 3 significant figures.

$$\sqrt{9^2 - 6^2}$$

6.71 (3sf)

.....6.71..... cm
(3 marks)

11.

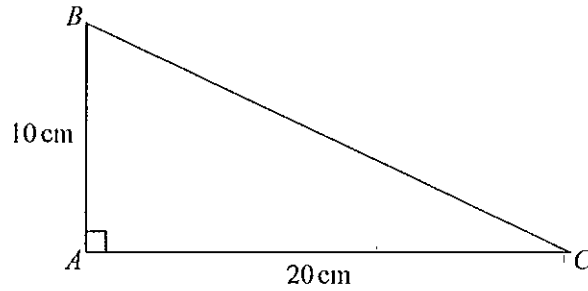


Diagram NOT accurately drawn

In triangle ABC ,

$$AB = 10 \text{ cm}$$

$$AC = 20 \text{ cm}$$

$$\text{angle } BAC = 90^\circ$$

$$\sqrt{10^2 + 20^2}$$

Work out the length of BC .

Give your answer correct to 3 significant figures.

You must state the units in your answer.

$$\dots\dots\dots 22.4 \text{ cm} \dots\dots\dots$$

(4 marks)

12.

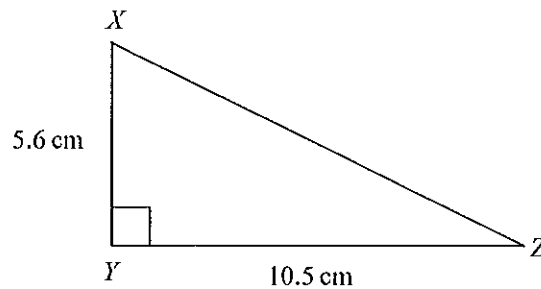


Diagram NOT accurately drawn

In the triangle XYZ

$$XY = 5.6 \text{ cm}$$

$$YZ = 10.5 \text{ cm}$$

$$\text{angle } XYZ = 90$$

Work out the length of XZ .

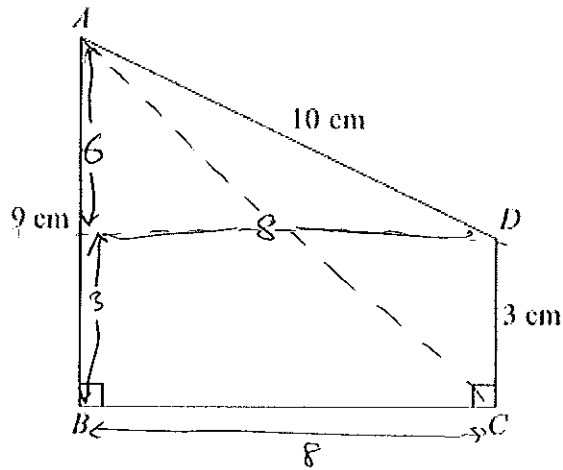
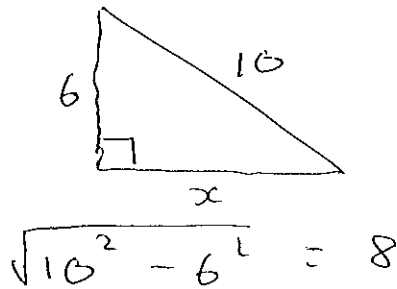
$$\sqrt{10.5^2 + 5.6^2}$$

$$\dots\dots\dots 11.9 \text{ cm} \dots\dots\dots$$

(3 marks)

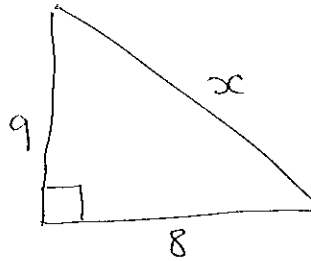
13. $ABCD$ is a trapezium.

Diagram NOT accurately drawn



$AD = 10$ cm
 $AB = 9$ cm
 $DC = 3$ cm
 Angle $ABC =$ angle $BCD = 90^\circ$

Calculate the length of AC .
 Give your answer correct to 3 significant figures.



$$\sqrt{8^2 + 9^2}$$

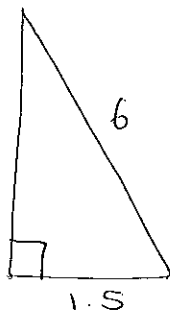
..... 12.0 cm

(5 marks)

14. A ladder is 6 m long.
 The ladder is placed on horizontal ground, resting against a vertical wall.

The instructions for using the ladder say that the bottom of the ladder must not be closer than 1.5 m from the bottom of the wall.

How far up the wall can the ladder reach?
 Give your answer correct to 1 decimal place.



$$\sqrt{6^2 - 1.5^2}$$

..... 5.8 m m

(4 marks)