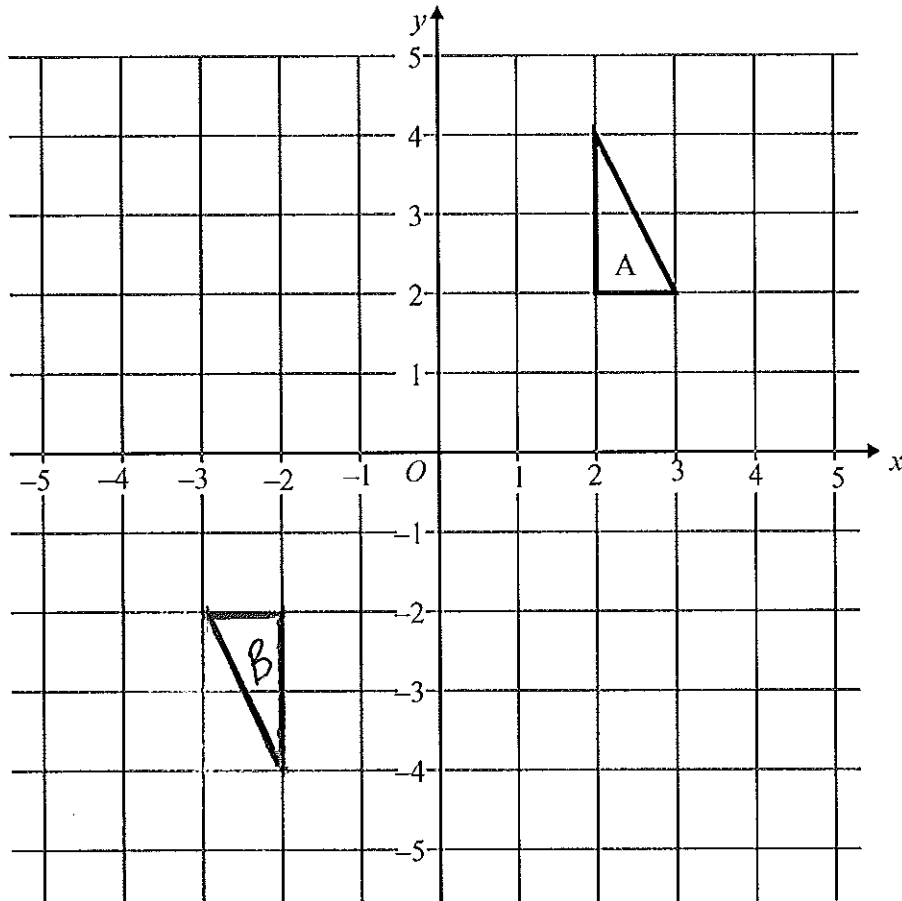


1.

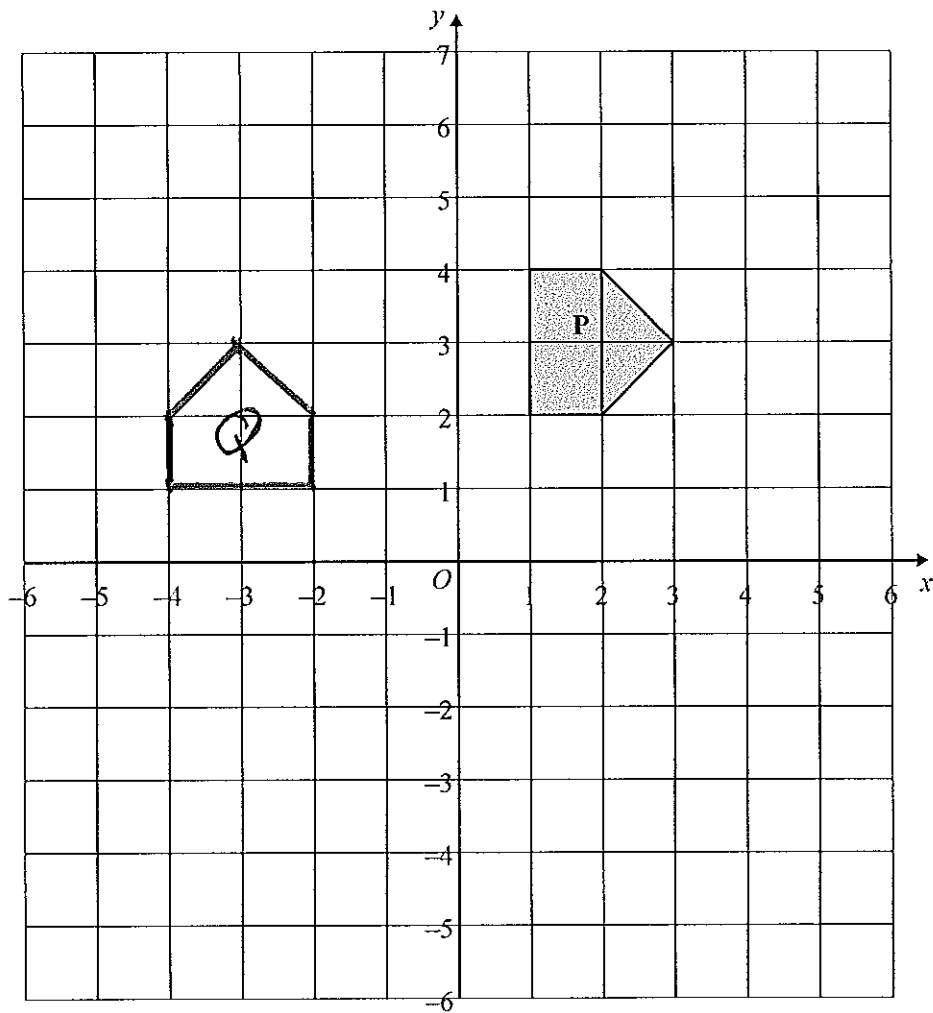


On the grid, rotate triangle A 180° about O .

Label your new triangle **B**.

(2)
(Total 2 marks)

2.



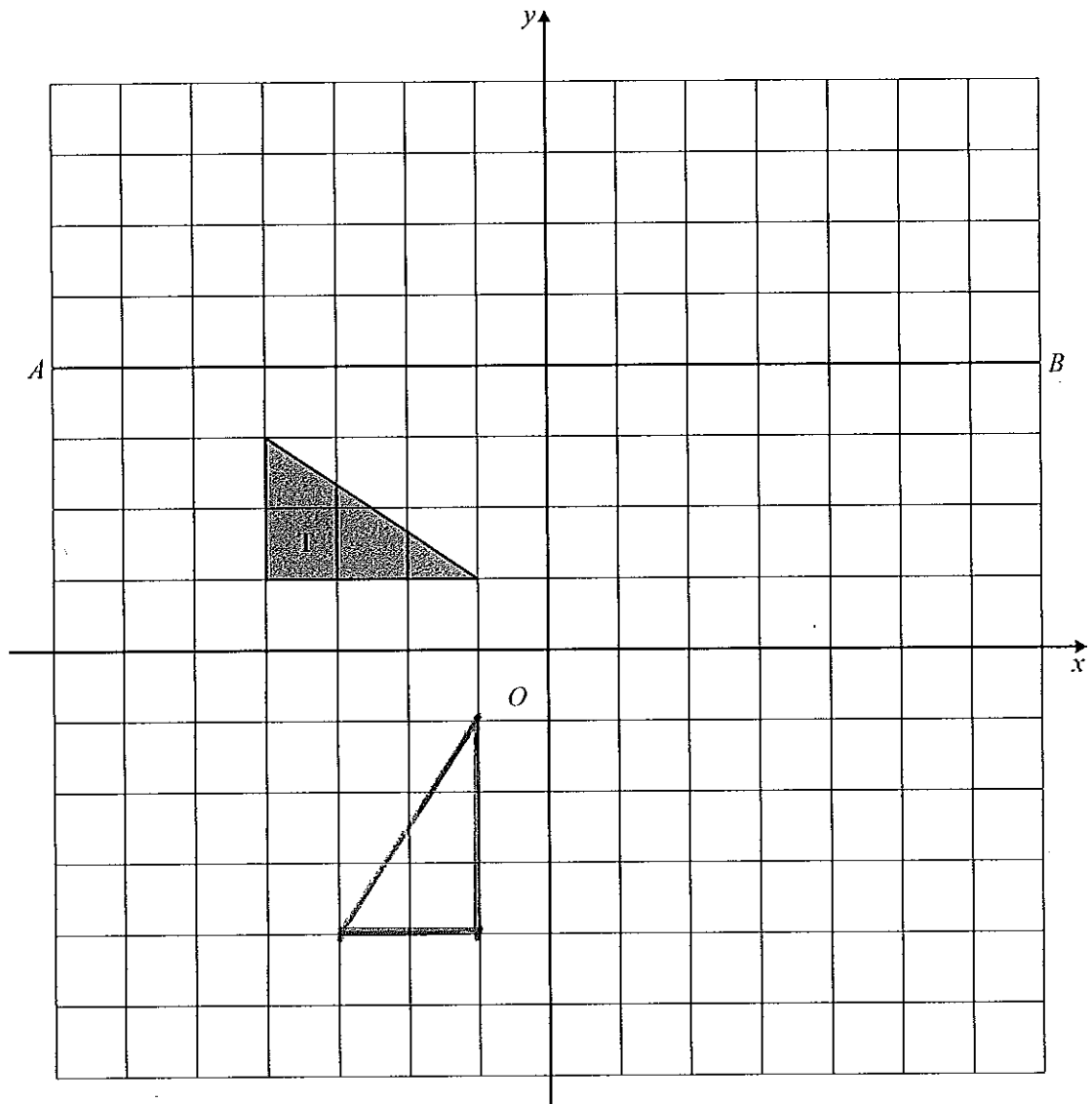
On the grid, rotate the shaded shape **P** one quarter turn anticlockwise about *O*.

Label the new shape **Q**.

(3)

(Total 3 marks)

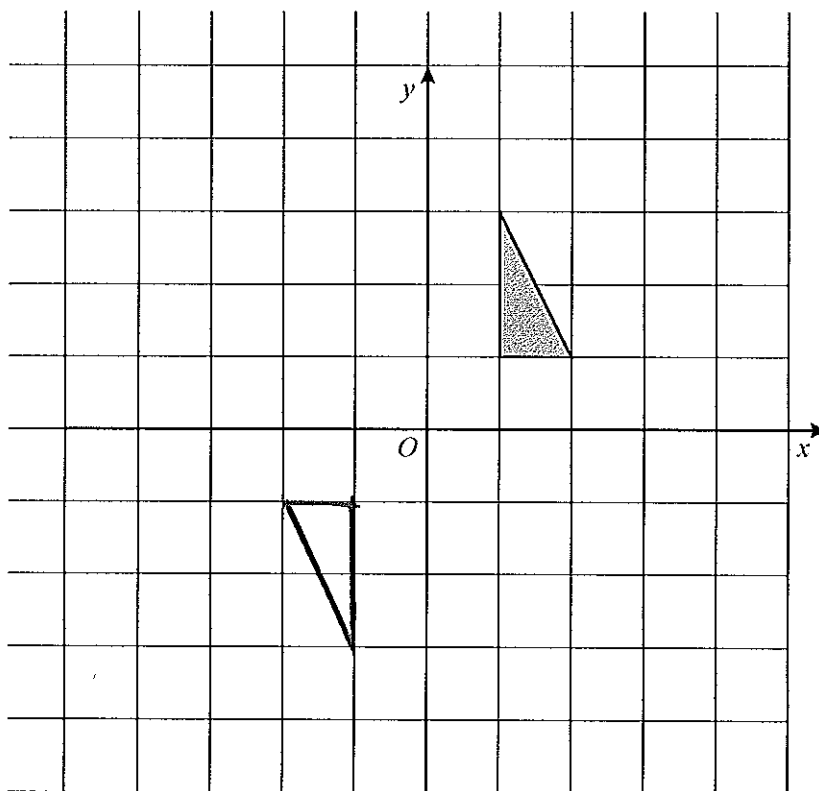
3.



Rotate the triangle a quarter turn anticlockwise, centre O .

(Total 2 marks)

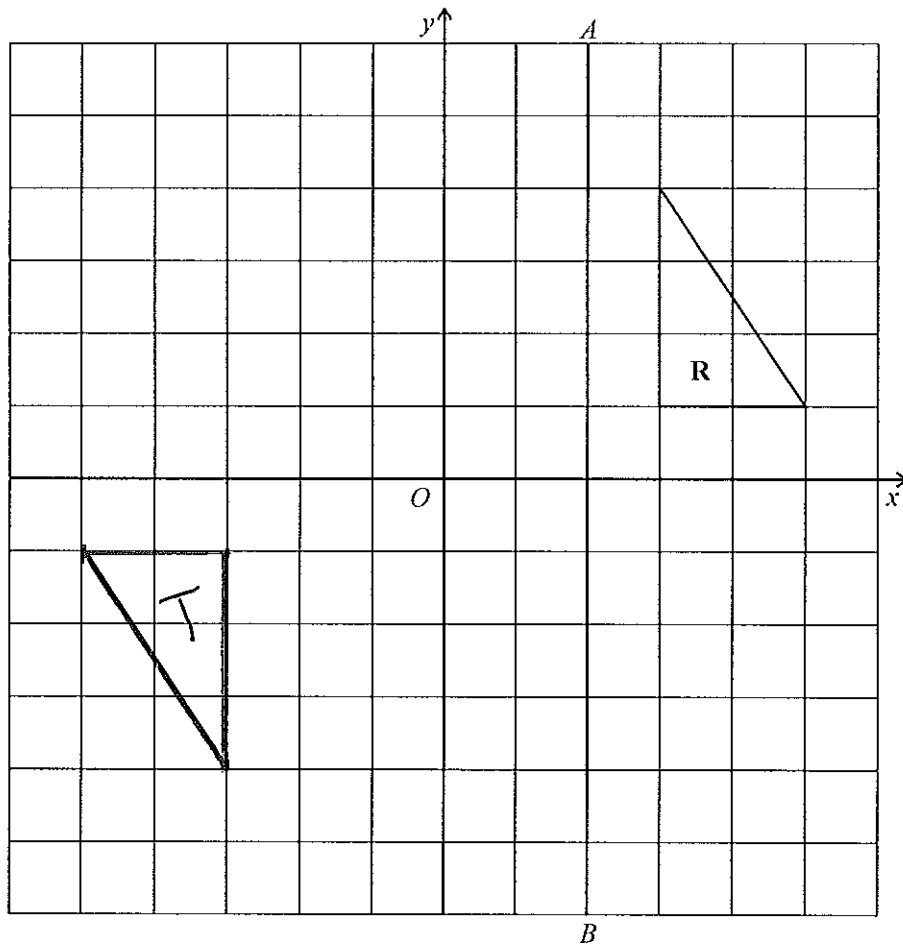
4.



Rotate the triangle a half turn about the point O .

(Total 2 marks)

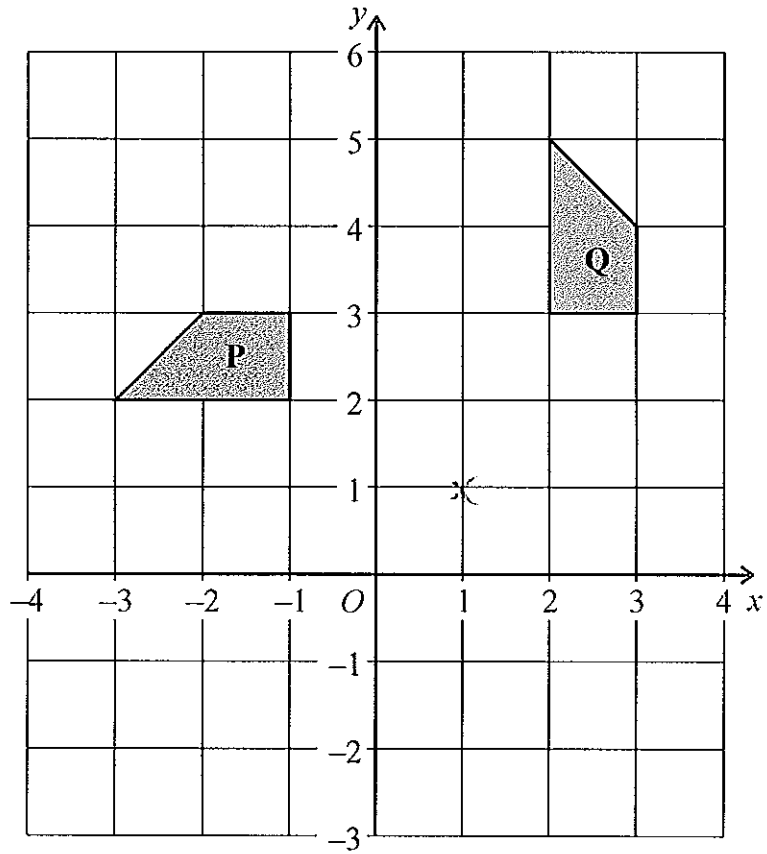
5.



Rotate triangle **R** a half turn about the point O .
Label the new triangle **T**.

(2)
(Total 2 marks)

6.

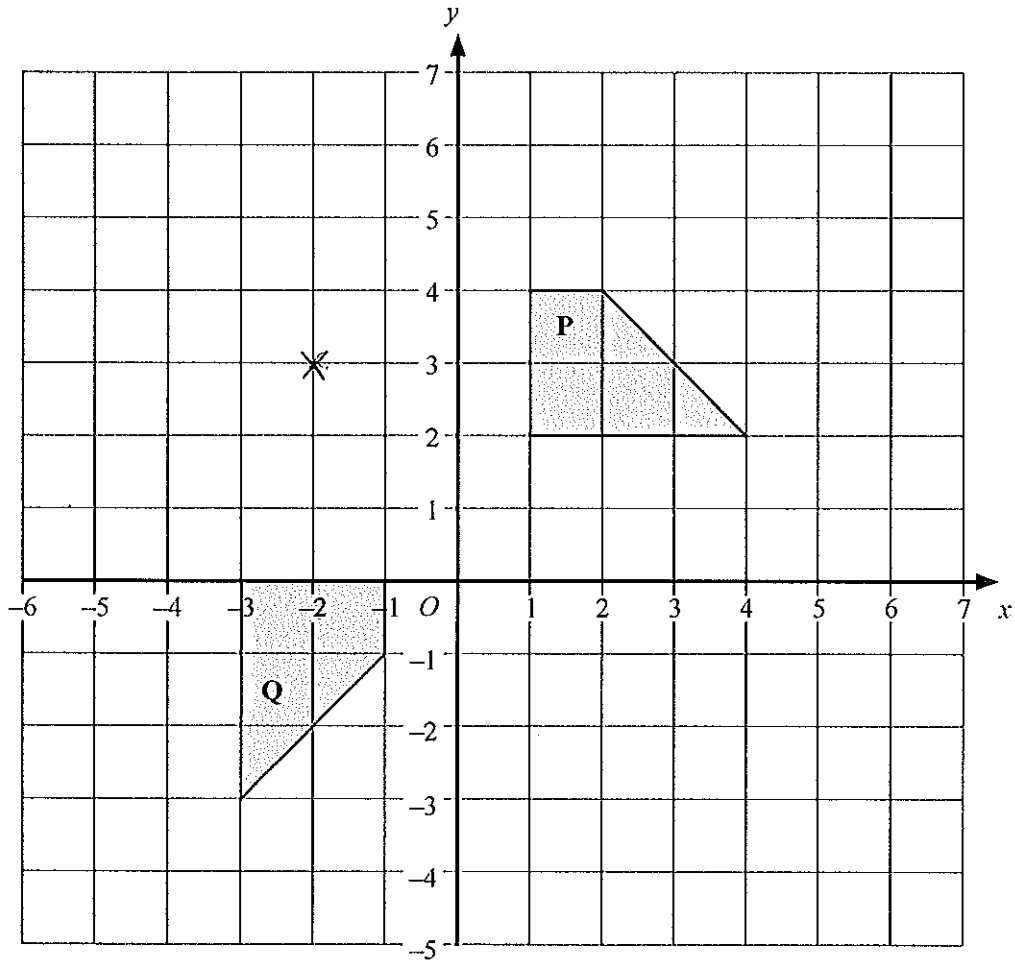


Describe fully the single transformation that maps shape P onto shape Q.

.....
Rotation, 90° clockwise, centre (1, 1).....
.....
.....
.....

(Total 3 marks)

7.



Describe fully the single transformation that will map shape P onto shape Q.

..... Rotation, 90° clockwise, centre $(-2, 3)$

.....

.....

(Total 3 marks)