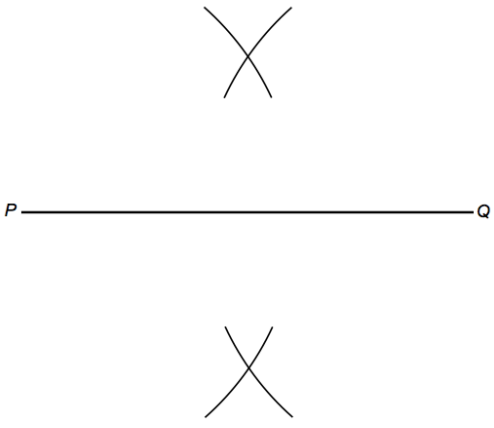
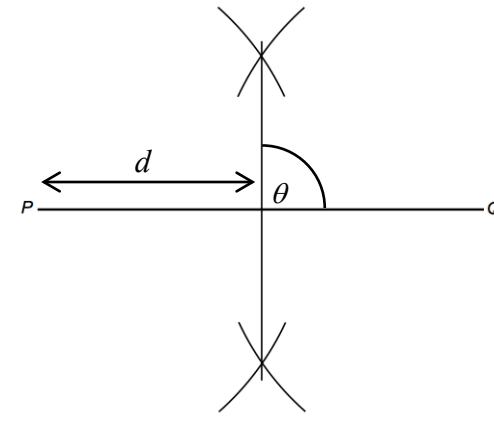


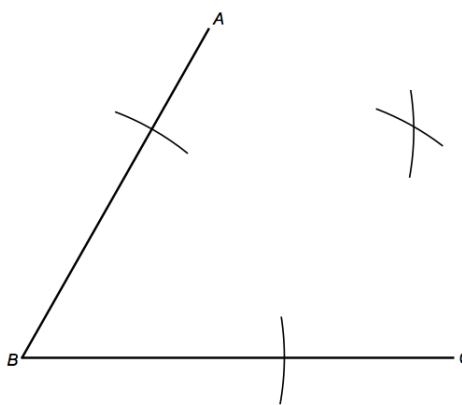
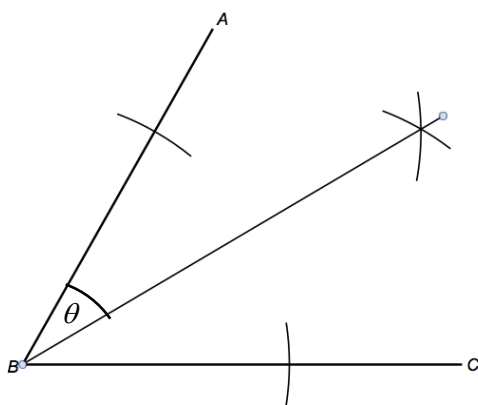
Topic Test 1 Mark Scheme

Constructions and loci - Foundation

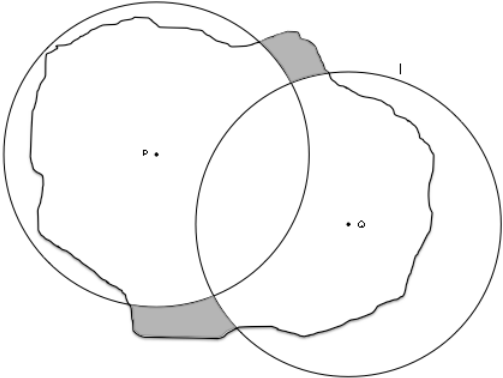
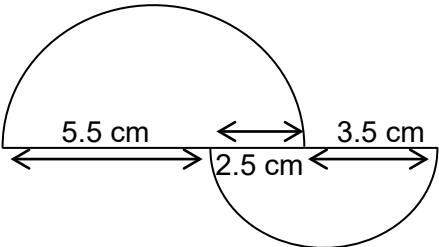
Q	Answer	Mark	Comments
1(a)	7	B1	
1(b)	50	B1	
1(c)	[53, 55]	B1	
2(a)	Intersecting arcs from both A and B of length 9 cm, with intersection joined to both A and B	B1	
2(b)	[7.75, 7.85]	B1	
3	Three circles centred on C with radii [2.9, 3.1], [3.9, 4.1] and [5.9, 6.1]	B2	B1 for two circles drawn accurately
4(a)	Any line perpendicular to LM	B1	
4(b)	Any line parallel to and twice the length of LM	B1	

Q	Answer	Mark	Comments
	<p>Arcs of equal length centred on P and Q that intersect on either side of PQ</p> 	M1	
5	<p>Perpendicular bisector within tolerance, $\theta = [89^\circ, 91^\circ]$, $d = [4.9\text{cm}, 5.1\text{ cm}]$</p> 	A1	

Q	Answer	Mark	Comments
---	--------	------	----------

6	<p>Arcs on each ray of equal length centred on B, and intersecting arcs of equal length centred on these arcs.</p> 	M1	
	<p>Angle bisector within tolerance, $\theta = [29^\circ, 31^\circ]$</p> 	A1	

7(a)	A	B1	
7(b)	<p>(FORWARD 6 cm TURN RIGHT) FORWARD 4 cm TURN RIGHT FORWARD 6 cm TURN RIGHT FORWARD 4 cm</p>	B2	<p>B1 if all turns are RIGHT B1 if distances alternate 4, 6, 4</p>

Q	Answer	Mark	Comments
8		B2	<p>B1 for a circle drawn with radius 6 cm from P or Q.</p> <p>B1 for two circles of equal radii drawn from P and Q and areas of no mobile phone coverage marked.</p>
9		B2	B1 both semicircles drawn accurately