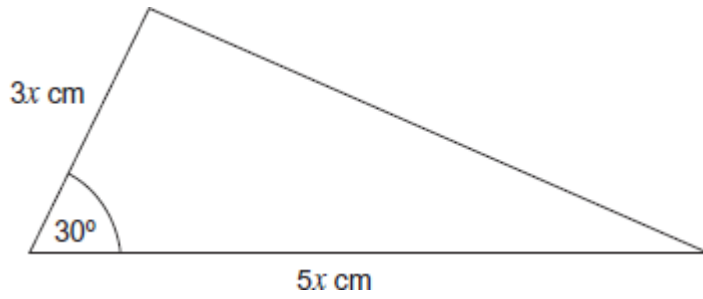


**Q1.**

The area of the triangle is  $45 \text{ cm}^2$

Not drawn accurately



Work out the value of  $x$ .

.....

.....

.....

.....

.....

.....

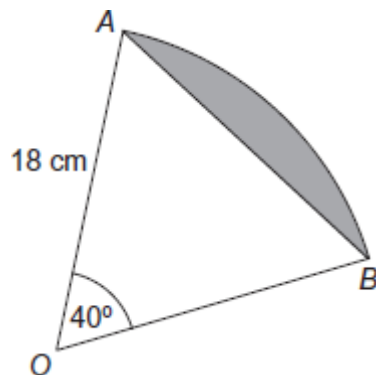
Answer .....

**(Total 4 marks)**

**Q2.**

The diagram shows a sector of a circle, centre  $O$ , radius  $18 \text{ cm}$

Not drawn accurately



Work out the area of the shaded segment.

.....

.....

.....

.....

.....

.....

.....

Answer ..... cm<sup>2</sup>

(Total 3 marks)

Q3.(a) Show clearly that  $(x - y)(x + y) \equiv x^2 - y^2$

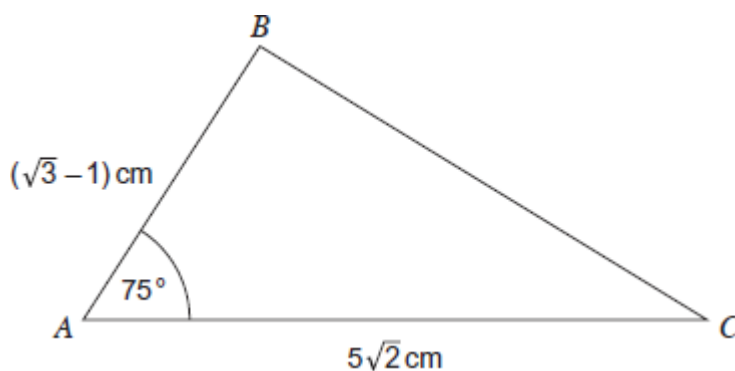
.....

.....

(1)

(b)

Not drawn accurately



Show that the area of triangle ABC is  $2\frac{1}{2} \text{ cm}^2$

.....

.....

.....

.....

.....

.....

.....

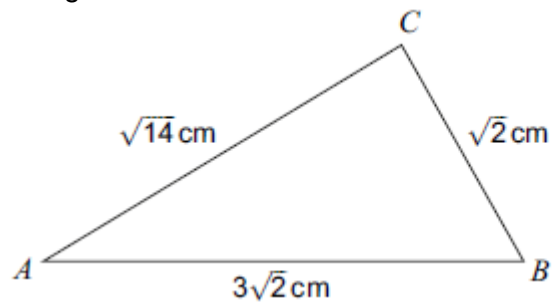
.....

.....

(3)  
(Total 4 marks)

**Q4.**

(a) Here is triangle  $ABC$



Not drawn accurately

Show that angle  $B = 60^\circ$

.....

.....

.....

.....

.....

.....

.....

.....

(3)

(b) Hence work out the area of triangle  $ABC$

.....

.....

.....

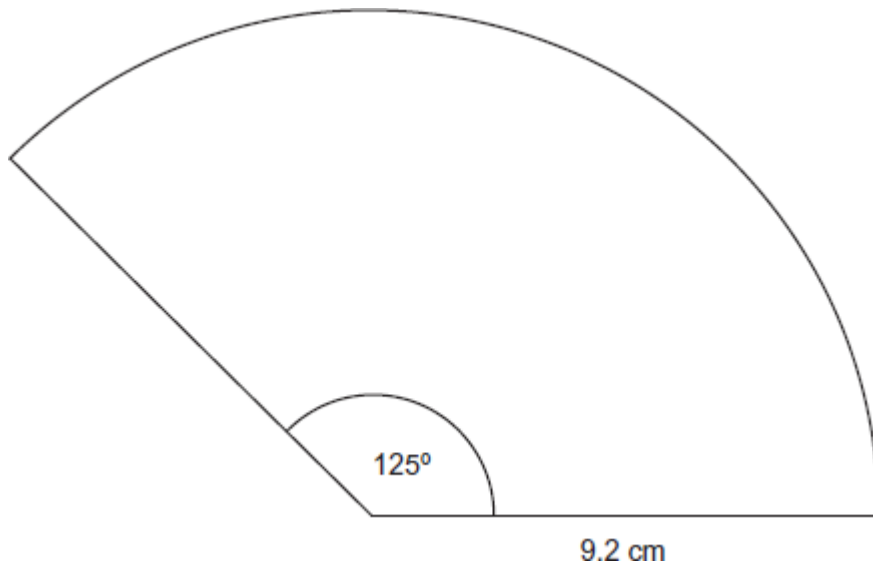
.....

Answer .....  $\text{cm}^2$

(3)  
(Total 6 marks)

**Q5.** The diagram shows a sector of a circle with radius 9.2 cm

Not drawn accurately



(a) Work out the area of the sector.

.....

.....

.....

.....

.....

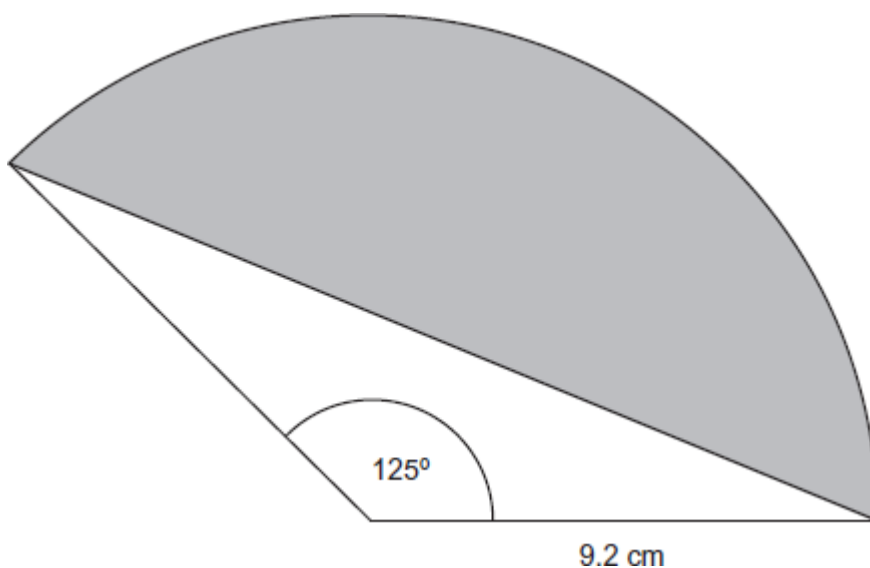
.....

Answer ..... cm<sup>2</sup>

(3)

(b) Work out the area of the shaded segment.

Not drawn accurately



.....

.....

.....

.....

.....

.....

.....

.....

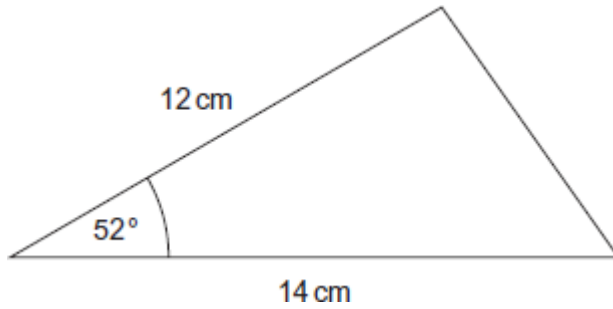
Answer ..... cm<sup>2</sup>

(3)  
(Total 6 marks)

**Q6.** The area of this triangle is 18cm<sup>2</sup>



Not drawn accurately



State the units of your answer.

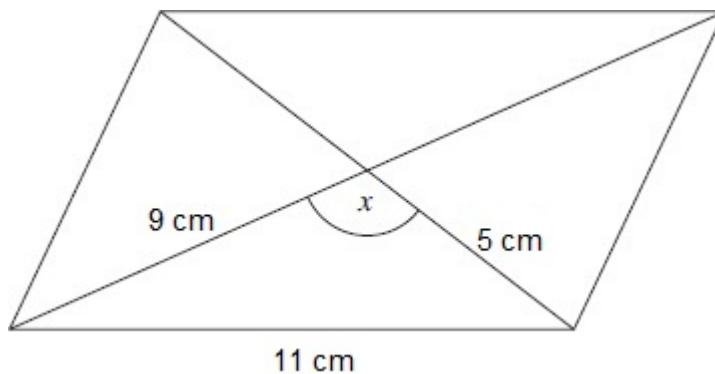
.....  
.....  
.....  
.....

Answer .....

**(Total 3 marks)**

**Q8.** The diagram shows a parallelogram.

Not drawn accurately



(a) Work out the size of angle  $x$ .

.....  
.....  
.....  
.....  
.....  
.....

Answer ..... degrees

(3)

(b) Work out the area of the parallelogram.

.....  
.....  
.....  
.....

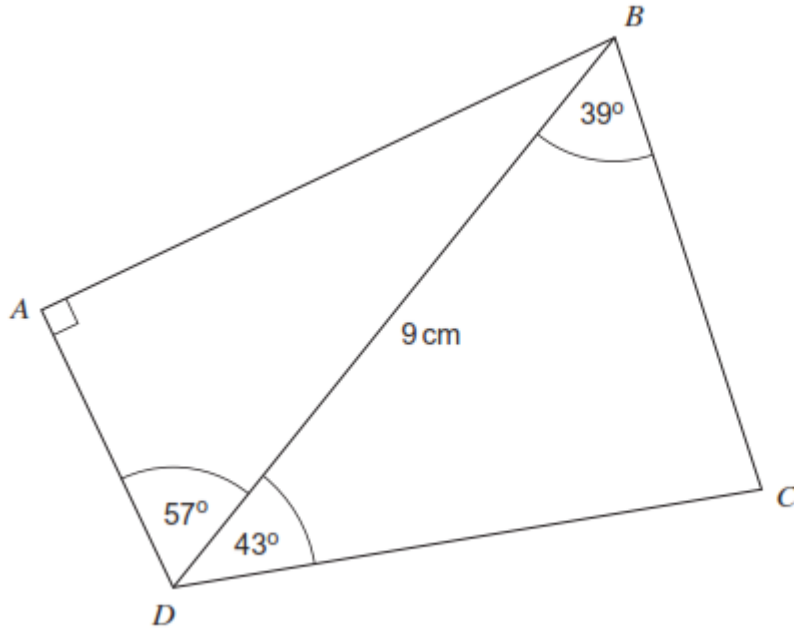
Answer .....  $\text{cm}^2$

(3)

(Total 6 marks)

**Q9.** Work out the area of  $ABCD$ .





Not drawn accurately

.....

.....

.....

.....

.....

.....

.....

.....

.....

.....

.....

.....

.....

.....

.....

.....

.....

.....

.....

.....

.....

.....

Answer ..... cm<sup>2</sup>

(Total 7 marks)



