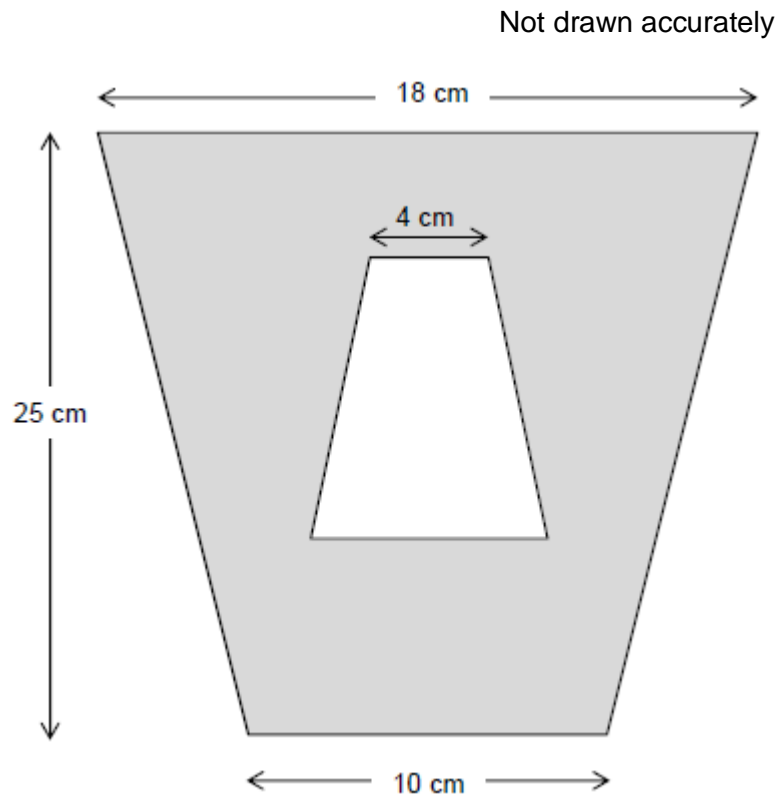


Q1.

A pattern is made from two **similar** trapeziums.



Show that the shaded area is 294 cm^2

.....

.....

.....

.....

.....

.....

.....

.....

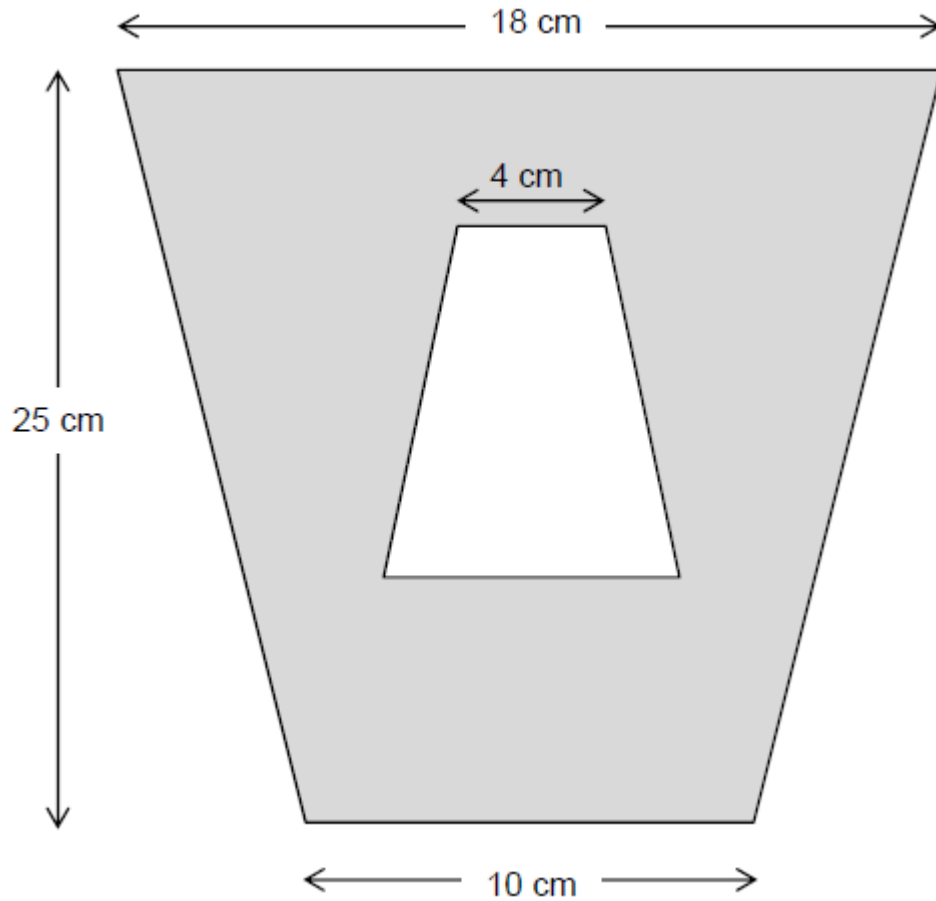
.....

(Total 4 marks)

Q2.

(a) A pattern is made from two **similar** trapeziums.

Not drawn accurately



Show that the shaded area is 294 cm^2

.....

.....

.....

.....

.....

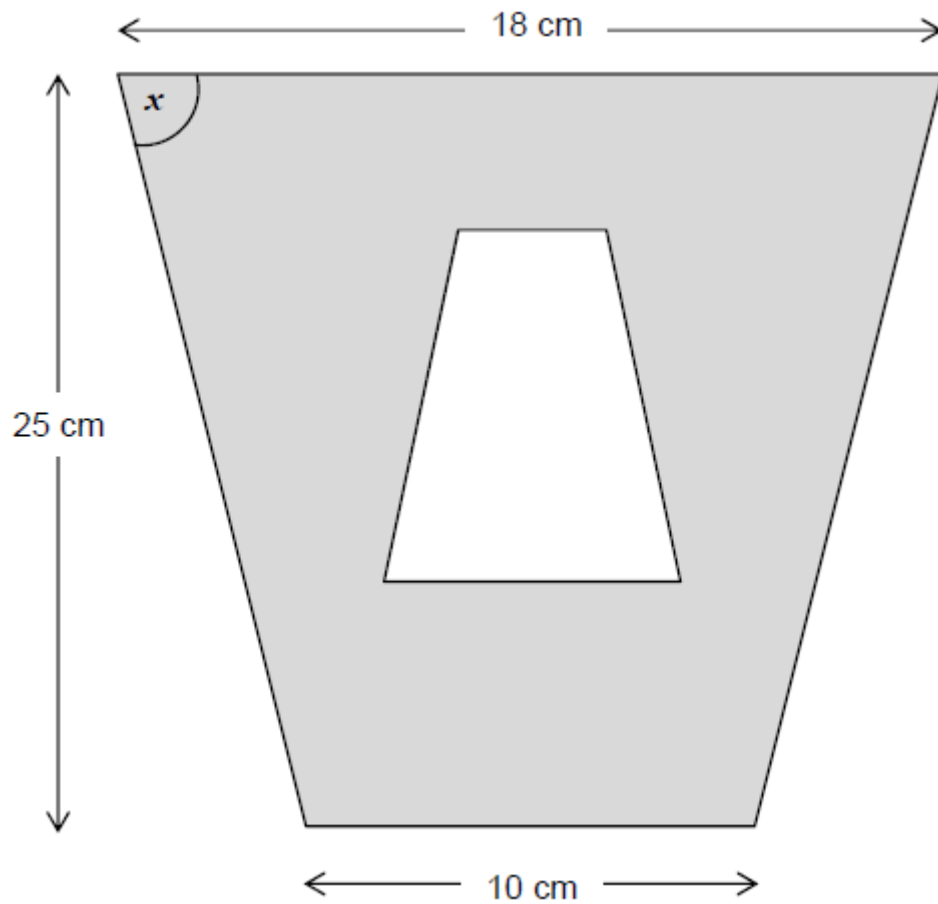
.....

.....

(4)

(b) The pattern has one line of symmetry.

Not drawn accurately



Work out the size of angle x .

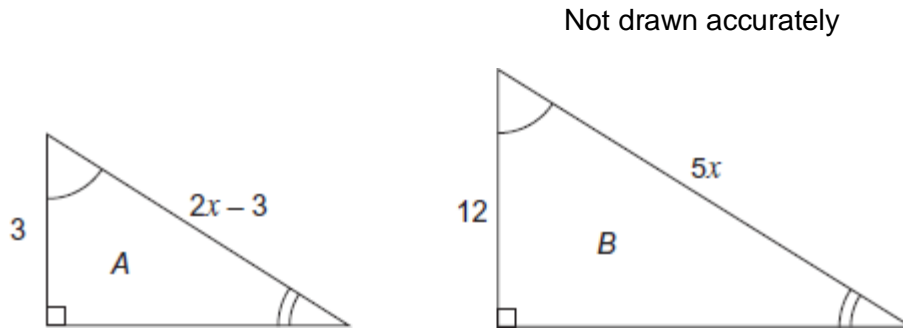
.....

Answerdegrees

(3)
(Total 7 marks)

Q3.

A and *B* are similar triangles.
All measurements are in centimetres.



Work out the area of triangle *B*.

.....

.....

.....

.....

.....

.....

.....

.....

.....

.....

.....

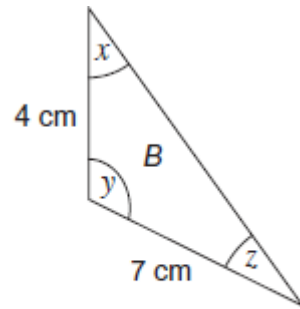
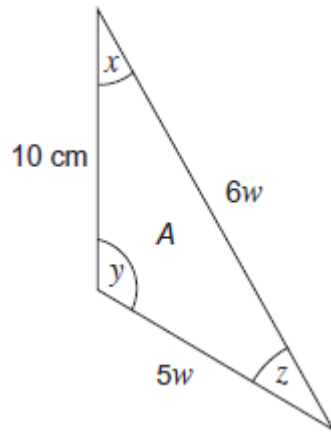
Answer cm²

(Total 7 marks)

Q4.

A and *B* are similar triangles.

Not drawn accurately



(a) Circle the scale factor from A to B.

- 6 $\frac{2}{5}$ $\frac{5}{2}$ 6

(1)

(b) Work out the perimeter of triangle B.

.....

.....

.....

.....

.....

.....

.....

.....

.....

.....

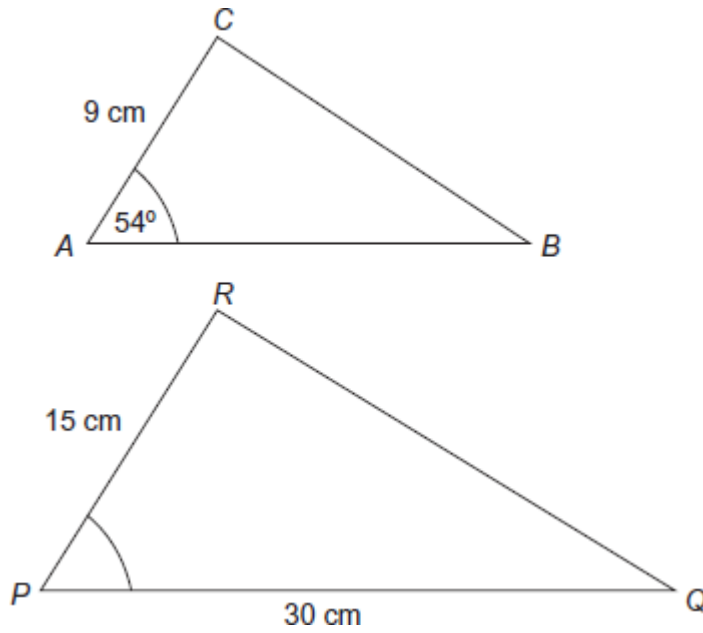
Answer cm

(4)
(Total 5 marks)

Q5.

Triangle PQR is an enlargement of triangle ABC.

Not drawn accurately



- (a) Work out the scale factor of the enlargement.

.....

Answer

(1)

- (b) Write down the size of angle P .

Answer degrees

(1)

- (c) Work out the length AB .

.....

.....

Answer cm

(1)

(Total 3 marks)

Q6.

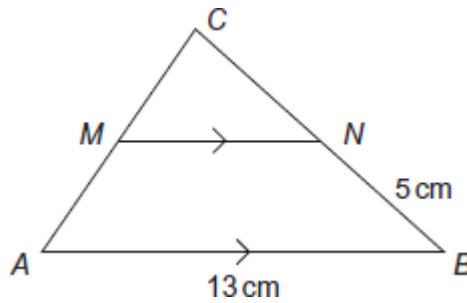
The perimeter of the triangle ABC is 30 cm.

M is the midpoint of side AC .

MN is parallel to AB .

$NB = 5$ cm, $AB = 13$ cm

Not drawn accurately



Work out the length MA .

.....

.....

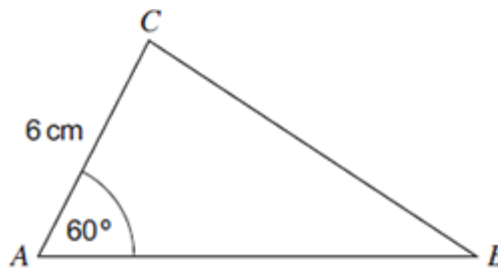
.....

.....

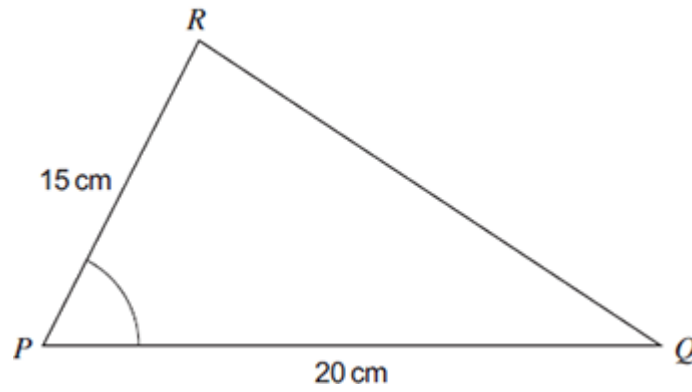
Answer cm

(Total 3 marks)

Q7. PQR is an enlargement of ABC .



Not drawn accurately



(a) Work out the scale factor of the enlargement.

.....

Answer

(1)

(b) Write down the size of angle P .

Answer degrees

(1)

(c) Work out the length AB .

.....

.....

Answer cm

(2)

(Total 4 marks)