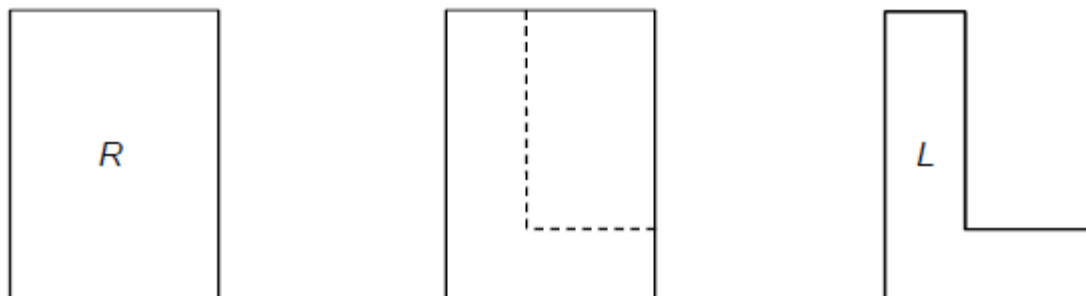


Q1.Shape R is a rectangle.A smaller rectangle is cut from R to form shape L .

Not drawn accurately

Which **one** of these statements is true?

Tick a box.

The perimeter of R is **longer than** the perimeter of L The perimeter of R is the **same as** the perimeter of L The perimeter of R is **shorter than** the perimeter of L It is **not** possible to tell which perimeter is longer**(Total 1 mark)****Q2.**

A wheel has diameter 0.7 m

(a) Work out the circumference.

.....

.....
.....
.....

Answer m

(2)

- (b) Work out the number of complete turns when the wheel travels 1.6 km
You **must** show your working.

.....
.....
.....
.....
.....
.....

Answer

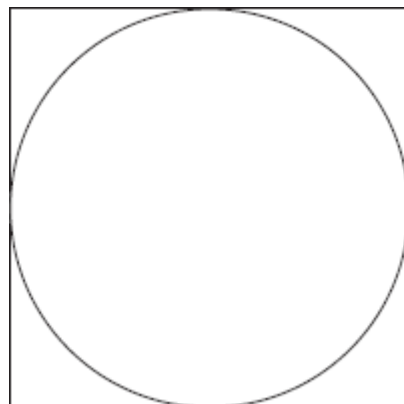
(4)

(Total 6 marks)

Q3.

The area of this square is 36 cm^2

Not drawn accurately



Work out the circumference of the circle.

.....
.....
.....
.....
.....

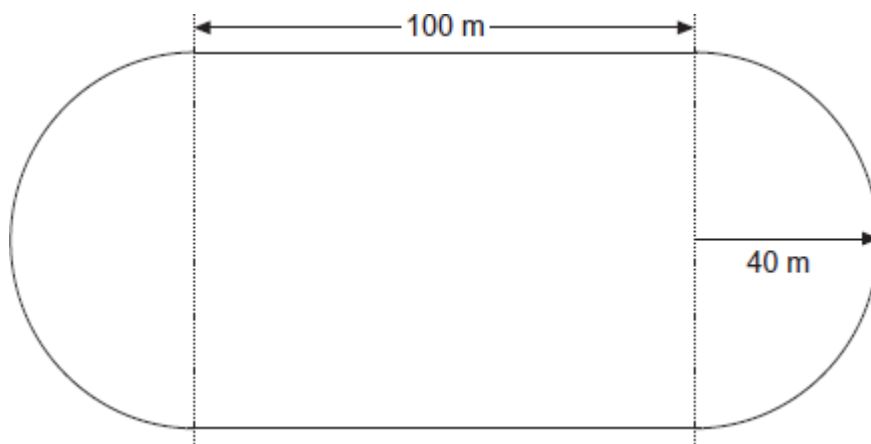
Answer cm

(Total 3 marks)

Q4.

A cycle track has two identical semi-circular ends and two straight sides as shown.

Not drawn accurately



A cyclist completes one lap.

Her average speed is 18 m / s

Her target time to complete one lap is 30 seconds.

Does she beat her target?

You **must** show your working.

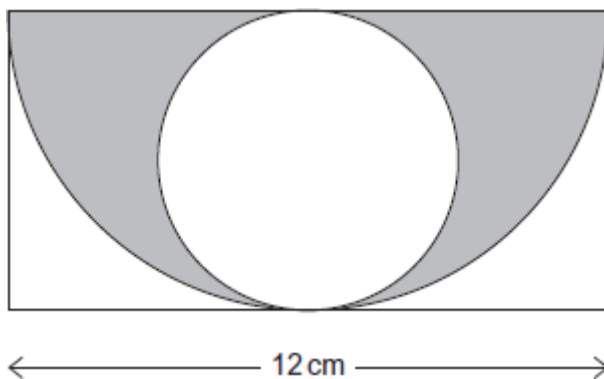
.....
.....
.....
.....
.....
.....
.....

Answer

(Total 4 marks)

Q5. The diagram shows a rectangle, a semi-circle and a circle.

Not drawn accurately



Work out the area of the **circle**.

.....

.....

.....

.....

.....

.....

.....

.....

Answercm²

(Total 4 marks)

Q6. The centre circle on a football pitch has radius 9.15 metres.

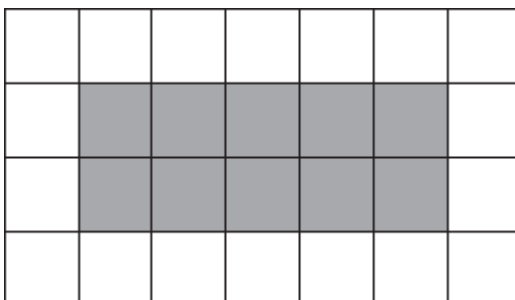
Work out the circumference of the circle.

.....

Answer metres

(Total 2 marks)

Q7.(a) The diagram shows a rectangle on a centimetre grid.



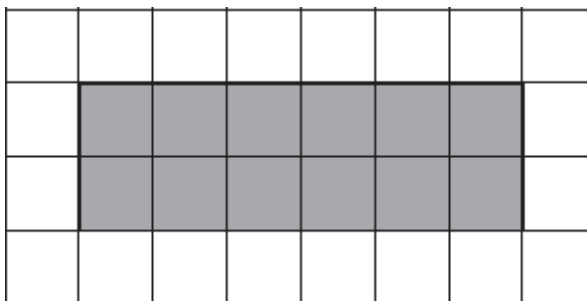
The **perimeter** of this rectangle is 14 cm

Why is it **not** possible to draw a square of perimeter 14 cm using whole squares on a centimetre grid?

.....

(1)

(b) Here is another rectangle on a centimetre grid.



The **area** of this rectangle is 12 cm²

Why is it **not** possible to draw a square of area 12 cm² using whole squares on a centimetre grid?

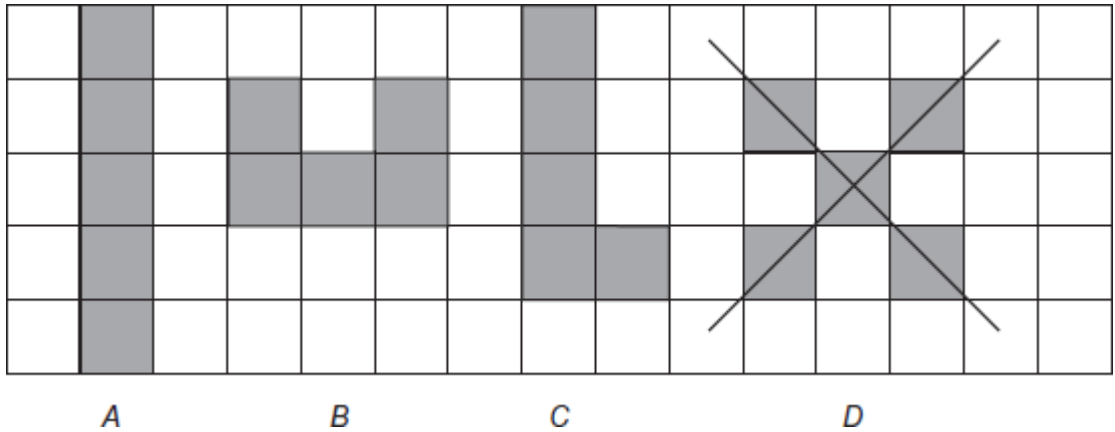
.....

.....

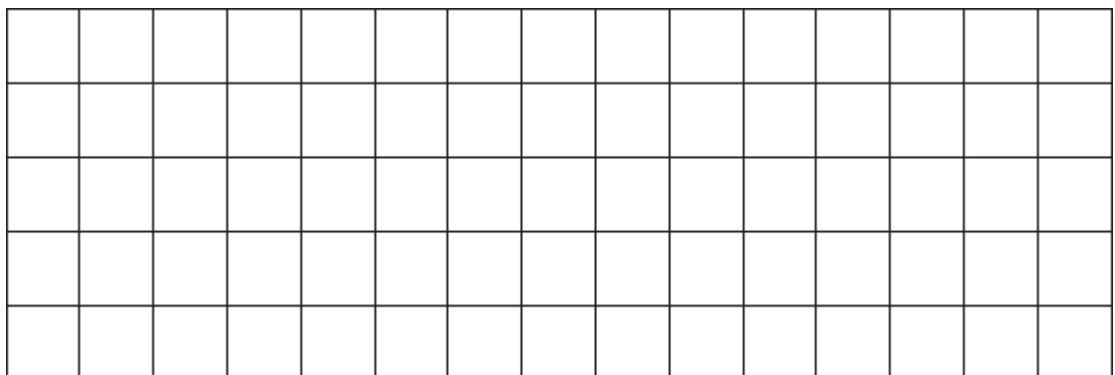
(1)

- (c) A Pentomino is a shape that has five squares joined to each other. The squares cannot overlap or be joined corner to corner.

A, *B* and *C* are Pentominoes.
D is **NOT** a Pentomino.

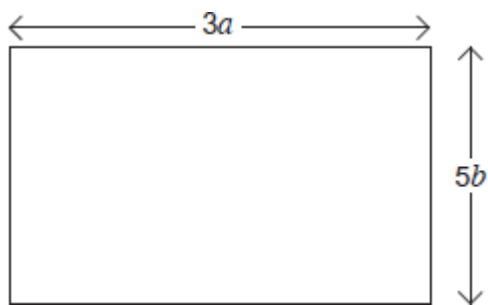


On this square grid, draw a different Pentomino that has
 no lines of symmetry
and
 rotational symmetry of order 2



(2)
 (Total 4 marks)

Q8. The diagram shows a rectangle.



(a) Write down an expression for the **perimeter** of the rectangle.

Simplify your answer.

.....

Answer

(2)

(b) Write down an expression for the **area** of the rectangle.

Simplify your answer.

.....

Answer

(2)

(c) You are given that a and b are prime numbers.

The **area** of the rectangle is 315 cm^2

Work out the values of a and b .

Answer cm and cm

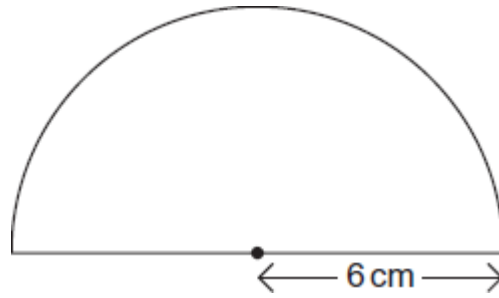
(2)

(Total 6 marks)

Q9. Work out the area of a semi-circle of radius 6 cm.

Give your answer in terms of π .

Not drawn accurately



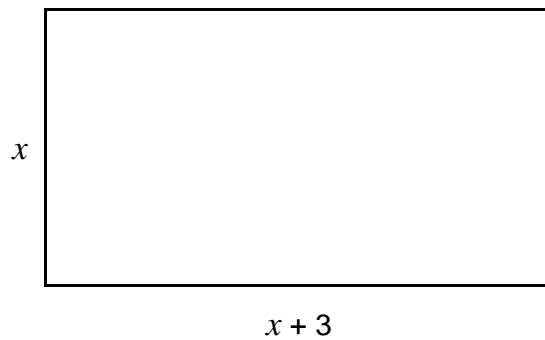
.....
.....
.....

Answer cm²

(Total 2 marks)

Q10. The perimeter of the rectangle is 37 cm.

Not drawn accurately



Work out the value of x .

.....
.....
.....
.....
.....

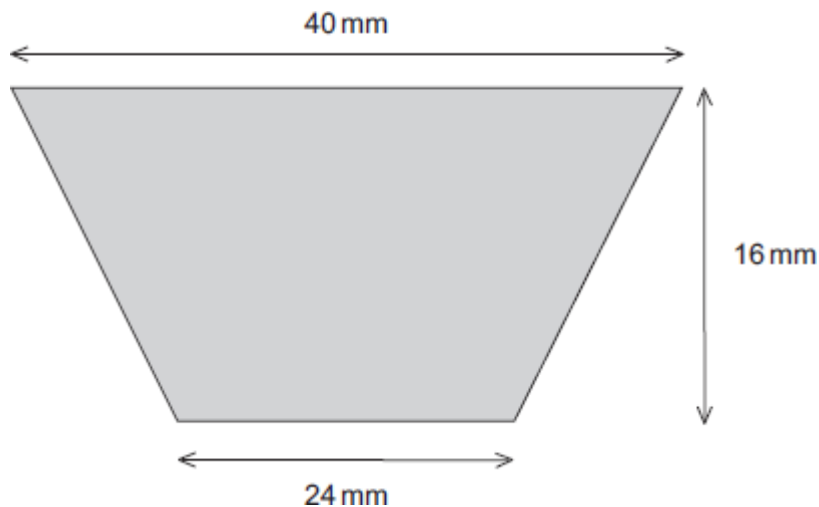
$x = \dots\dots\dots$ cm

(Total 3 marks)

Q11.

(a) A jeweller has a piece of silver in the shape of a trapezium.

Not drawn accurately



Work out the area of the trapezium.

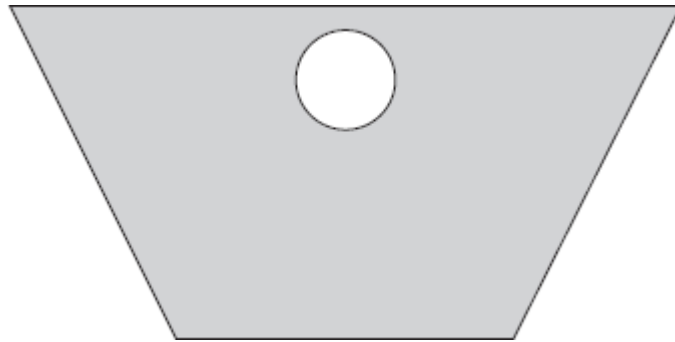
.....

Answer mm²

(2)

(b) She cuts out a circle of radius 4 mm from the trapezium to make a pendant.

Not drawn accurately



Work out the area of the circle.

.....
.....

Answer mm²

(2)

(c) The silver from the circle is waste material.

What percentage of silver does the jeweller waste making the pendant?

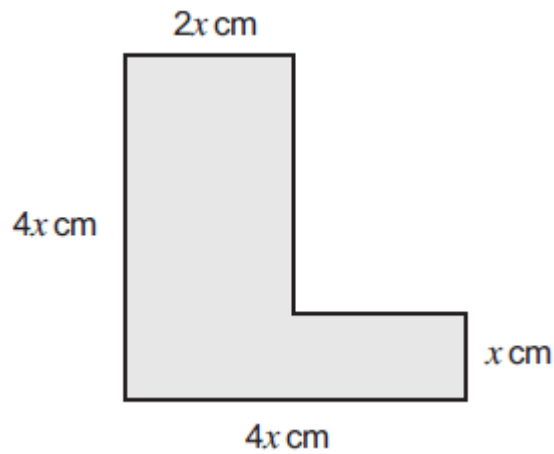
.....
.....
.....

Answer %

(2)
(Total 6 marks)

Q12.The perimeter of this L-shape is 56 cm.

Not drawn accurately



Set up and solve an equation to work out the value of x .

.....

.....

.....

.....

.....

$x =$

(Total 4 marks)

Q13. Work out the circumference of a circle, radius 4.2 cm.
Give your answer to 1 decimal place.

.....

.....

.....

Answer cm

(Total 3 marks)

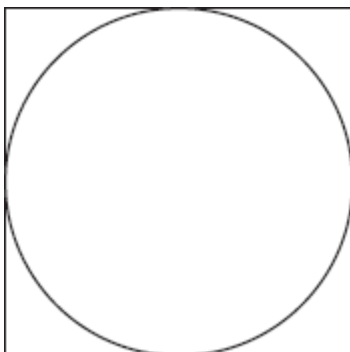
Q14. Work out the area of a circle, radius 3.5 cm.
Give your answer to 1 decimal place.

.....

Answer cm²

(Total 3 marks)

Q15. A circle is drawn inside a square as shown.



Show that the area of the circle is more than 75% of the area of the square.

.....

(Total 4 marks)

