

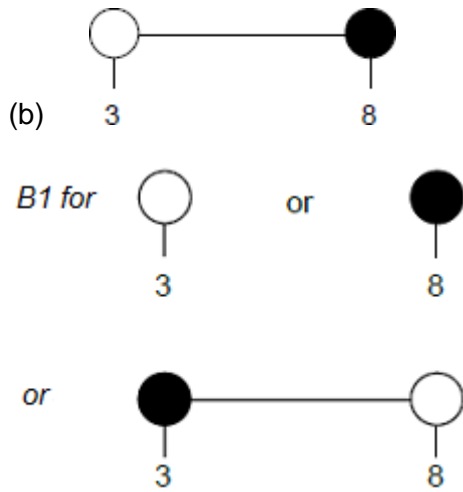
M1.(a) $4x \leq 13 + 7$ or $x - \frac{7}{4} \leq \frac{13}{4}$ oe

M1

$x \leq 5$

SC1 $x < 5$ or $x = 5$ or $x \geq 5$

A1



B2

[4]

M2.(a) $3x \geq 16 + 5$ or $3x \geq 21$
 oe $x \geq \frac{21}{3}$

M1

$x \geq 7$

oe

A1

(b) $-2 \leq 2y \leq 6$

B1

