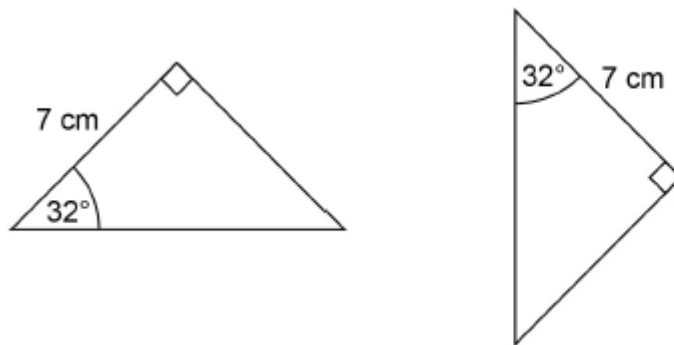


Non-Calculator

Q1.



Not drawn accurately

Circle the reason why these triangles are congruent.

SSS

SAS

ASA

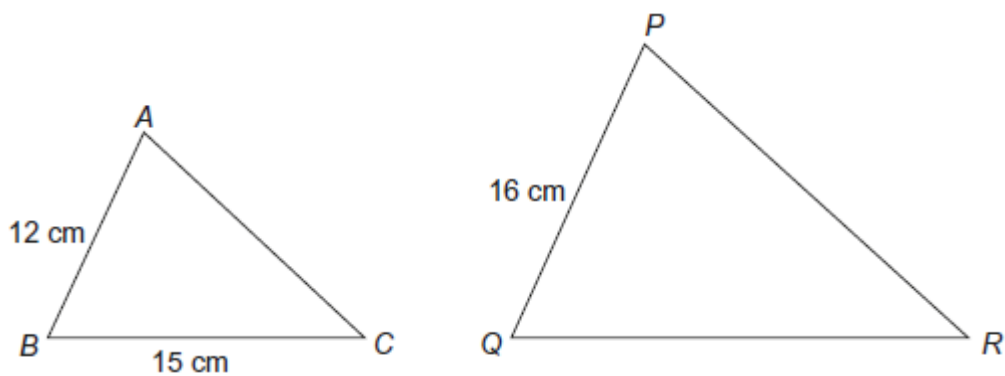
RHS

(Total 1 mark)

Q2.

Triangles ABC and PQR are similar.

Not drawn accurately



Work out the length QR .

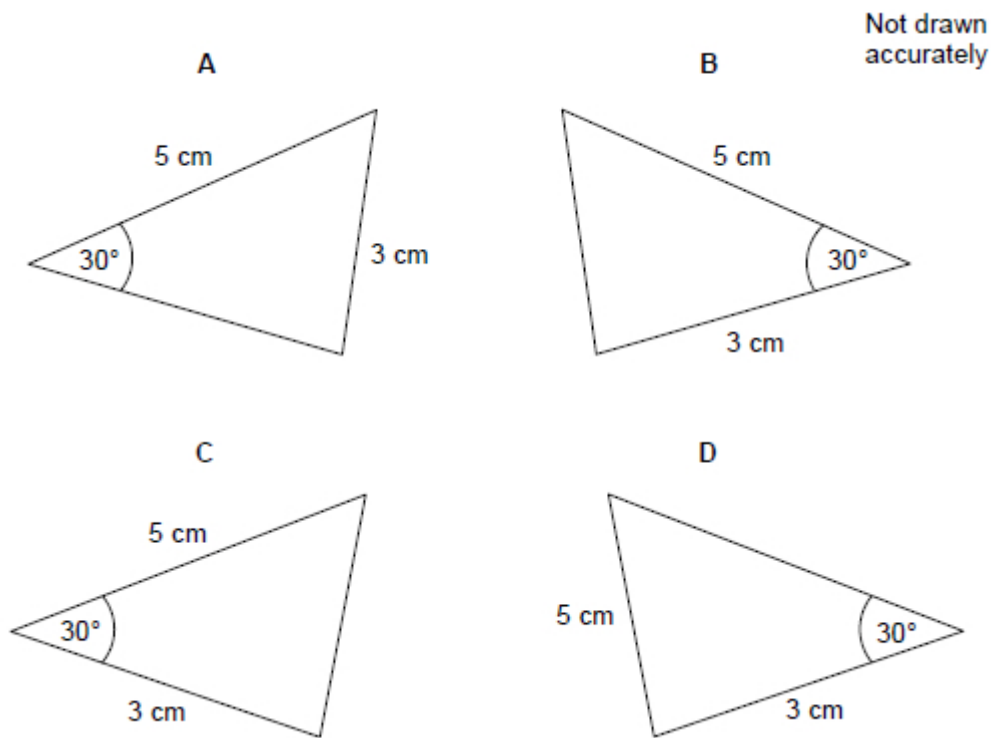
Answer _____ cm

(Total 2 marks)

Calculator

Q3.

Here are four triangles.



- (a) Which **two** triangles are congruent?
Circle your answers.

A

B

C

D

(1)

- (b) Circle the reason for your answer to part (a).
Circle your answers.

SSS

ASA

SAS

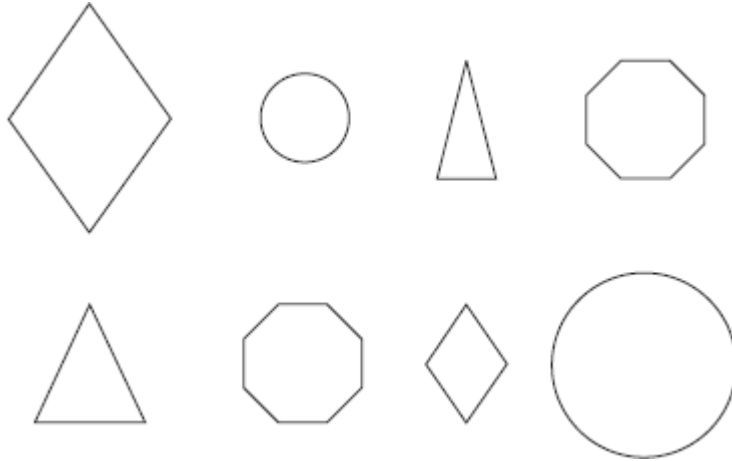
RHS

(1)

(Total 2 marks)

Q4.

Here are some shapes.



In each part, decide whether the shapes shown are similar, congruent or neither.

Circle your answers.

(a) The triangles are

similar

congruent

neither

(1)

(b) The circles are

similar

congruent

neither

(1)

(c) The rhombuses are

similar

congruent

neither

(1)

(d) The octagons are

similar

congruent

neither

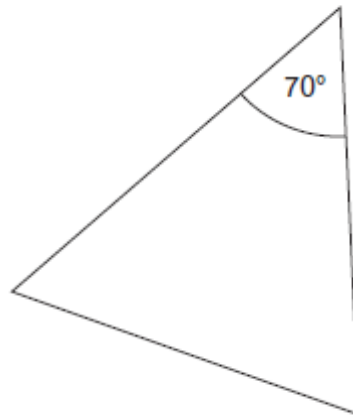
(1)

(Total 4 marks)

Q6.

This triangle is isosceles.

Not drawn accurately



Work out the angles of the **two** possible triangles.

70°, _____, _____
and 70°, _____, _____

(Total 3 marks)

Q7.

Which of these is **not** used to prove that triangles are congruent?

Circle your answer.

SSS

SAS

AAA

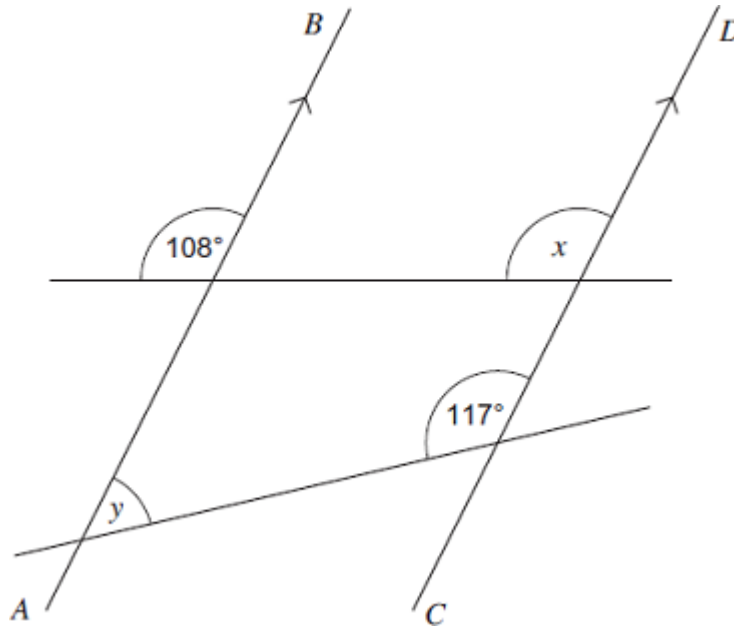
RHS

(Total 1 mark)

Q8.

AB is parallel to CD .

Not drawn accurately



- (a) Write down the size of angle x .
Give a reason for your answer.

Answer _____ degrees

Reason _____

(2)

- (b) Work out the size of angle y .

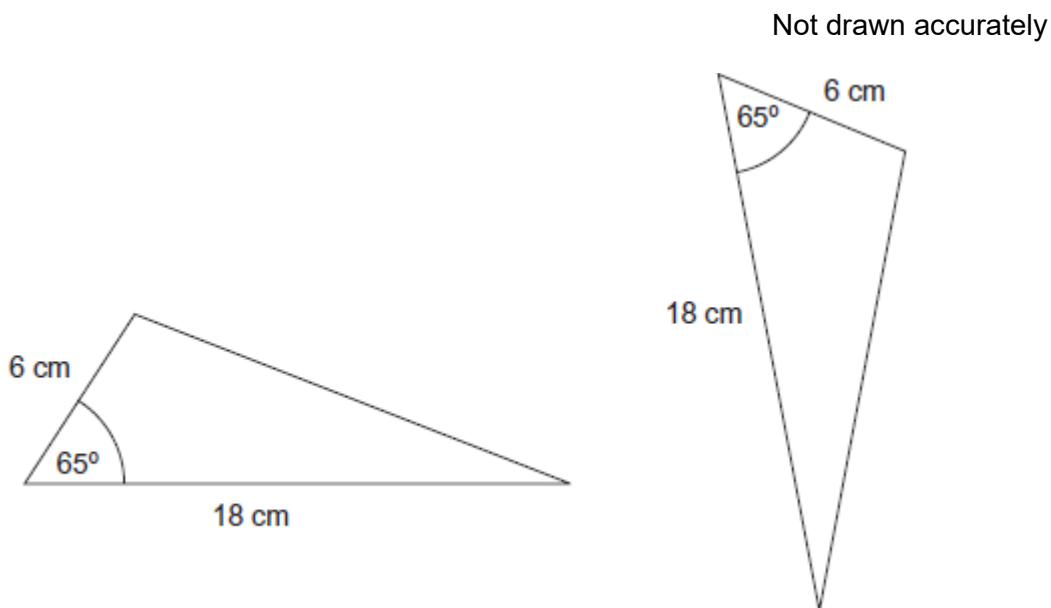
Answer _____ degrees

(2)

(Total 4 marks)

Q9.

(a) These triangles are congruent.



State the condition they satisfy.

Answer _____

(1)

(b) These triangles are congruent.



State the condition they satisfy.

Answer _____

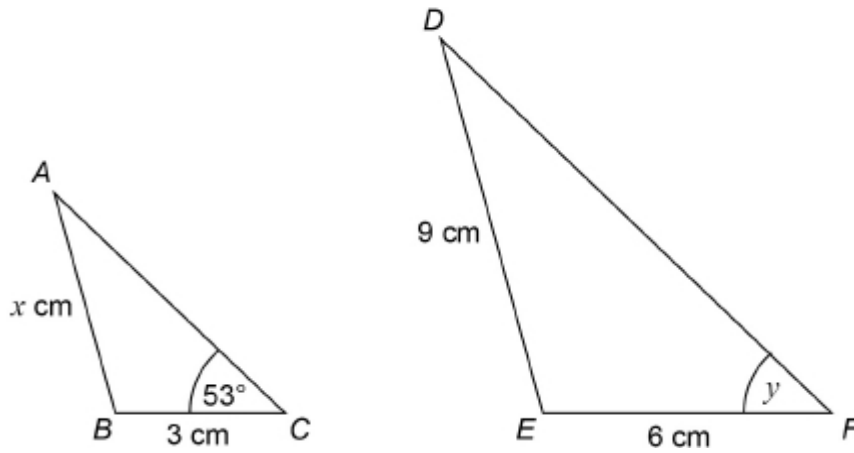
(1)

(Total 2 marks)

Q10.

Triangles ABC and DEF are similar.

Not drawn accurately



- (a) Work out the value of x .

Answer _____

(2)

- (b) Write down the size of angle y .

Answer _____ degrees

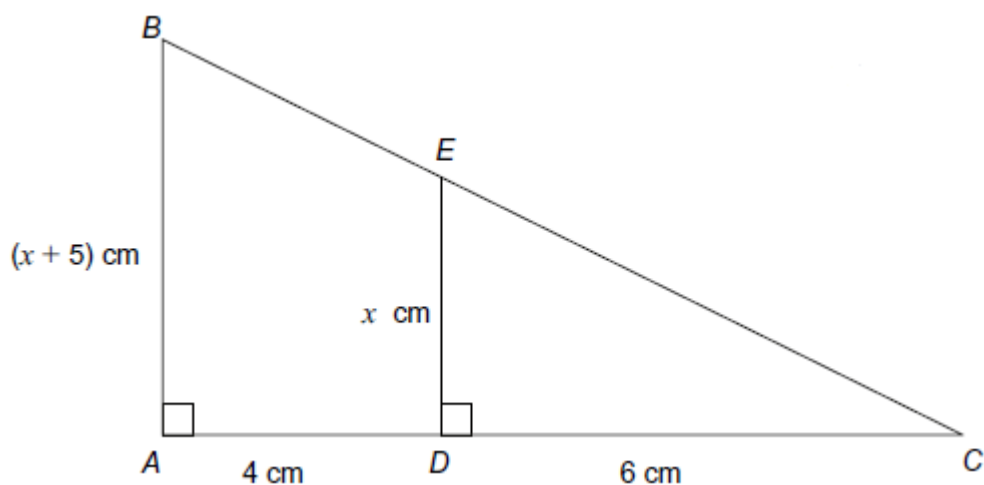
(1)

(Total 3 marks)

Q11.

ABC and DEC are similar triangles.

Not drawn accurately



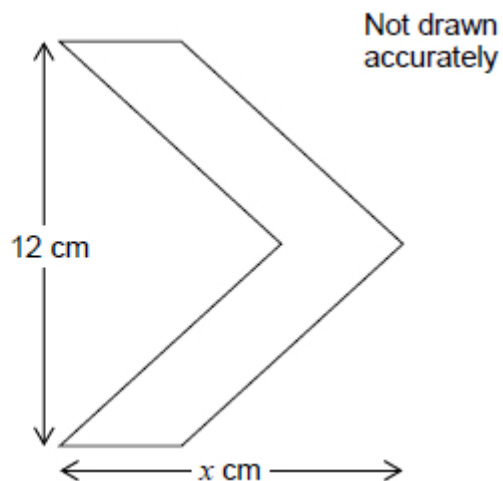
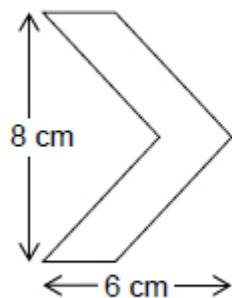
Work out the value of x .

Answer _____ cm

(Total 4 marks)

Q12.

These two shapes are similar.



Work out the value of x .

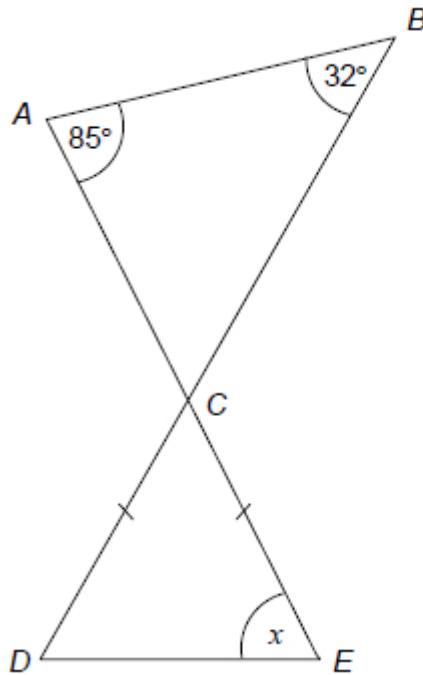
Answer _____

(Total 3 marks)

Q13.

ACE and BCD are straight lines.
 $CD = CE$

Not drawn
accurately



Work out the size of angle x .

Answer _____ degrees
(Total 3 marks)