



Cambridge IGCSE™

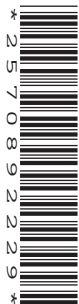
CANDIDATE
NAME

CENTRE
NUMBER

--	--	--	--	--

CANDIDATE
NUMBER

--	--	--	--



MATHEMATICS

0580/42

Paper 4 (Extended)

February/March 2023

2 hours 30 minutes

You must answer on the question paper.

You will need: Geometrical instruments

INSTRUCTIONS

- Answer **all** questions.
- Use a black or dark blue pen. You may use an HB pencil for any diagrams or graphs.
- Write your name, centre number and candidate number in the boxes at the top of the page.
- Write your answer to each question in the space provided.
- Do **not** use an erasable pen or correction fluid.
- Do **not** write on any bar codes.
- You should use a calculator where appropriate.
- You may use tracing paper.
- You must show all necessary working clearly.
- Give non-exact numerical answers correct to 3 significant figures, or 1 decimal place for angles in degrees, unless a different level of accuracy is specified in the question.
- For π , use either your calculator value or 3.142.

INFORMATION

- The total mark for this paper is 130.
- The number of marks for each question or part question is shown in brackets [].

This document has **20** pages. Any blank pages are indicated.

- 1 (a) (i) Alain and Beatrice share \$750 in the ratio Alain : Beatrice = 8 : 7.

Show that Alain receives \$400.

[1]

- (ii) (a) Alain spends \$150.

Write \$150 as a percentage of \$400.

..... % [1]

- (b) He invests the remaining \$250 at a rate of 2% per year simple interest.

Calculate the amount Alain has at the end of 5 years.

\$ [3]

- (iii) Beatrice invests her \$350 at a rate of 0.25% per **month** compound interest.

Calculate the amount Beatrice has at the end of 5 years.

Give your answer correct to the nearest dollar.

\$ [3]

- (b) Carl, Dina and Eva share 100 oranges.

The ratio Carl's oranges : Dina's oranges = 3 : 5.

The ratio Carl's oranges : Eva's oranges = 2 : 3.

Find the number of oranges Carl receives.

..... [2]

3

(c) Fred buys a house.

At the end of the first year, the value of the house increases by 5%.

At the end of the second year, the value of the house increases by 3% of its value at the end of the first year.

The value of Fred's house at the end of the second year is \$60 564.

Calculate how much Fred paid for the house.

\$ [3]

(d) Gabrielle invests \$500 at a rate of $r\%$ per year compound interest.

At the end of 8 years the value of Gabrielle's investment is \$609.20 .

Find the value of r .

$r =$ [3]

- 2 (a) 100 students take part in a reaction test.
The table shows the results.

Reaction time (seconds)	6	7	8	9	10	11
Number of students	3	32	19	29	11	6

- (i) Write down the mode.

..... s [1]

- (ii) Find the median.

..... s [1]

- (iii) Calculate the mean.

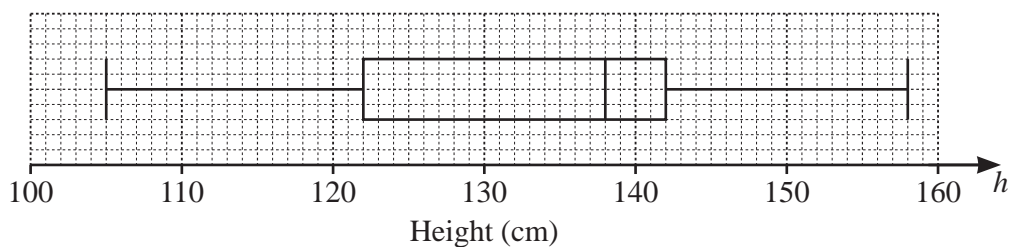
..... s [3]

- (iv) Two students are chosen at random.

Find the probability that both their reaction times are greater than or equal to 9 seconds.

..... [2]

- (b) The box-and-whisker plot shows the heights, h cm, of some students.



- (i) Find the range.

..... cm [1]

- (ii) Find the interquartile range.

..... cm [1]

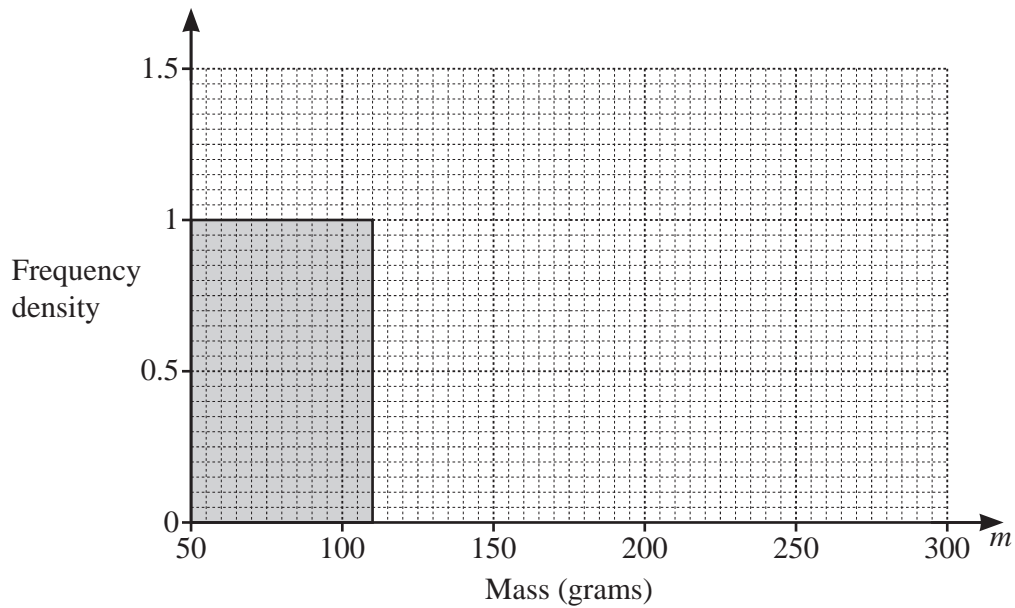
- (c) The mass of each of 200 potatoes is measured.
The table shows the results.

Mass (m grams)	$50 < m \leq 110$	$110 < m \leq 200$	$200 < m \leq 300$
Frequency	60	99	41

- (i) Calculate an estimate of the mean.

..... g [4]

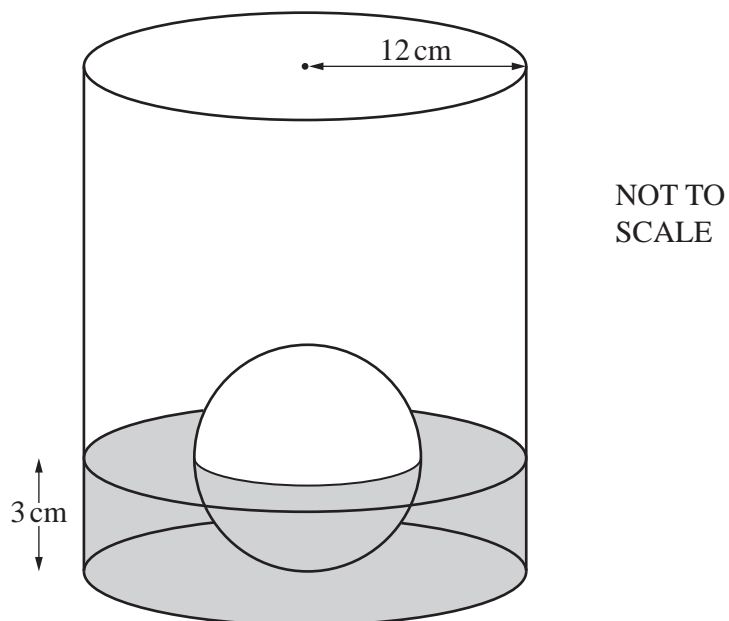
- (ii) Complete the histogram to show the information in the table.



[2]

6

3



The diagram shows a cylinder containing water.
 There is a solid metal sphere touching the base of the cylinder.
 Half of the sphere is in the water.

The radius of the cylinder is 12 cm and the radius of the sphere is 3 cm.

(a) The sphere is removed from the cylinder and the level of the water decreases by h cm.

Show that $h = 0.125$.

[The volume, V , of a sphere with radius r is $V = \frac{4}{3}\pi r^3$.]

[3]

- (b) The water in the cylinder is poured into another cylinder of radius R cm. The depth of the water in this cylinder is 18 cm.

Calculate the value of R .

$$R = \dots\dots\dots [3]$$

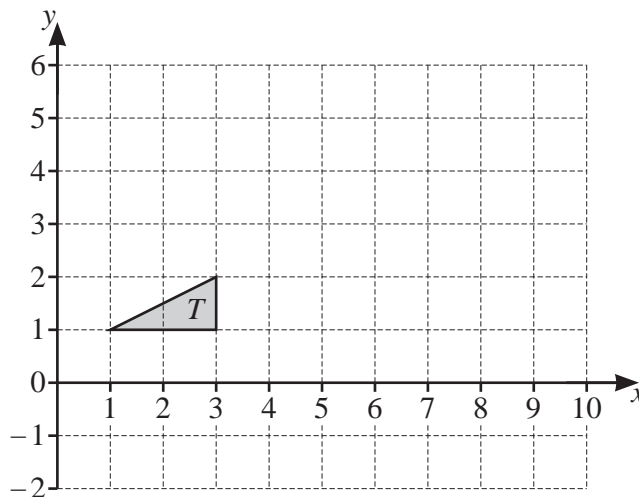
- (c) The sphere is melted down and some of the metal is used to make 30 cubes with edge length 1.5 cm.

Calculate the percentage of metal **not** used.

[The volume, V , of a sphere with radius r is $V = \frac{4}{3}\pi r^3$.]

$$\dots\dots\dots \% [3]$$

4 (a)



(i) Enlarge triangle T by scale factor 3, centre $(0, 2)$. [2]

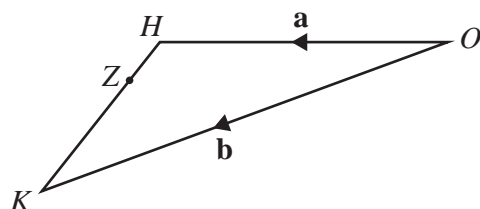
(ii) (a) Rotate triangle T about $(4, 2)$ by 90° clockwise. Label the image P . [2]

(b) Reflect triangle T in the line $x + y = 6$. Label the image Q . [3]

(c) Describe fully the **single** transformation that maps triangle P onto triangle Q .

..... [2]

(b)



NOT TO SCALE

The diagram shows triangle OHK , where O is the origin.
 The position vector of H is \mathbf{a} and the position vector of K is \mathbf{b} .
 Z is the point on HK such that $HZ : ZK = 2 : 5$.

Find the position vector of Z , in terms of \mathbf{a} and \mathbf{b} .
 Give your answer in its simplest form.

..... [3]

- 5 (a) Expand and simplify.
 $(2p^2 - 3)(3p^2 - 2)$

..... [2]

(b) $s = \frac{1}{2}(u + v)t$

- (i) Find the value of s when $u = 20$, $v = 30$ and $t = 7$.

$s =$ [2]

- (ii) Rearrange the formula to write v in terms of s , u and t .

$v =$ [3]

- (c) Factorise completely.

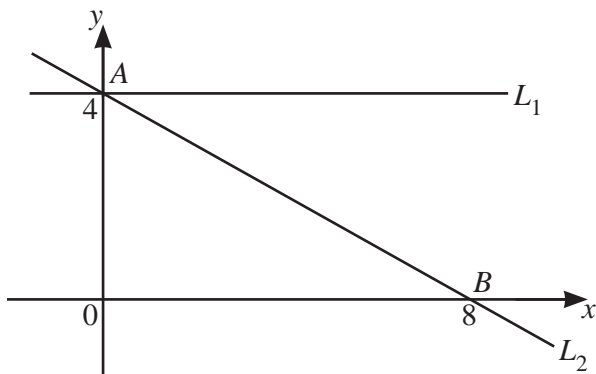
(i) $2qt - 3t - 6 + 4q$

..... [2]

(ii) $x^3 - 25x$

..... [3]

6



NOT TO SCALE

A is the point $(0, 4)$ and B is the point $(8, 0)$.
 The line L_1 is parallel to the x -axis.
 The line L_2 passes through A and B .

(a) Write down the equation of L_1 .

..... [1]

(b) Find the equation of L_2 .
 Give your answer in the form $y = mx + c$.

$y =$ [2]

(c) C is the point $(2, 3)$.
 The line L_3 passes through C and is perpendicular to L_2 .

(i) Show that the equation of L_3 is $y = 2x - 1$.

[3]

11

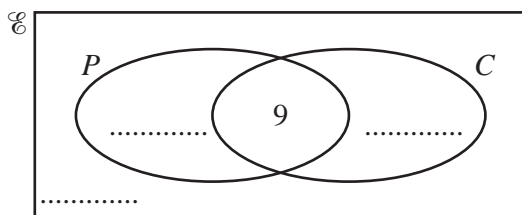
(ii) L_3 crosses the x -axis at D .

Find the length of CD .

..... [5]

7 $\mathcal{E} = \{\text{students in a class}\}$ $P = \{\text{students who study Physics}\}$ $C = \{\text{students who study Chemistry}\}$
 $n(\mathcal{E}) = 24$ $n(P) = 17$ $n(C) = 14$ $n(P \cap C) = 9$

(a) Complete the Venn diagram.



[2]

(b) (i) Find $n(P \cap C')$.

..... [1]

(ii) Find $n(P \cup C')$.

..... [1]

(c) Two students are picked from the class at random.

Find the probability that one student studies both subjects and one student studies Chemistry but not Physics.

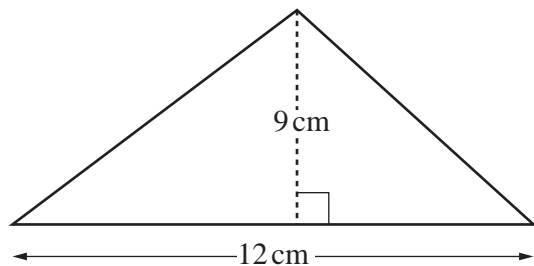
..... [3]

(d) Two of the students who study Physics are picked at random.

Find the probability that they both study Chemistry.

..... [2]

8 (a)

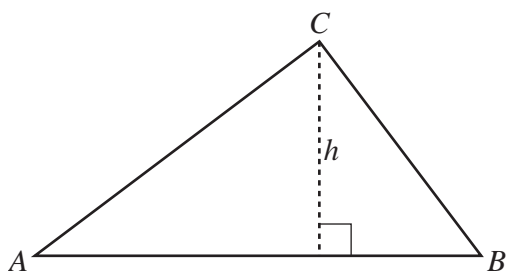


NOT TO SCALE

Calculate the area of the triangle.

..... cm^2 [2]

(b)



NOT TO SCALE

$AB = (2x + 3)\text{cm}$ and $h = (x + 5)\text{cm}$.

The area of triangle $ABC = 50\text{cm}^2$.

Find the value of x , giving your answer correct to 2 decimal places.
You must show all your working.

$x =$ [6]

9 $f(x) = x^3 - 3x^2 - 4$

(a) Find the gradient of the graph of $y = f(x)$ where $x = 1$.

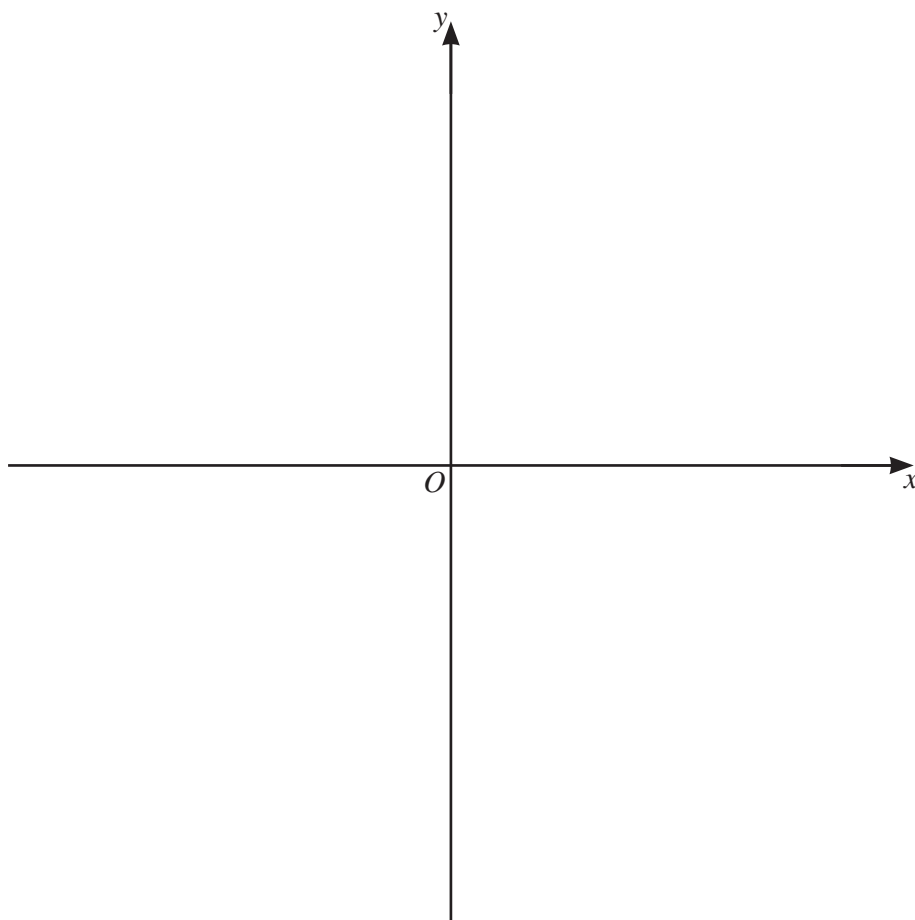
..... [3]

(b) Find the coordinates of the turning points of the graph of $y = f(x)$.

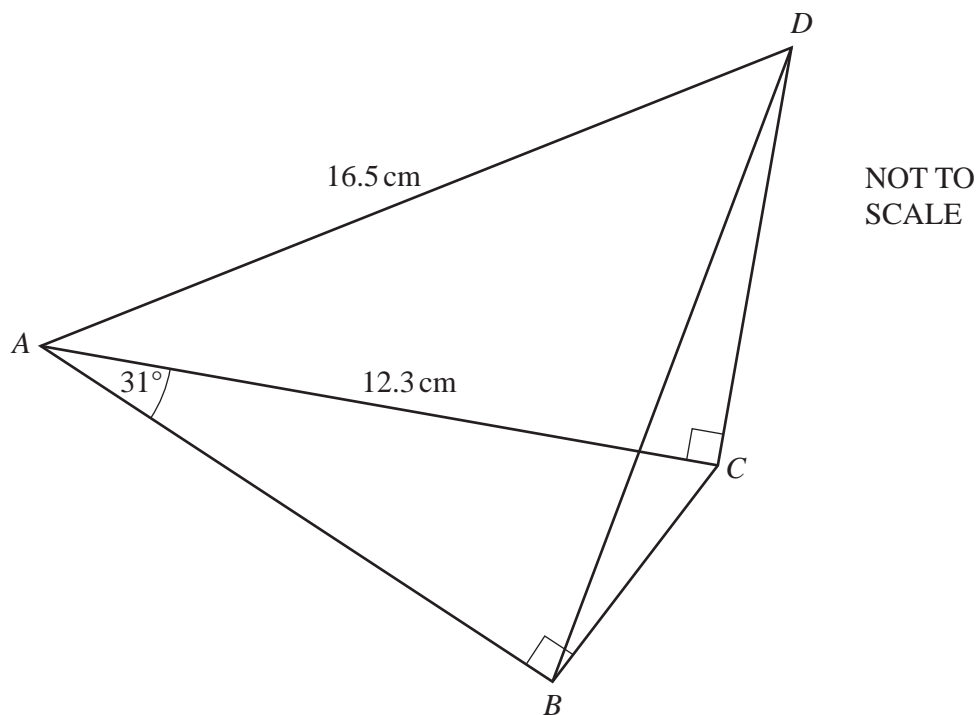
(..... ,) , (..... ,) [4]

15

(c) Sketch the graph of $y = f(x)$.



[2]



NOT TO
SCALE

The diagram shows a quadrilateral $ABCD$.

$AC = 12.3\text{ cm}$ and $AD = 16.5\text{ cm}$.

Angle $BAC = 31^\circ$, angle $ABC = 90^\circ$ and angle $ACD = 90^\circ$.

(a) Show that $AB = 10.54\text{ cm}$, correct to 2 decimal places.

[2]

(b) Show that angle $DAC = 41.80^\circ$ correct to 2 decimal places.

[2]

(c) Calculate BD .

$BD = \dots\dots\dots\text{cm}$ [3]

(d) Calculate angle CBD .

Angle $CBD = \dots\dots\dots$ [4]

(e) Calculate the shortest distance from C to BD .

$\dots\dots\dots\text{cm}$ [4]

11 $f(x) = 2x - 1$ $g(x) = 3x + 2$ $h(x) = \frac{1}{x}, x \neq 0$ $j(x) = x^2$

(a) Find $j(-1)$.

..... [1]

(b) Find x when $f(x) + g(x) = 0$.

$x =$ [2]

(c) Find $gg(x)$, giving your answer in its simplest form.

..... [2]

(d) Find $hf(x) + gh(x)$, giving your answer as a single fraction in its simplest form.

..... [4]

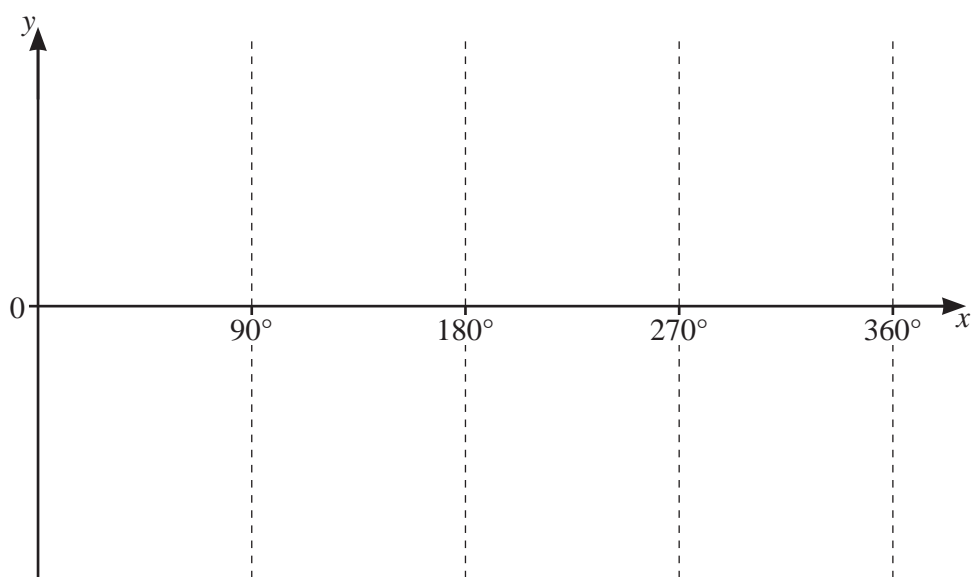
(e) When $pp(x) = x$, $p(x)$ is a function such that $p^{-1}(x) = p(x)$.

Draw a ring around the function that has this property.

$f(x) = 2x - 1$ $g(x) = 3x + 2$ $h(x) = \frac{1}{x}, x \neq 0$ $j(x) = x^2$

[1]

12 (a) Sketch the graph of $y = \tan x$ for $0^\circ \leq x \leq 360^\circ$.



[2]

(b) Find x when $\tan x = \frac{1}{\sqrt{3}}$ and $0^\circ \leq x \leq 360^\circ$.

..... [2]

BLANK PAGE

Permission to reproduce items where third-party owned material protected by copyright is included has been sought and cleared where possible. Every reasonable effort has been made by the publisher (UCLES) to trace copyright holders, but if any items requiring clearance have unwittingly been included, the publisher will be pleased to make amends at the earliest possible opportunity.

To avoid the issue of disclosure of answer-related information to candidates, all copyright acknowledgements are reproduced online in the Cambridge Assessment International Education Copyright Acknowledgements Booklet. This is produced for each series of examinations and is freely available to download at www.cambridgeinternational.org after the live examination series.

Cambridge Assessment International Education is part of Cambridge Assessment. Cambridge Assessment is the brand name of the University of Cambridge Local Examinations Syndicate (UCLES), which is a department of the University of Cambridge.