



Oxford Cambridge and RSA

**Thursday 13 June 2019 – Afternoon**

**A Level Further Mathematics B (MEI)**

**Y431/01 Mechanics Minor**

**Printed Answer Booklet**

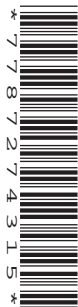
**Time allowed: 1 hour 15 minutes**

**You must have:**

- Question Paper Y431/01 (inserted)
- Formulae Further Mathematics B (MEI)

**You may use:**

- a scientific or graphical calculator



Please write clearly in black ink. **Do not write in the barcodes.**

Centre number

--	--	--	--	--

Candidate number

--	--	--	--

First name(s)

---

Last name

---

**INSTRUCTIONS**

- The Question Paper will be found inside the Printed Answer Booklet.
- Use black ink. HB pencil may be used for graphs and diagrams only.
- Answer **all** the questions.
- **Write your answer to each question in the space provided in the Printed Answer Booklet.** Additional paper may be used if necessary but you must clearly show your candidate number, centre number and question number(s).
- You are permitted to use a scientific or graphical calculator in this paper.
- Final answers should be given to a degree of accuracy appropriate to the context.
- The acceleration due to gravity is denoted by  $g \text{ m s}^{-2}$ . Unless otherwise instructed, when a numerical value is needed, use  $g = 9.8$ .

**INFORMATION**

- You are advised that an answer may receive **no marks** unless you show sufficient detail of the working to indicate that a correct method is used. You should communicate your method with correct reasoning.
- The Printed Answer Booklet consists of **12** pages. The Question Paper consists of **8** pages.

<b>1(a)</b>	
<b>1(b)</b>	
<b>1(c)</b>	
<b>2(a)</b>	
<b>2(b)</b>	

**2(c)**


**2(d)**


**3****(answer space continued on next page)**



4(a)


4(b)


<b>4(c)</b>	

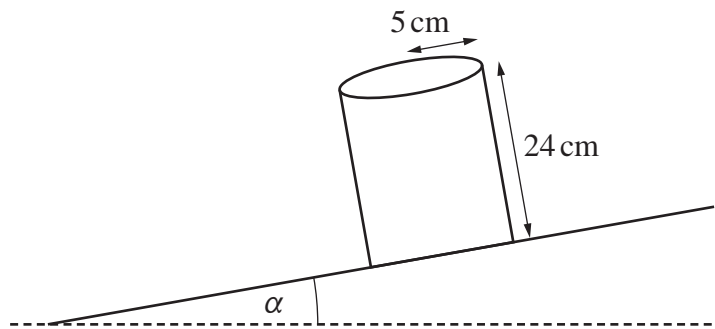
<b>4(d)</b>	

<b>5(a)</b>	
<b>5(b)</b>	
<b>5(c)</b>	



<b>5(d)</b>	
<b>5(e)</b>	
<b>5(f)</b>	

6(a)



6(b)

<b>6(c)</b>	

<b>6(d)</b>	