

Write your name here

Surname

Other names

**Pearson Edexcel**  
**International**  
**Advanced Level**

Centre Number

--	--	--	--	--

Candidate Number

--	--	--	--	--

# Decision Mathematics D1

## Advanced/Advanced Subsidiary

**Sample Assessment Material**  
**Time: 1 hour 30 minutes**

Paper Reference

**WDM01/01**

**Answer Book**

Do not return the question paper with the answer book.

Total Marks

S45010A

©2013 Pearson Education Ltd.



S 4 5 0 1 0 A 0 1 2 0

Turn over ►

**PEARSON**

















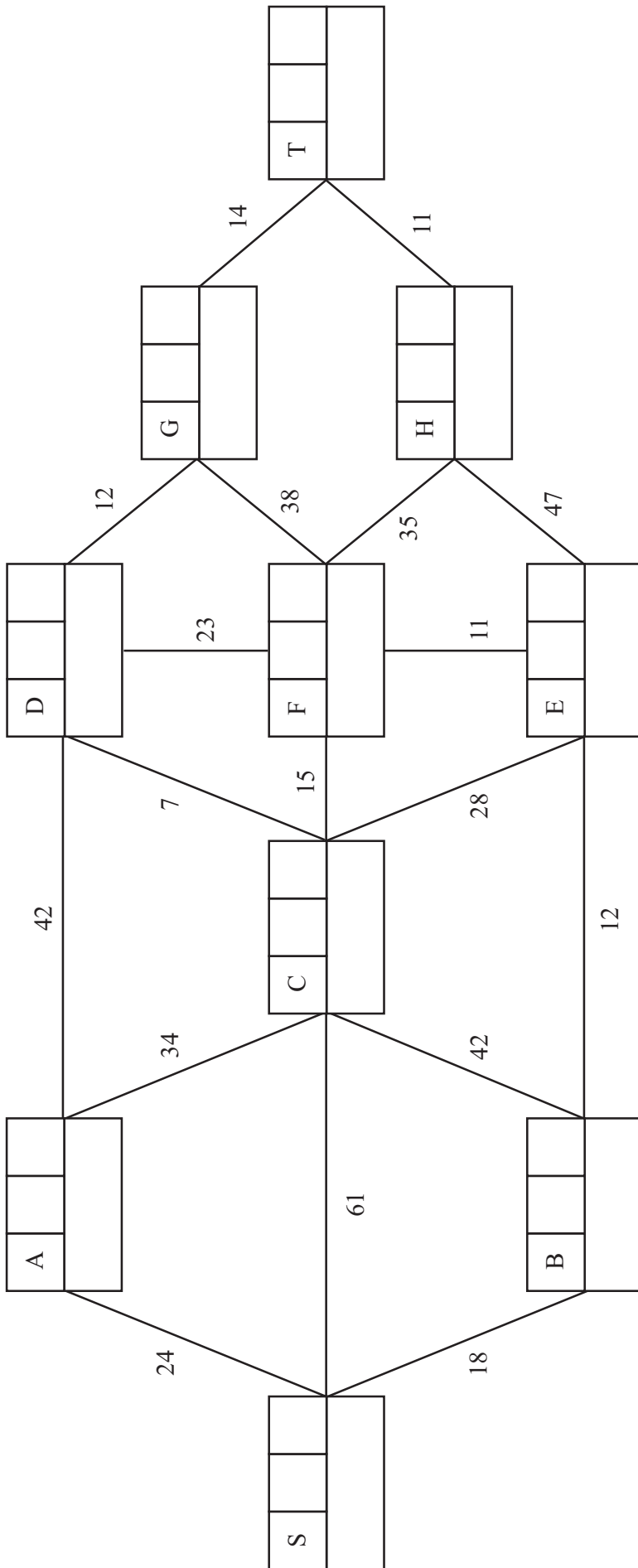






6.

(a)



Route S to T: \_\_\_\_\_

Time taken for route: \_\_\_\_\_

Leave blank



7.

---

---

---

---

---

---

---

---

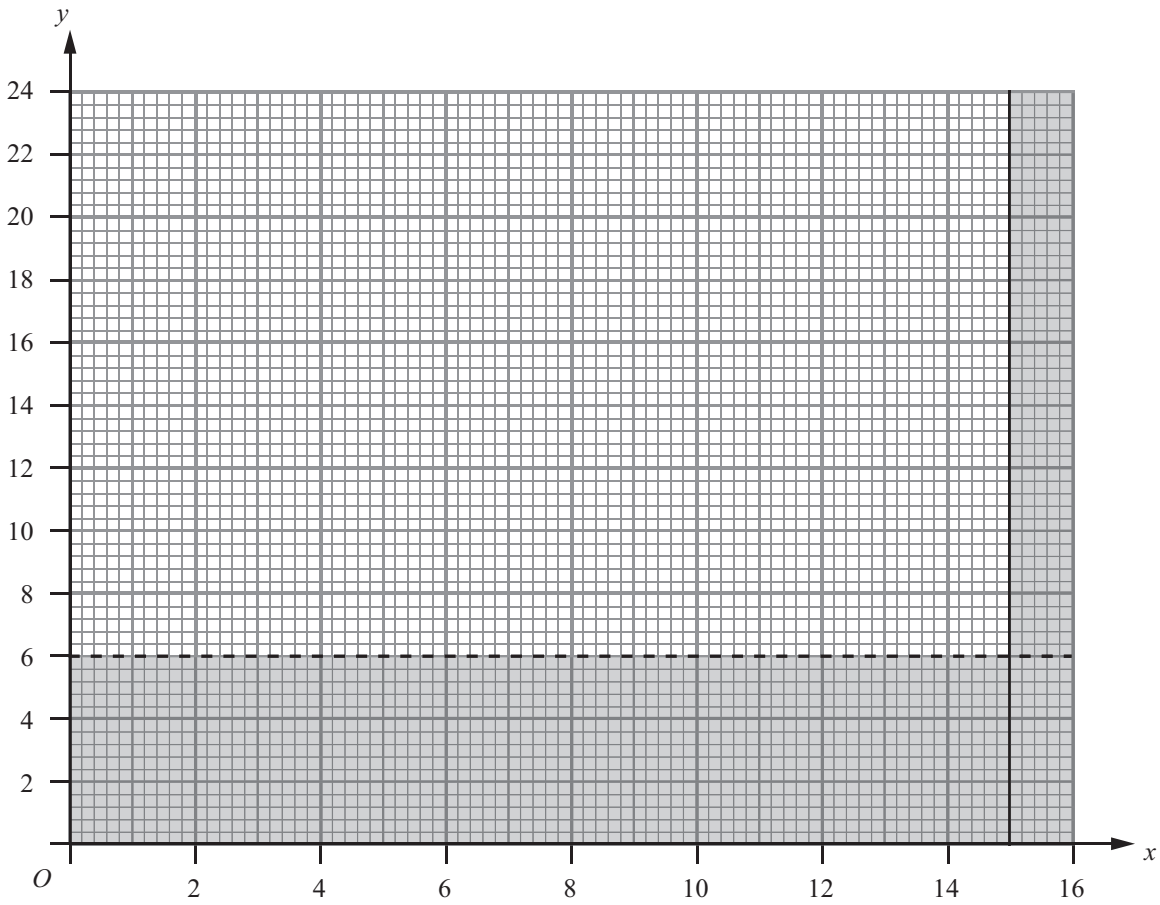


Diagram 1

---

---

---

---

---

---

---

---



8. (a)

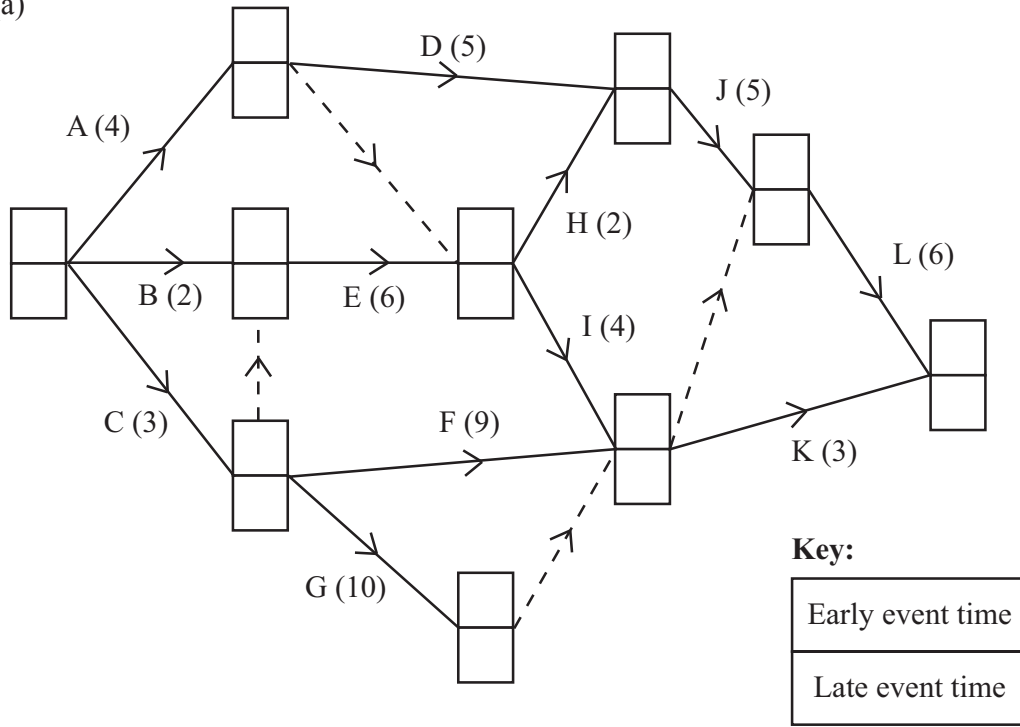
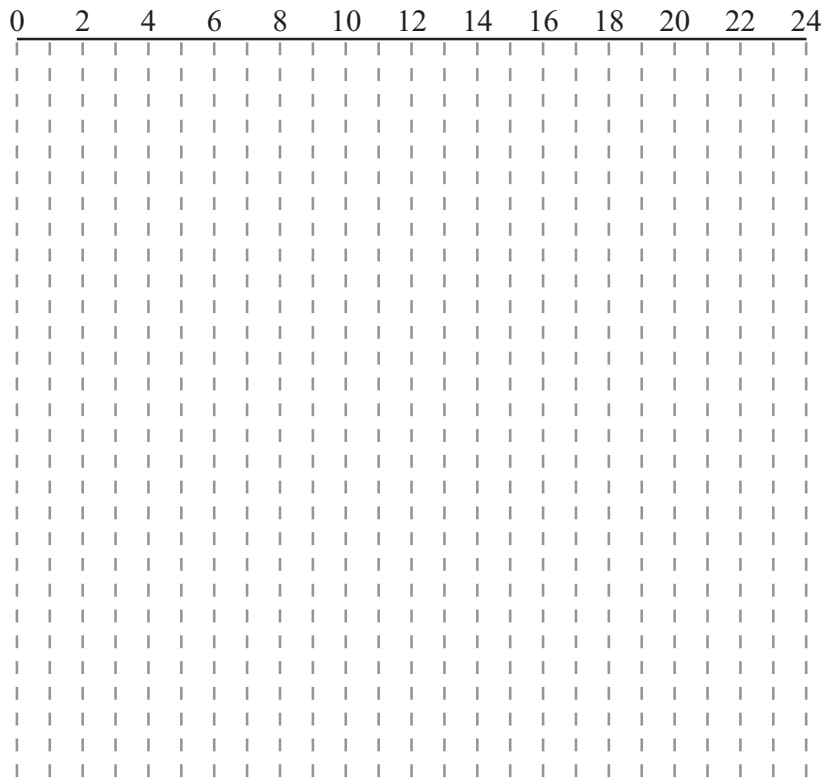


Diagram 2

(b) Critical activities: \_\_\_\_\_



(c)



**Grid 1**

(d)

---

---

---

---

---

Q8

**(Total 11 marks)**

**TOTAL FOR PAPER: 75 MARKS**

**END**