

Cambridge  
International  
AS & A Level

**Cambridge International Examinations**  
Cambridge International Advanced Subsidiary and Advanced Level

**MATHEMATICS**

**9709/41**

Paper 4 Mechanics 1 (M1)

**May/June 2014**

**1 hour 15 minutes**

Additional Materials:      Answer Booklet/Paper  
   Graph Paper  
   List of Formulae (MF9)

\* 2 5 0 6 4 9 7 6 3 3 \*

**READ THESE INSTRUCTIONS FIRST**

If you have been given an Answer Booklet, follow the instructions on the front cover of the Booklet.

Write your Centre number, candidate number and name on all the work you hand in.

Write in dark blue or black pen.

You may use an HB pencil for any diagrams or graphs.

Do not use staples, paper clips, glue or correction fluid.

DO **NOT** WRITE IN ANY BARCODES.

Answer **all** the questions.

Give non-exact numerical answers correct to 3 significant figures, or 1 decimal place in the case of angles in degrees, unless a different level of accuracy is specified in the question.

Where a numerical value for the acceleration due to gravity is needed, use  $10 \text{ m s}^{-2}$ .

The use of an electronic calculator is expected, where appropriate.

You are reminded of the need for clear presentation in your answers.

At the end of the examination, fasten all your work securely together.

The number of marks is given in brackets [ ] at the end of each question or part question.

The total number of marks for this paper is 50.

Questions carrying smaller numbers of marks are printed earlier in the paper, and questions carrying larger numbers of marks later in the paper.

This document consists of 4 printed pages.

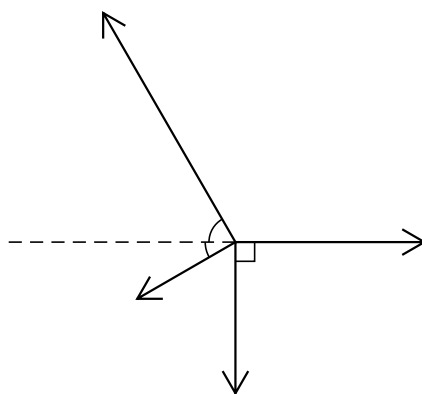
1 *A ta v at tat* *a a hta taht tak v that th*  
*th ta k a th tta ta* *t th ta t k th va*

2 *A h a at a a* *t th hta A a* *t a k*  
*th a Th a* *at at th a* *t ha at*

(i) *th va*

(ii) *th at va th* *t t*

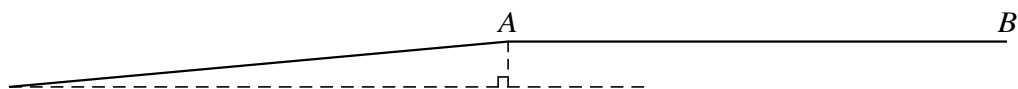
3



*aa at at a* *t Th at th a* *a a th*  
*t hh th at a h th aa th at a t th*  
*tat th*

4 *A at t vta a th* *a t av hta*  
*Th at v avt* *t t ht th t* *h at t*  
*th tat t t th at h* *t th th tta* *ta tav a*  
*th tta t tak*

5

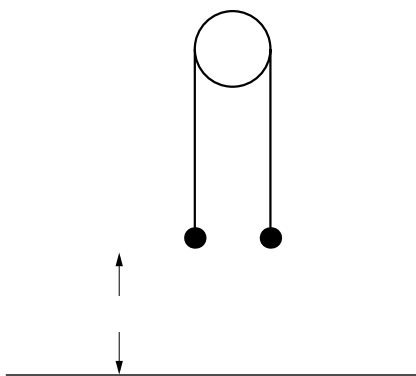


*A a a k tat t at* *a tav a a a* *Th t* *taht*  
*th a t th hta th* *at a hht av th v* *Th*  
*t taht a hta aa h* *th a v th v th*  
*a a th ta t th at Th th a* *hh*  
*a ha tav a ta*

(i) *th a t* *t t t a kt t* *th va* *hh* *a*  
*t a tta t*

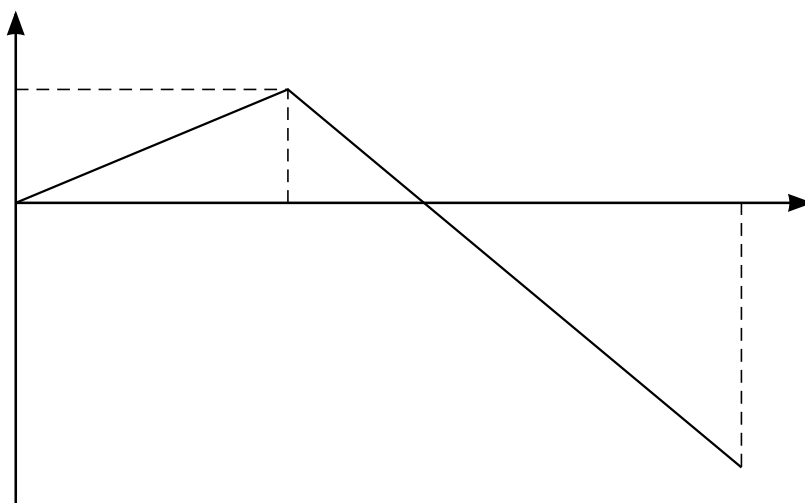
(ii) *h that*

6



Pat a ka a ka attah t t a ht xt  
 t hh a v a x th Th t h at t th th t tat a t  
 taht at vta Bt h at a at a hht av th Th t  
 a t a at h th at a t th t ak Th at  
 t ah th th t t

(i) th aat a th ta tav th t ak



Th vtt ah h th t at t t ht th Th  
 vt h th t ak a th t tak t ah t att  
 hht

(ii) th va a th va

(iii) th ta tav a a th ta tav a a h

[ uestion 7 is printed on the next page.]

7 *T t a tav a a taht a tat ta at a av*  
*ta at Bth t a thh at av Ct tat th*  
*a a th th tat aat t h ah*

(i) *h that th ta a at*

*Ct tav t th at t at av h*

*a a tat*

(ii) *th va a th ax h ha ah*

*Ct tav t a ta at th h ha ah at Ct*  
*tav t th tat aat*

(iii) *th t tak th t t tav t a th va*

---

Permission to reproduce items where third-party owned material protected by copyright is included has been sought and cleared where possible. Every reasonable effort has been made by the publisher (UCLES) to trace copyright holders, but if any items requiring clearance have unwittingly been included, the publisher will be pleased to make amends at the earliest possible opportunity.

Cambridge International Examinations is part of the Cambridge Assessment Group. Cambridge Assessment is the brand name of University of Cambridge Local Examinations Syndicate (UCLES), which is itself a department of the University of Cambridge.