

3. (a)

	A	B	C	D	E	F
A	-	15	6	9	-	-
B	15	-	12	-	14	-
C	6	12	-	7	10	-
D	9	-	7	-	11	17
E	-	14	10	11	-	5
F	-	-	-	17	5	-

Order of arcs: _____

(b)

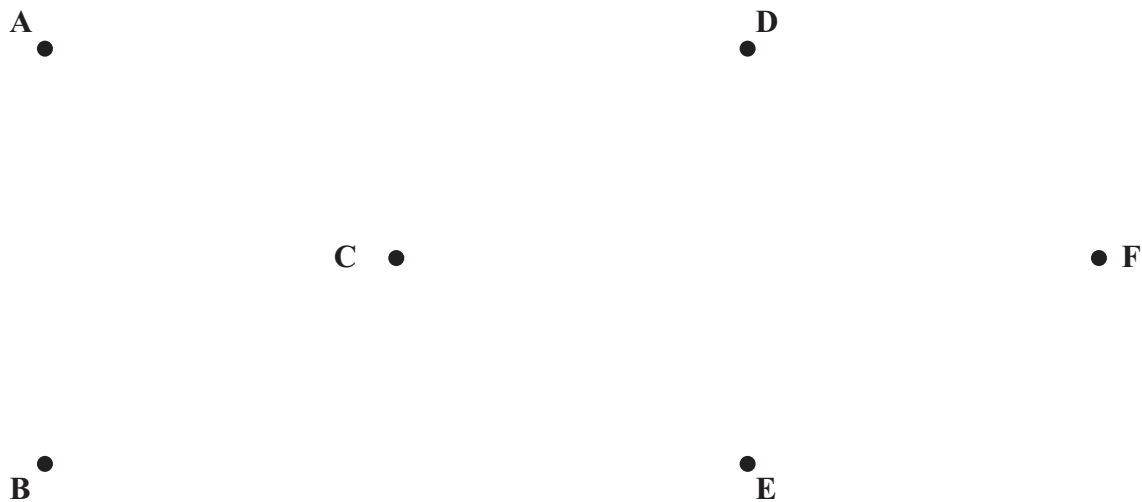


Diagram 1



Question 3 continued

(c)

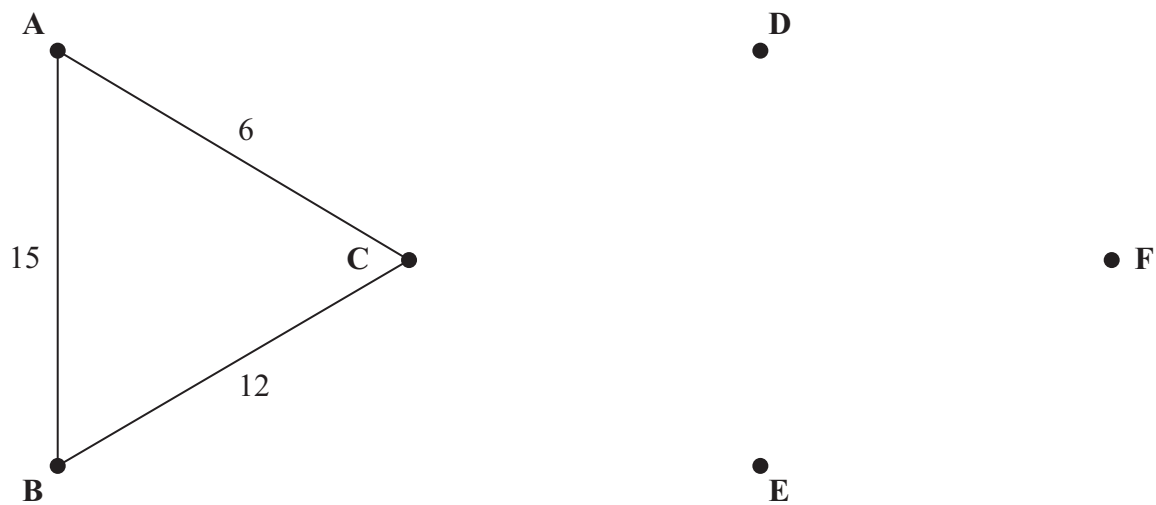


Diagram 2

(d)

(e) Minimum time needed: _____

(Total 10 marks)

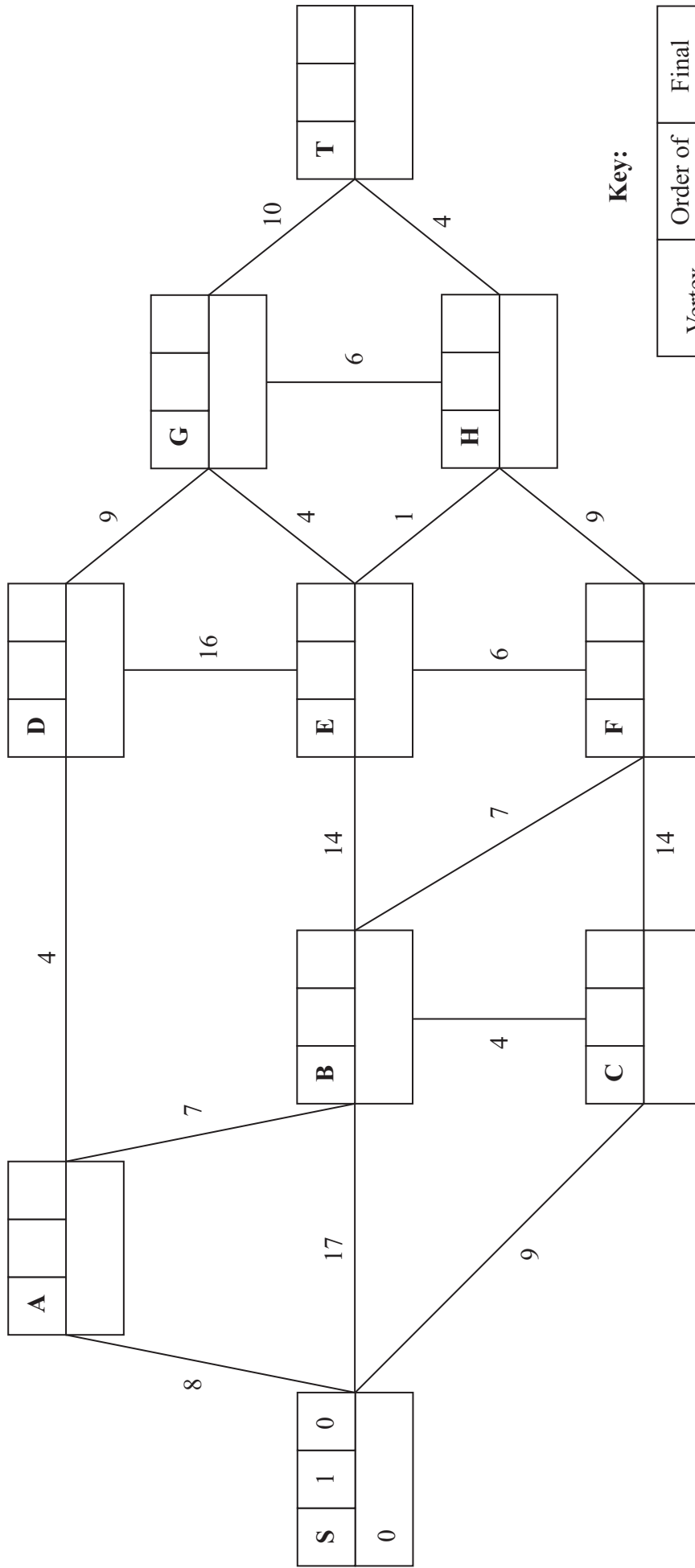
Q3

--	--





4. (a)



Key:

Vertex	Order of labelling	Final value
Working values (in order)		

Leave blank

Question 4 continued

Shortest path from S to T: _____

Length of shortest path from S to T: _____

(b)

Shortest path from S to T via F: _____

Length of shortest path from S to T via F: _____

(Total 8 marks)

Q4



Question 6 continued

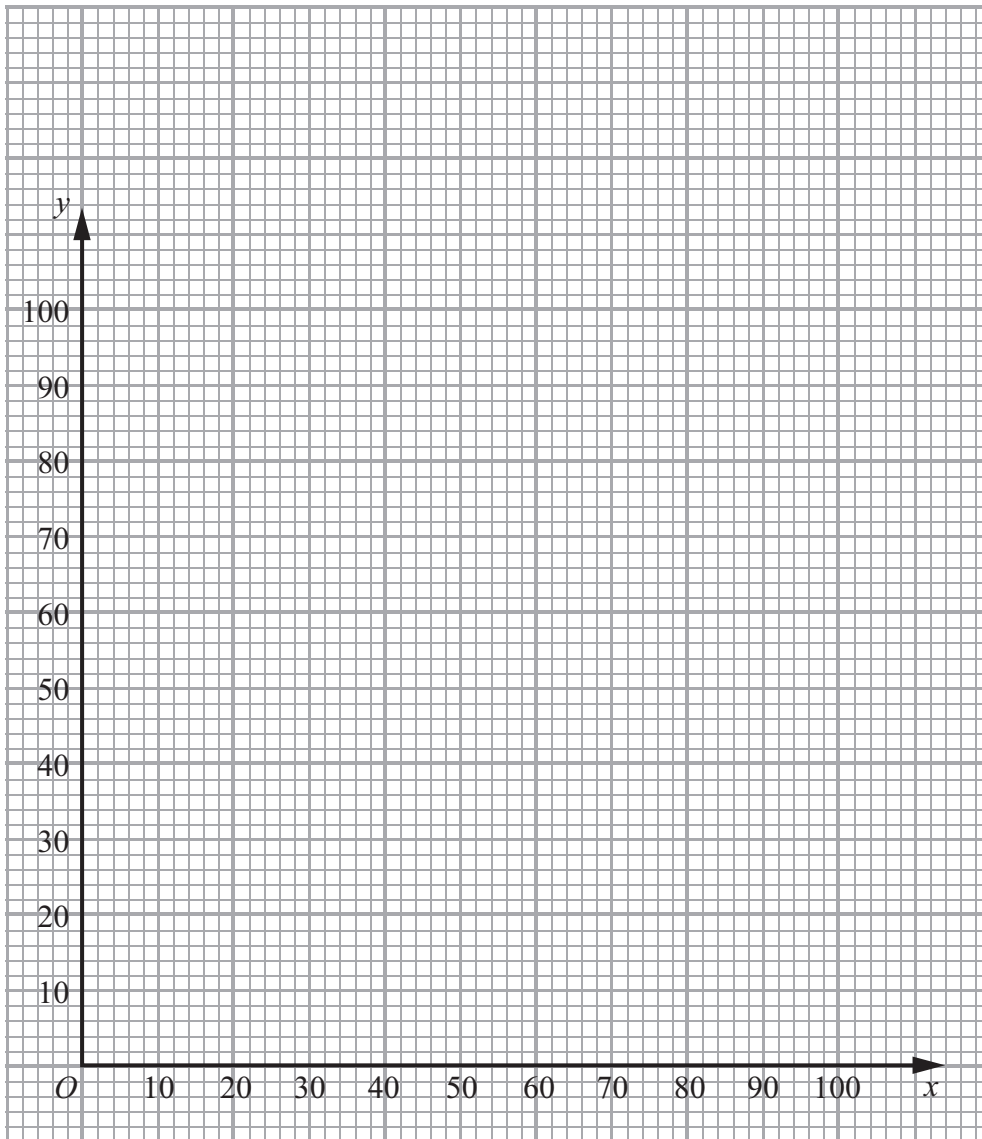


Diagram 1

(Total 12 marks)

Q6

--	--



7. (a)

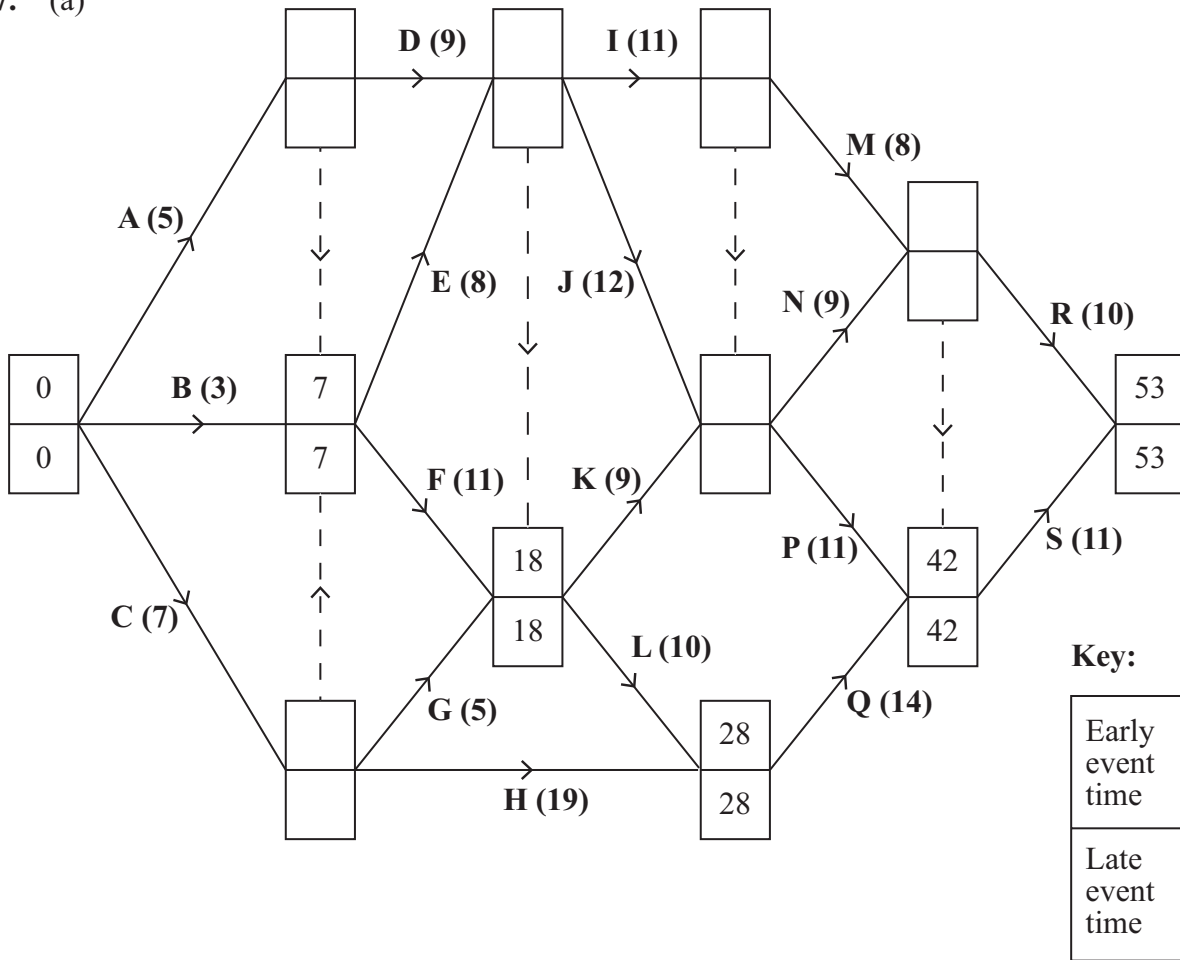


Diagram 1

- (b) _____
- _____
- _____
- (c) _____
- _____
- _____
- _____
- (d) _____
- _____
- _____
- _____
- _____
- _____



Question 7 continued

(e)

■ represents the total float on each activity

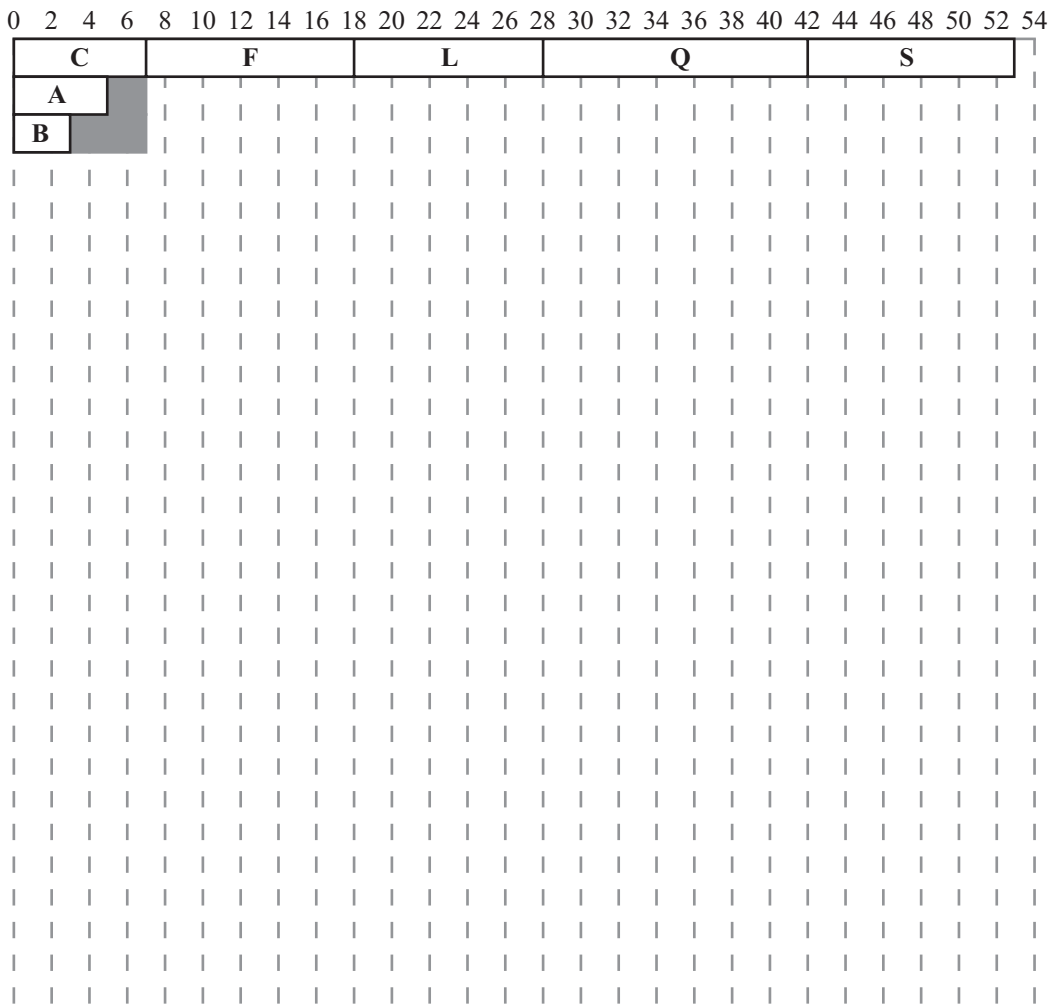


Diagram 2

(f)

(g)

(Total 17 marks)

Q7

--	--

TOTAL FOR PAPER: 75 MARKS

END

