





















5.

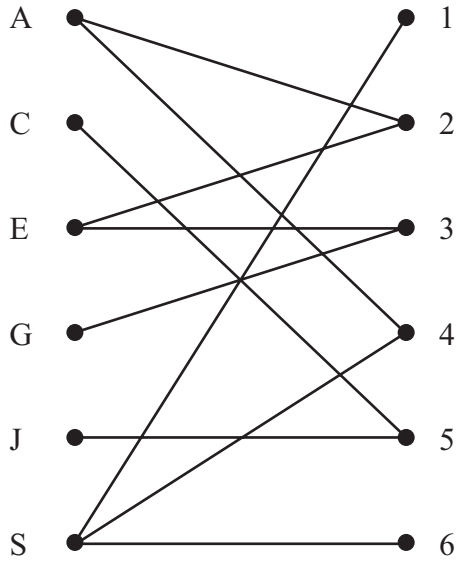


Figure 3

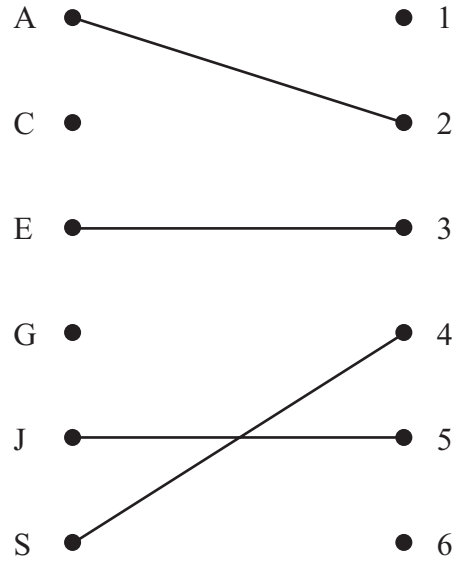


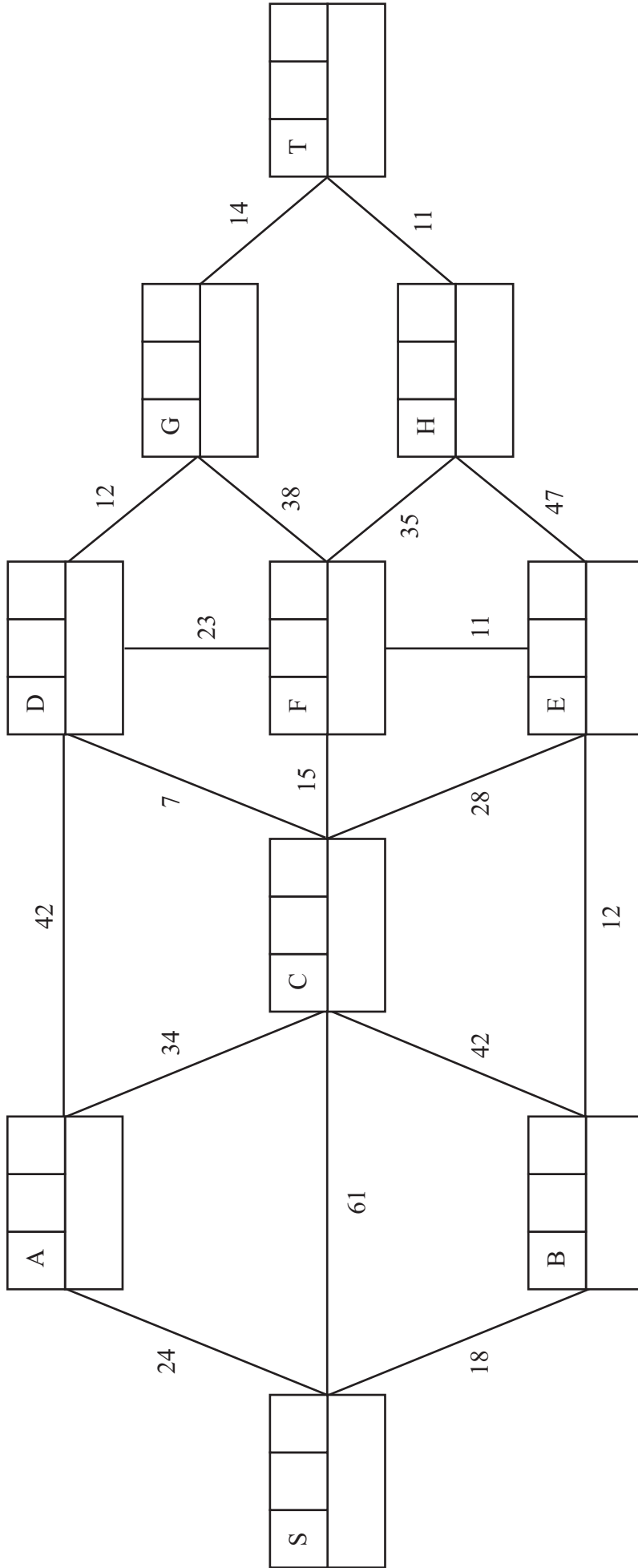
Figure 4

Below the captions are several horizontal lines intended for handwritten answers.



6.

(a)



Route S to T: \_\_\_\_\_

Time taken for route: \_\_\_\_\_



**Question 6 continued**

(b)

Area with 18 vertical lines for writing answers.

(c) Route E to T:

Q6

(Total 9 marks)



7.

---

---

---

---

---

---

---

---

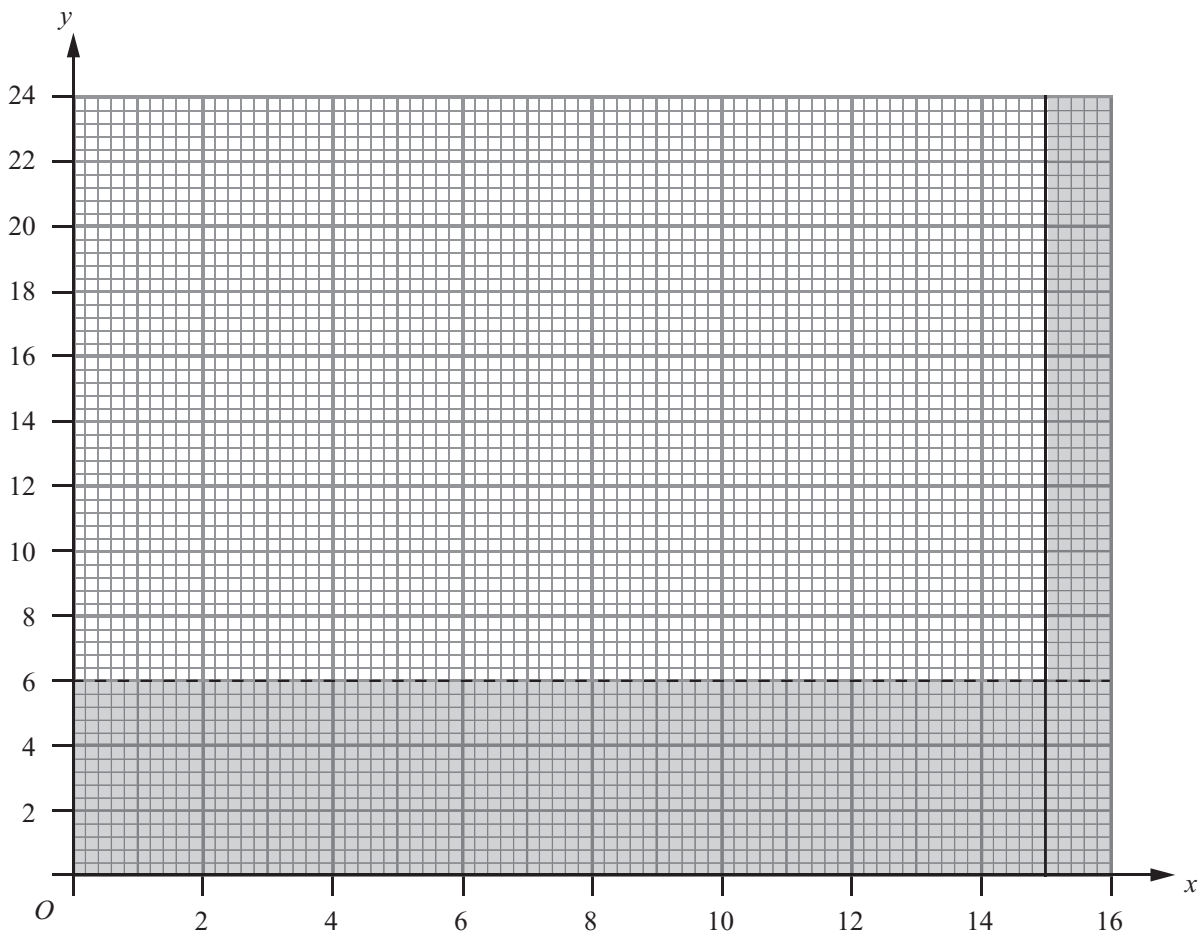


Diagram 1

---

---

---

---

---

---

---

---





8. (a)

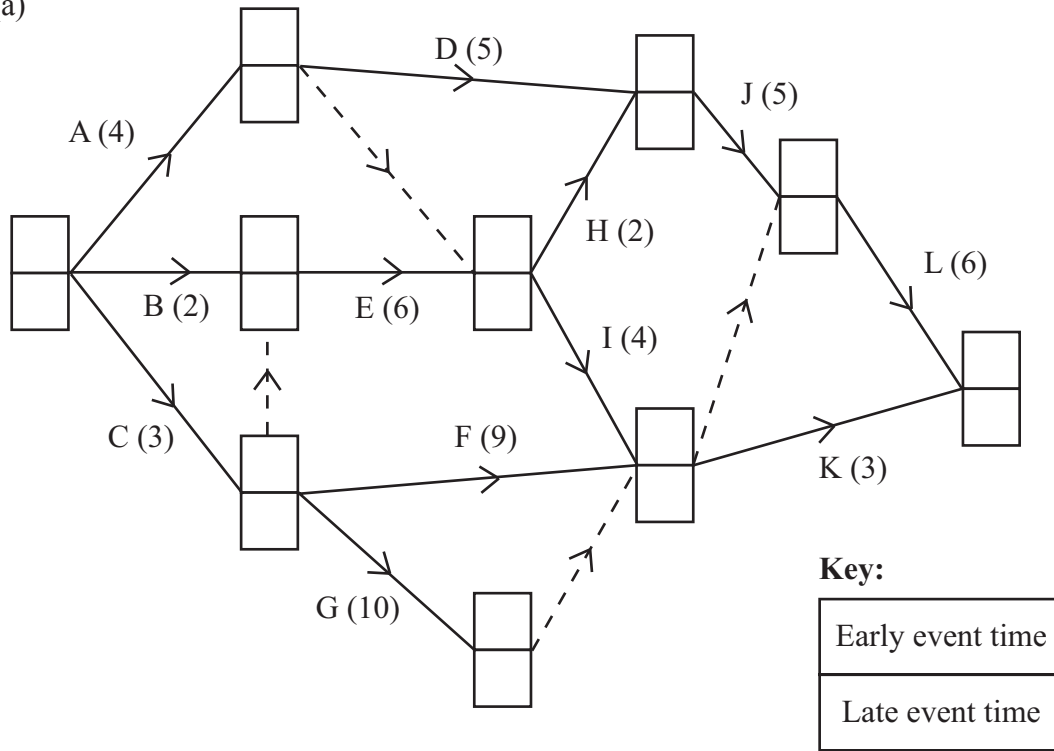


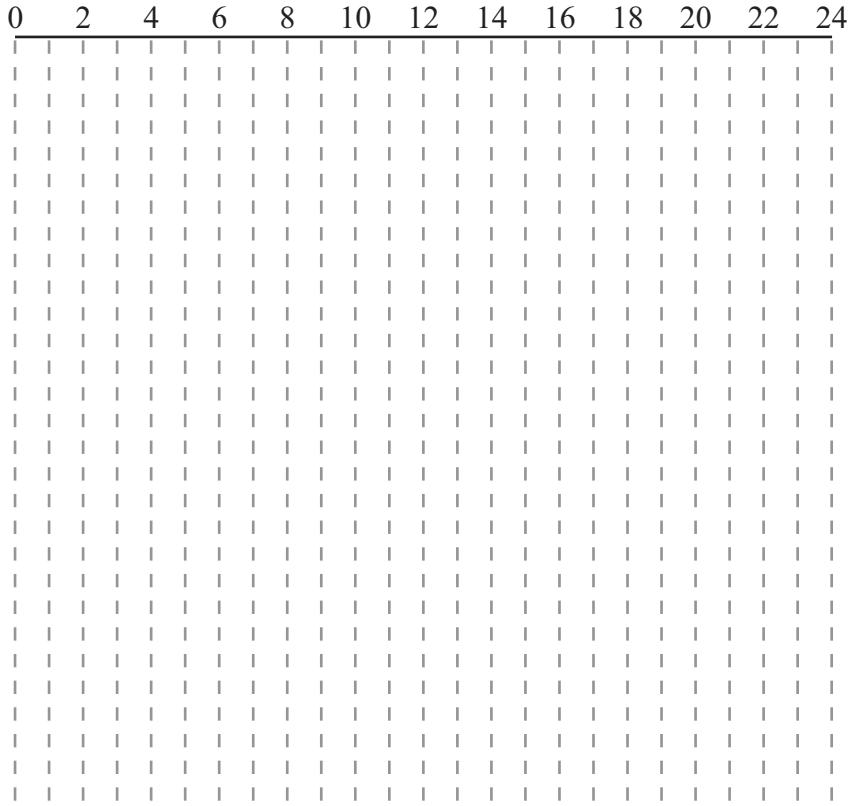
Diagram 2

(b) Critical activities: \_\_\_\_\_





(c)



**Grid 1**

(d)

---

---

---

---

---

**Q8**

**(Total 11 marks)**

**TOTAL FOR PAPER: 75 MARKS**

**END**

