

Paper Reference(s)

6689

Edexcel GCE

Decision Mathematics D1

Advanced/Advanced Subsidiary

Wednesday 16 June 2004 - Afternoon

Answer Booklet

- 1. *A* • •
- G* • •
- L* • •
- N* • •
- P* • •
- S* • •

.....

.....

.....

.....

.....

.....

.....

.....

.....

.....

.....

.....

.....

.....

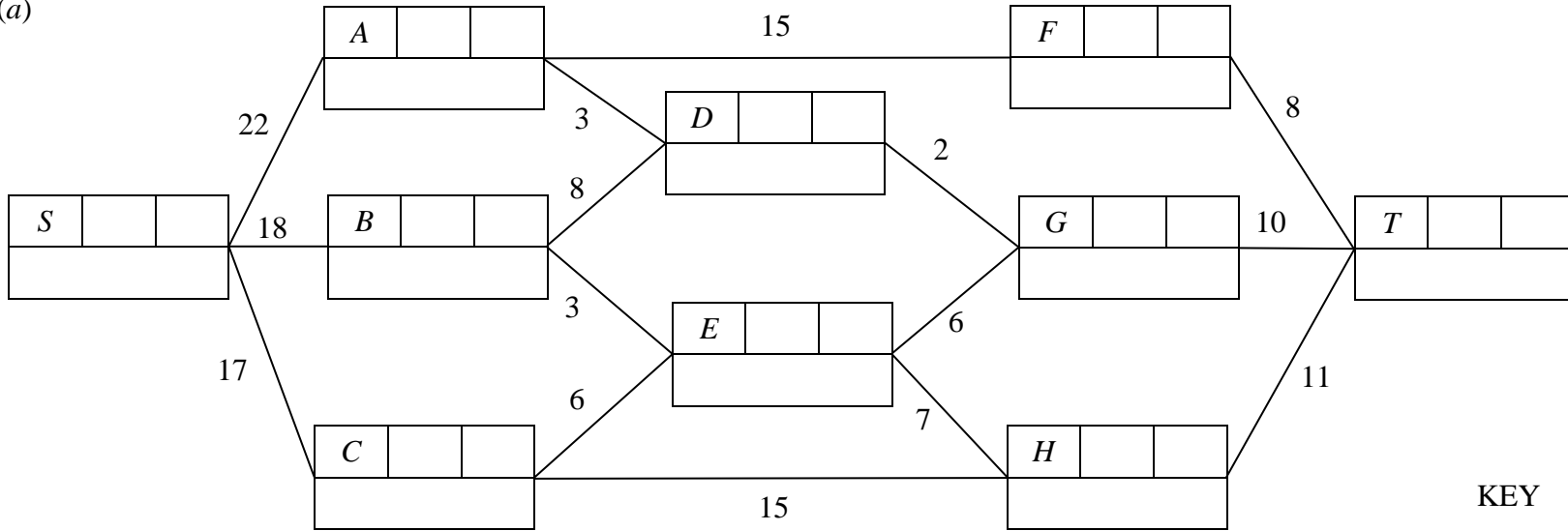
.....

.....

.....

.....

2. (a)



KEY

Vertex	Order of labelling	Final value
Working values		

Time:

(b) Route:

.....

(c)

.....

Route:

Time:

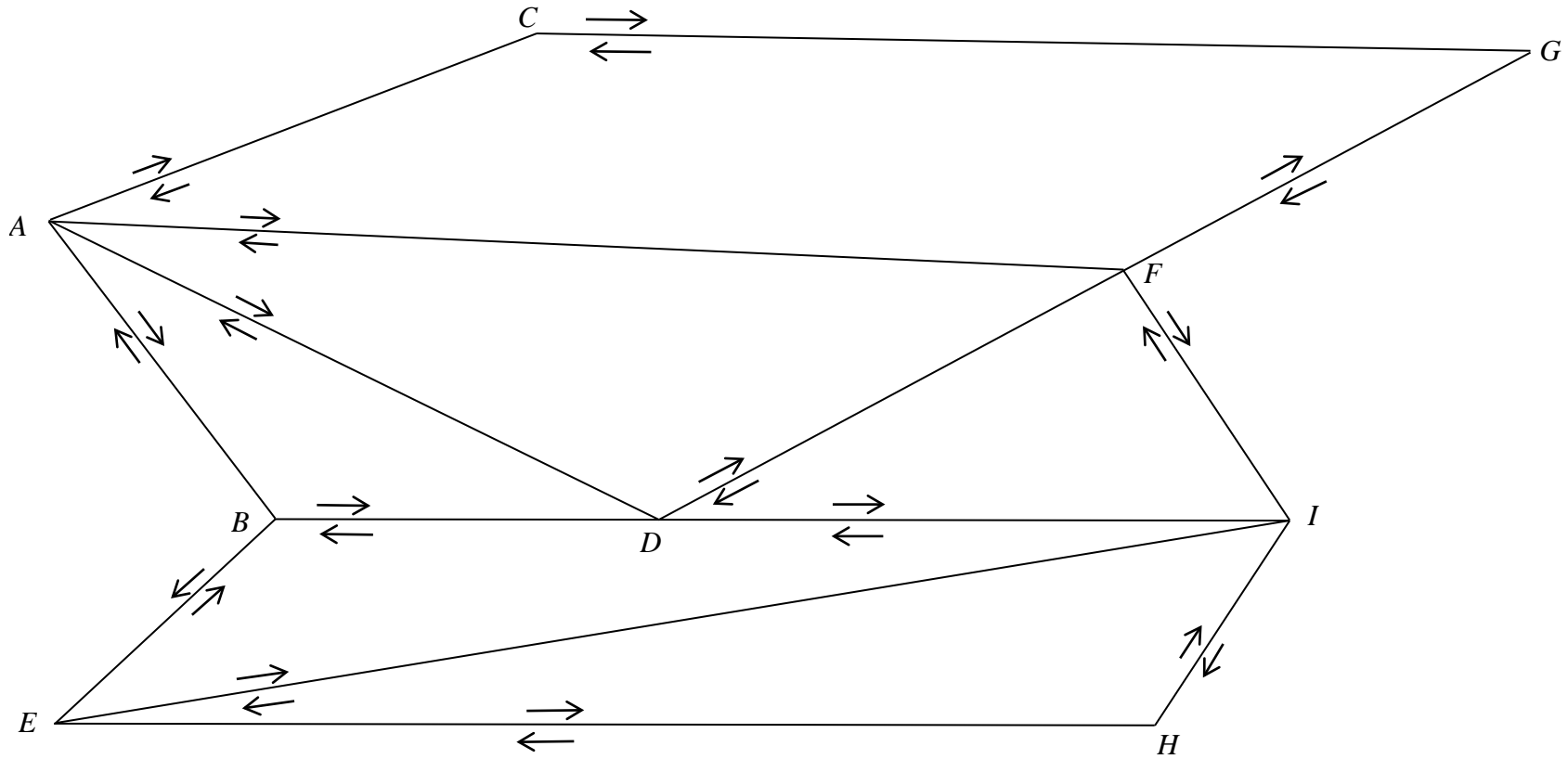
4.
.....
.....
.....
.....
.....
.....
.....
.....
.....
.....
.....
.....
.....
.....
.....
.....
.....
.....
.....
.....
.....
.....
.....
.....
.....
.....
.....
.....
.....
.....
.....
.....
.....
.....
.....
.....
.....
.....
.....
.....
.....

5. (a) $x = \dots\dots\dots$ $y = \dots\dots\dots$ Initial flow = $\dots\dots\dots$

(b) $\dots\dots\dots$

$\dots\dots\dots$

(c) Diagram 1



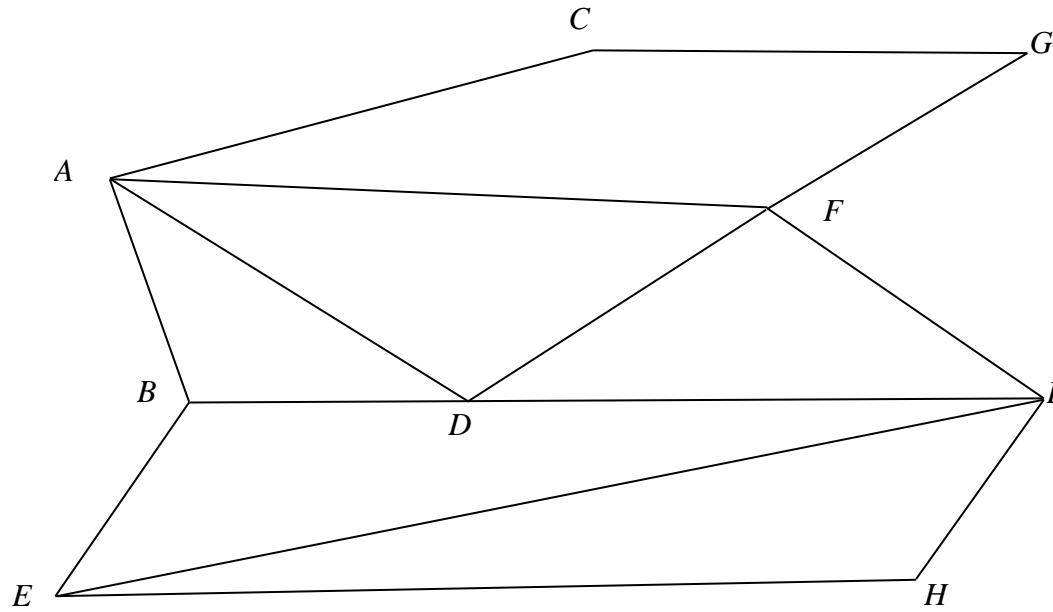
Flow-augmenting routes:.....

.....

.....

(d)

Diagram 2

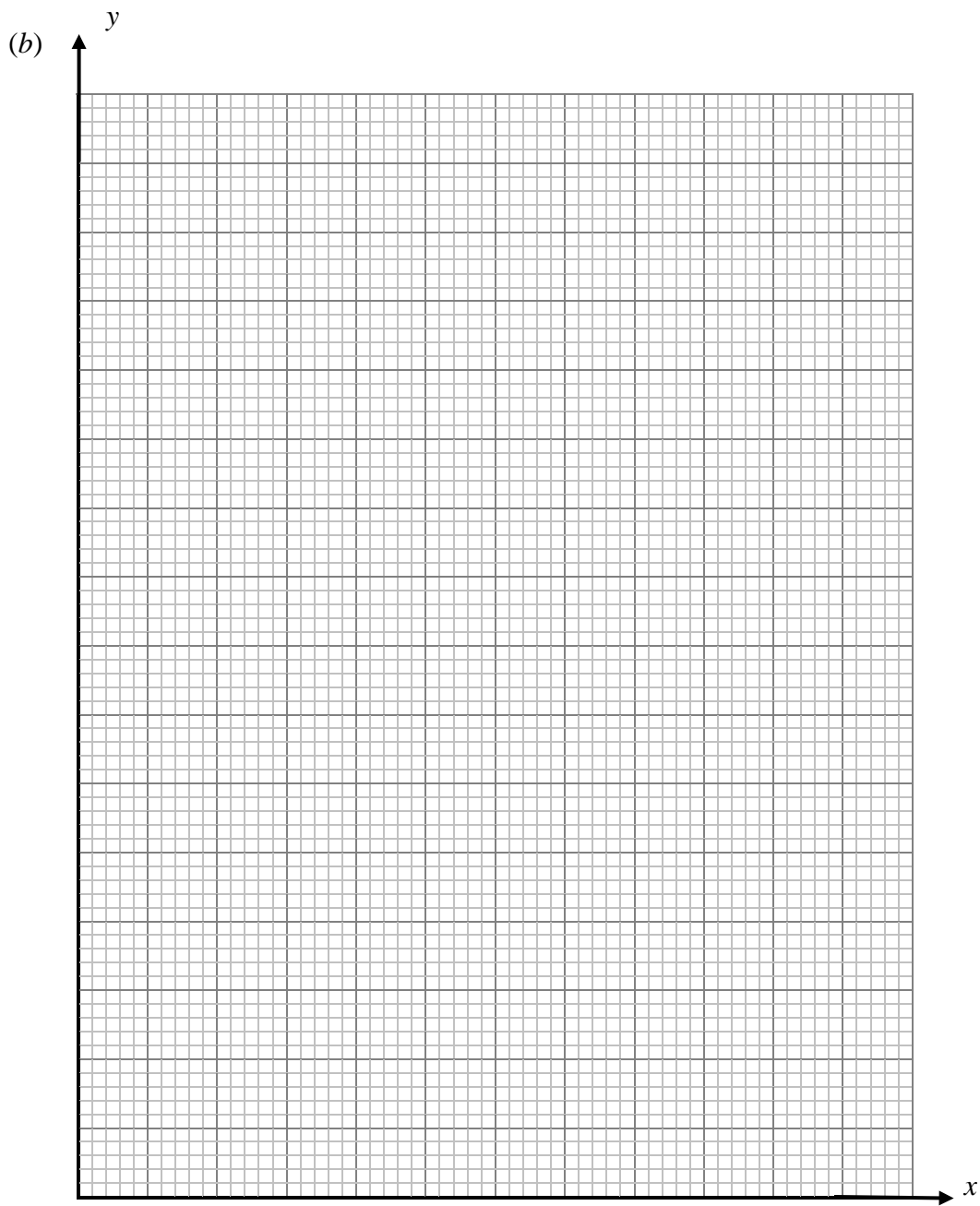


Maximum flow:.....

(e)

.....

.....



(c)

.....

.....

.....

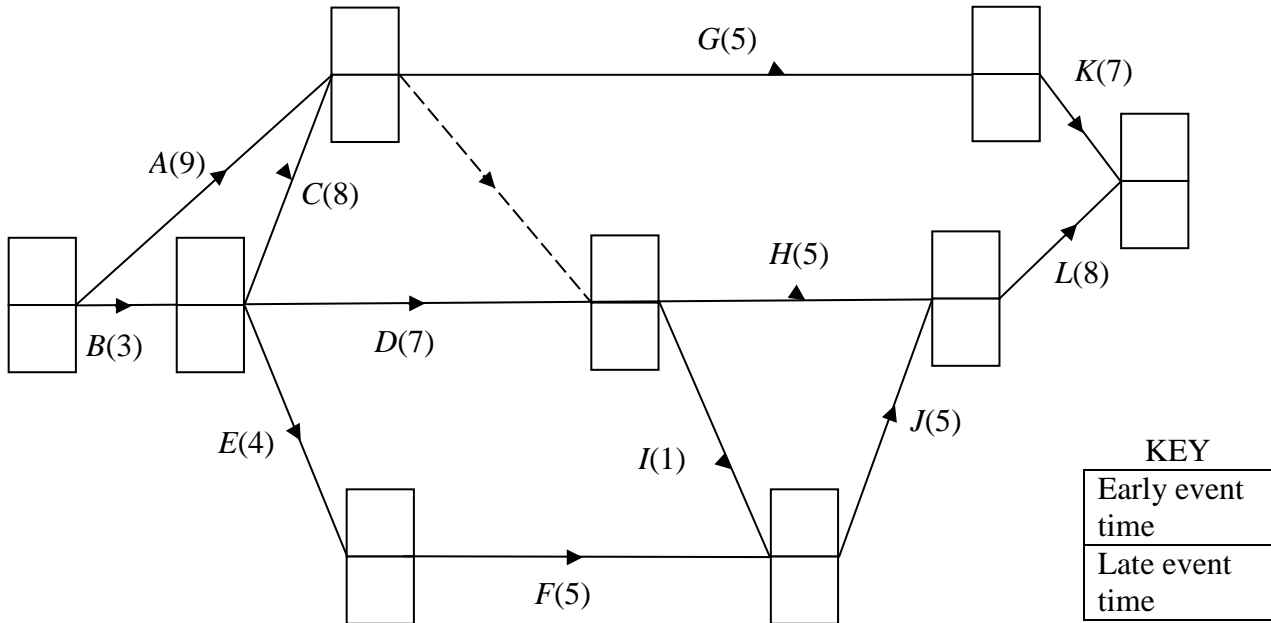
.....

.....

7. (a)

.....

(b)



(c)

.....

.....

.....

.....

.....

.....

.....

(d)

.....

.....

.....

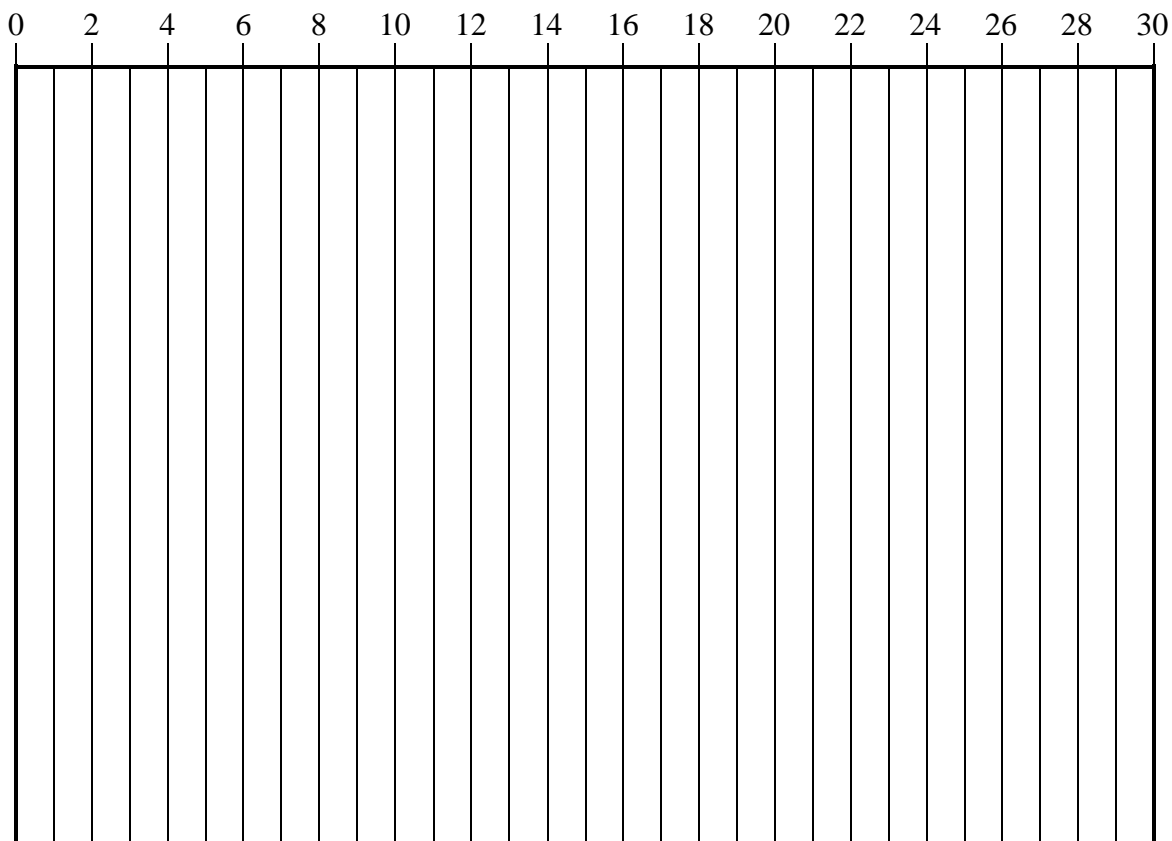
.....

.....

.....

.....

(e)



(f)

.....

.....

.....

.....