

Centre No.						Paper Reference						Surname	Initial(s)	
Candidate No.						6	6	8	9	/	0	1	Signature	

Paper Reference(s)

6689/01

Examiner's use only

--	--	--

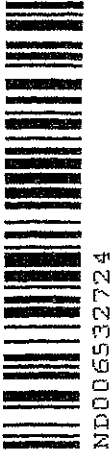
Edexcel GCE

Team Leader's use only

--	--	--

Decision Mathematics D1 Advanced/Advanced Subsidiary

Friday 11 January 2008 – Morning



Answer Book

Do not return the question paper with the answer book.

Question Number	Leave Blank
1	
2	
3	
4	
5	
6	
7	
Total	

This publication may be reproduced only in accordance with Edexcel Limited copyright policy.
©2008 Edexcel Limited.

Printer's Log. No. **N29279A**



W850/R6689/57570 3/3/3/3

Turn over

Leave
blank

(Total 9 marks)

Q1



Leave
blank

(Total 10 marks)

Q2



Leave
blank

(Total 9 marks)

Q3



4. (a)

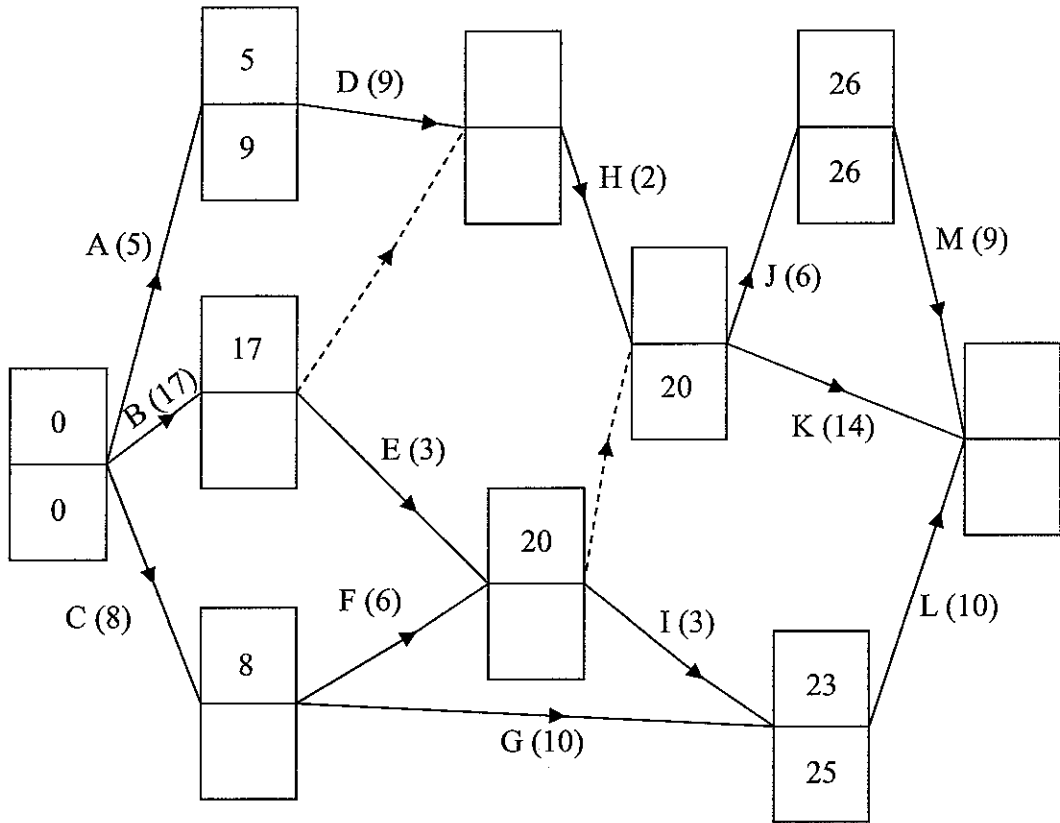


Diagram 1

(Total 11 marks)

Q4



5.

(Total 7 marks)

Q5



N 2 9 2 7 9 A 0 9 1 6

6. (a)

(b)

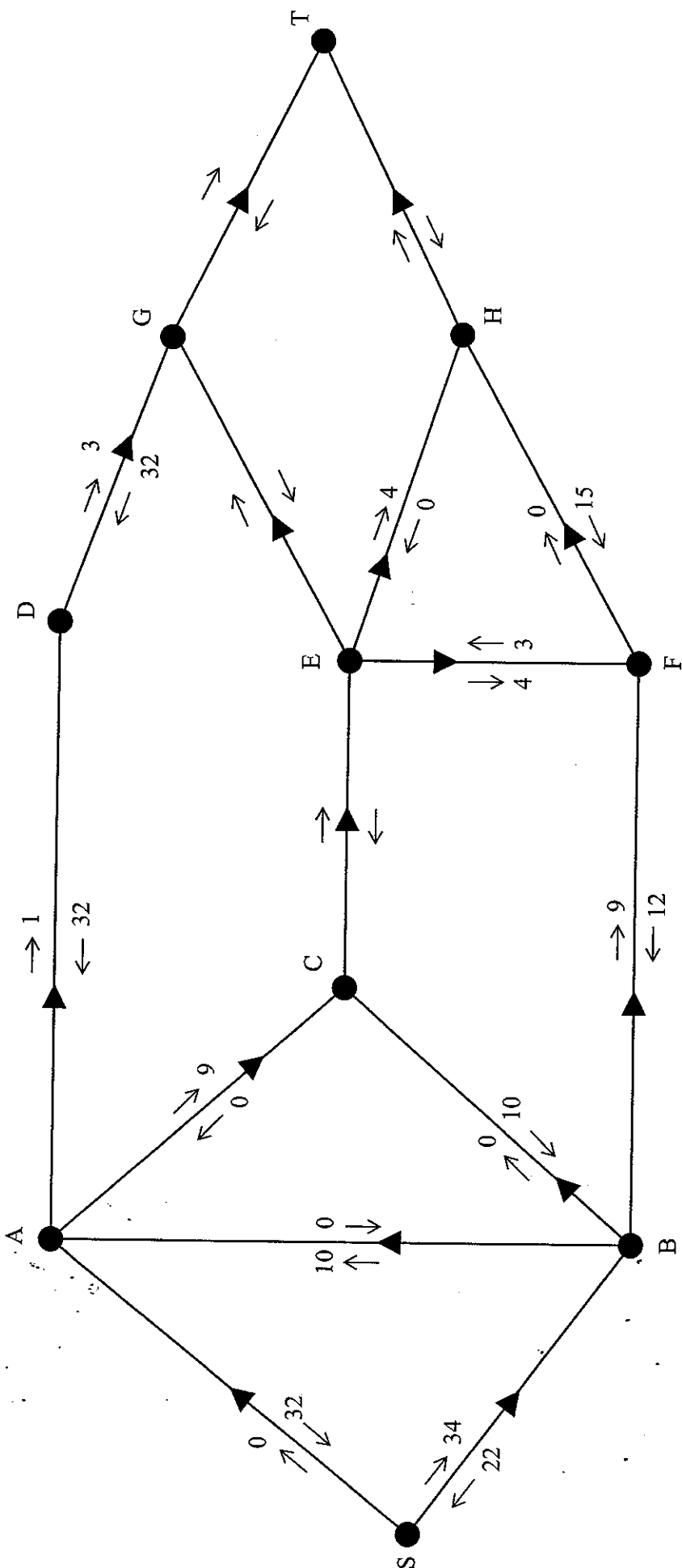


Diagram 2



(c)

(d)

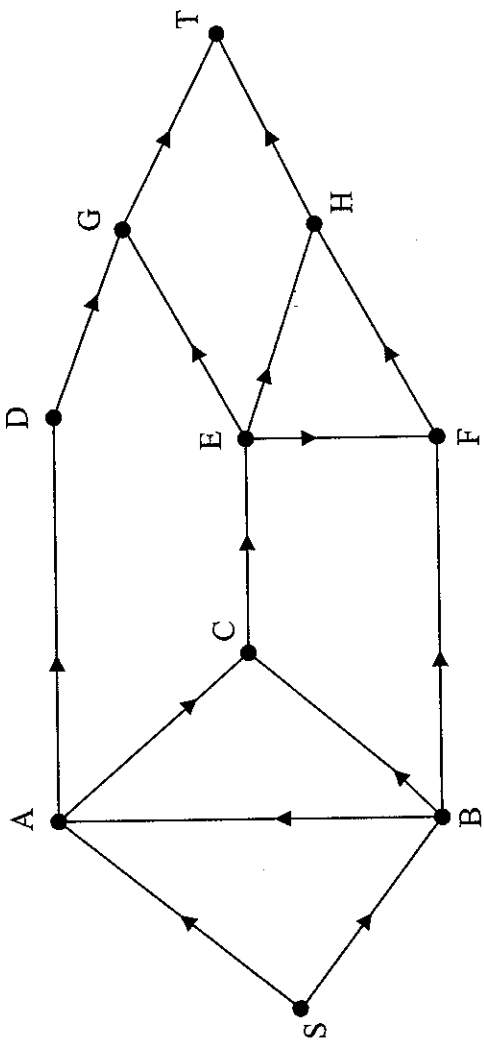


Diagram 3

(e) Value of maximum flow =

(f)

(Total 13 marks)

Q6	
----	--



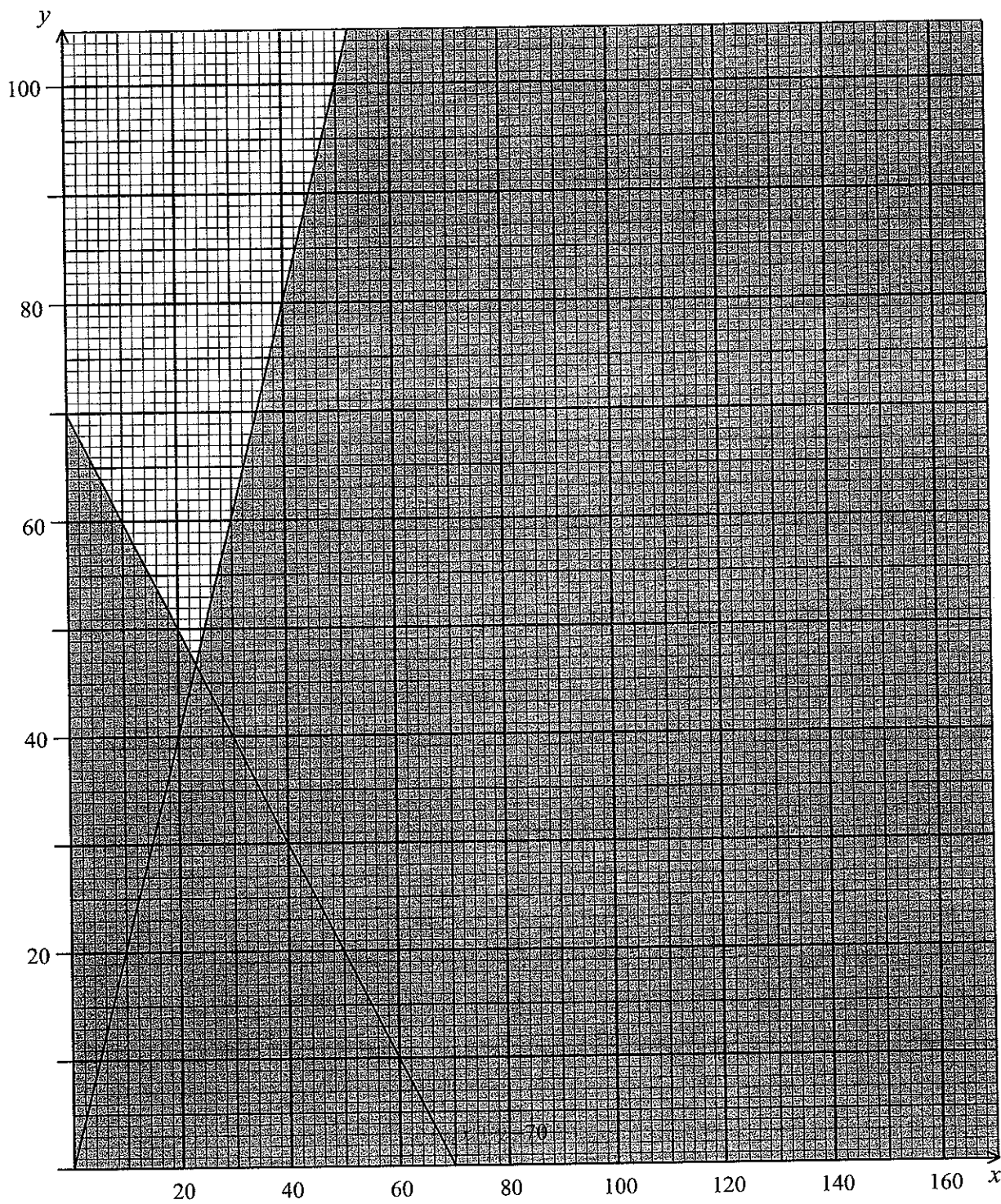


Diagram 4



Leave
blank

Lined writing area for student responses.

(Total 16 marks)

Q7

TOTAL FOR PAPER: 75 MARKS

END



BLANK PAGE



BLANK PAGE

