

Leave
blank

Handwriting practice area with 30 horizontal lines.

Q1

(Total 4 marks)

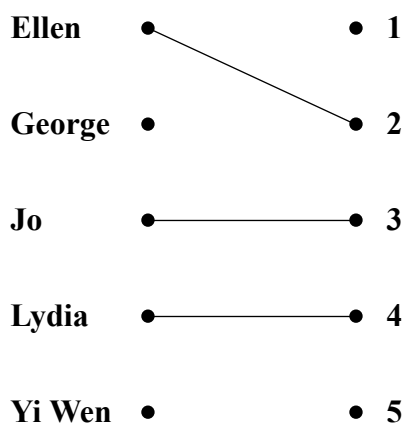
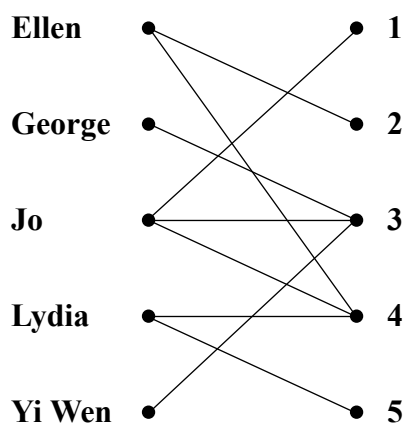


Candidates are reminded they must complete their answers in blue or black ink or pencil.

2.

Figure 1

Figure 2



(Total 7 marks)

Q2



4.

Basic variable	x	y	z	r	s	Value
r	2	0	4	1	0	80
s	1	4	2	0	1	160
P	-2	-8	-20	0	0	0

You may not need to use all of these tableaux

Basic variable	x	y	z	r	s	Value	Row operations

Basic variable	x	y	z	r	s	Value	Row operations

Basic variable	x	y	z	r	s	Value	Row operations

(Total 7 marks)

Q4



6.

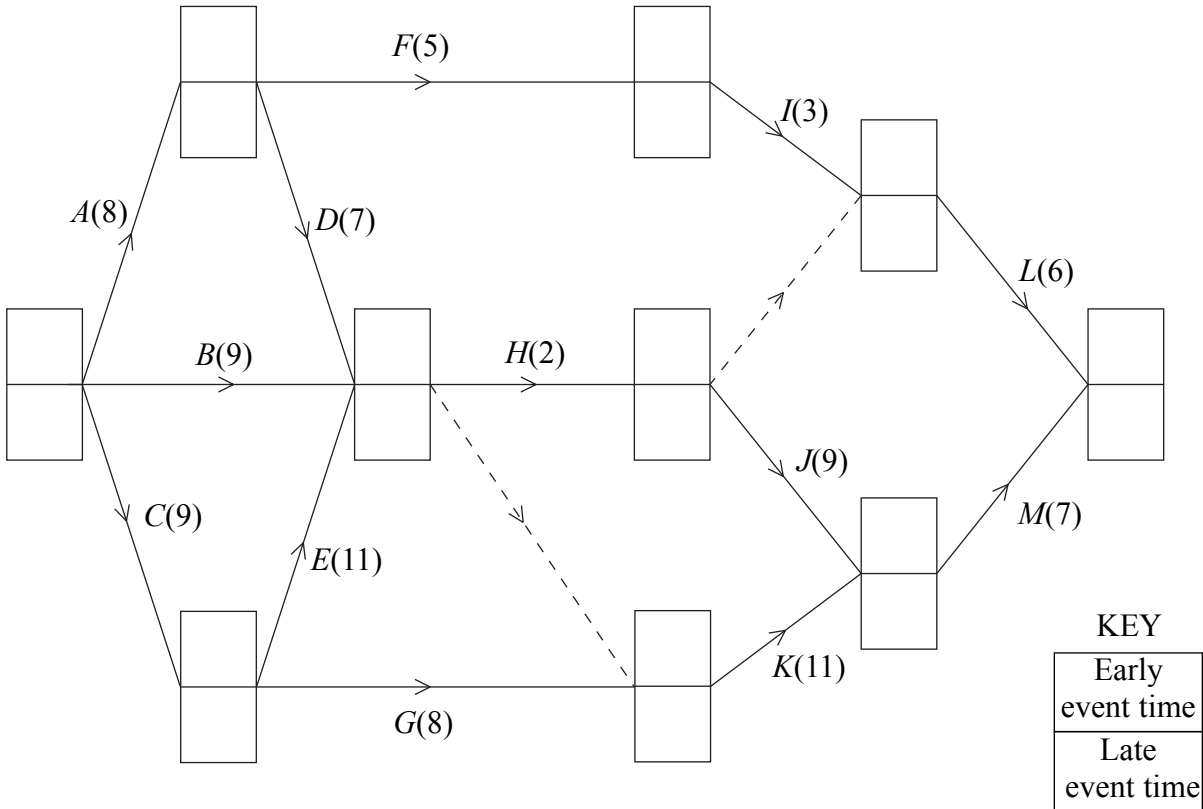
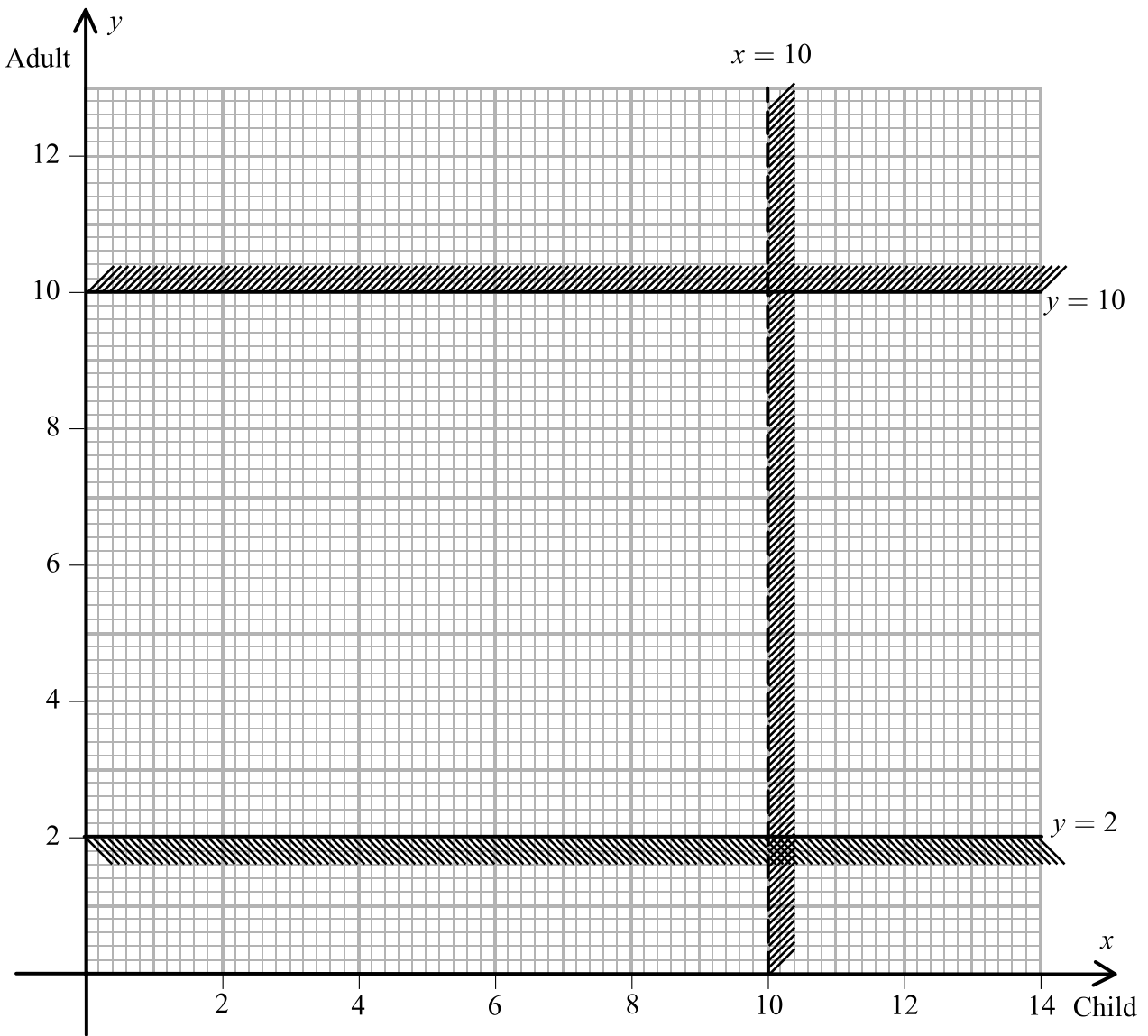


Diagram 1



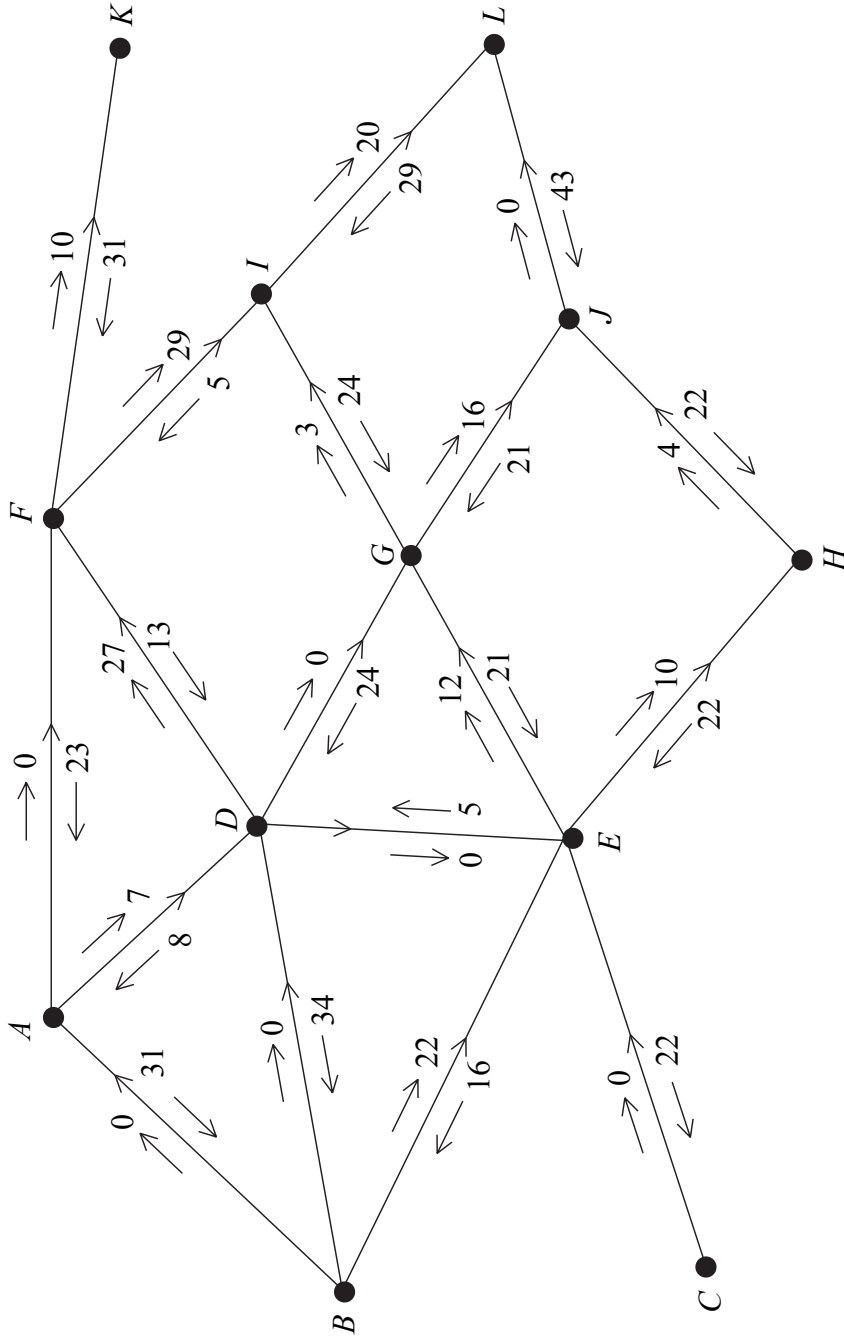
(Total 14 marks)

Q7

--	--



Diagram 2

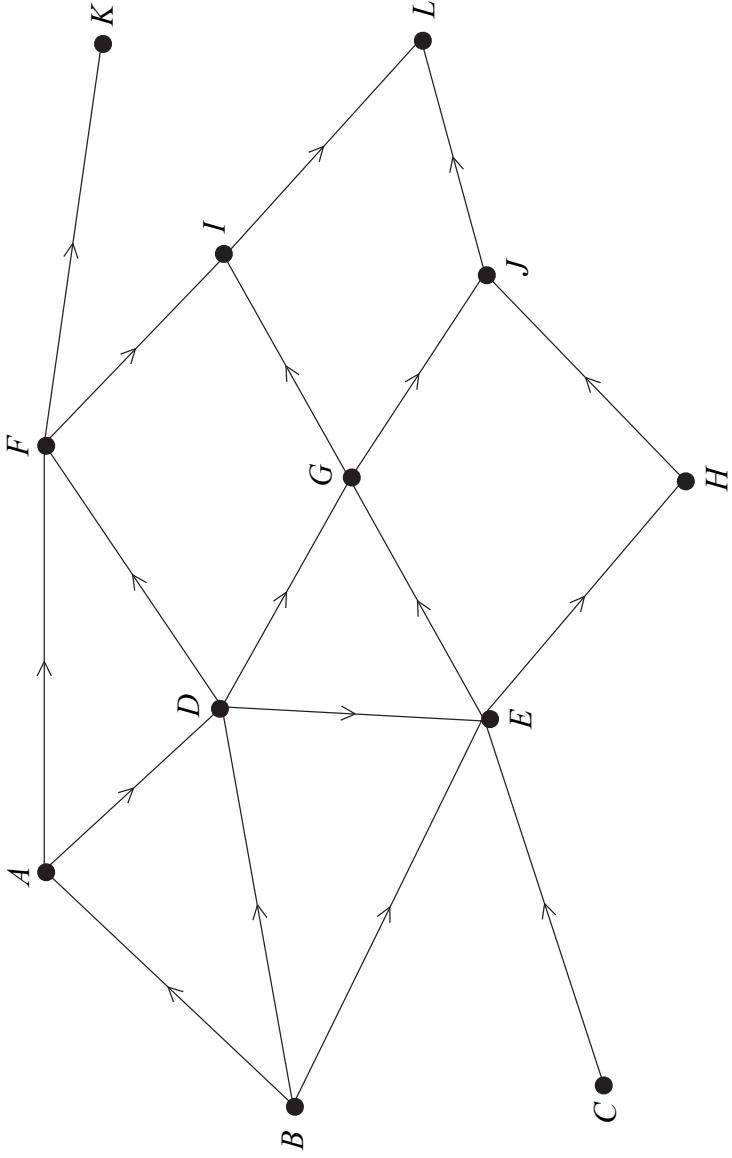


8.

Value of initial flow _____



Diagram 3



Value of flow _____

