



**Cambridge International Examinations**  
Cambridge International General Certificate of Secondary Education

---

**GEOGRAPHY**

**0460/42**

Paper 4 Alternative to Coursework

**May/June 2015**

INSERT

**1 hour 30 minutes**

---

**READ THESE INSTRUCTIONS FIRST**

This Insert contains Figs 1 and 3 and Tables 1 and 2 for Question 1, Figs 5 and 6, Table 4 and Photograph A for Question 2.

The Insert is **not** required by the Examiner.




---

The syllabus is approved for use in England, Wales and Northern Ireland as a Cambridge International Level 1/Level 2 Certificate.

This document consists of **8** printed pages.

Fig. 1 for Question 1

### Resident questionnaire

I am a student at the International College. I am doing this questionnaire as part of my Geography coursework. Please will you answer the following questions?

1. What do you think are the main advantages of tourism in Mar del Plata?

.....  
.....  
.....

2. What do you think are the main disadvantages of tourism in Mar del Plata?

.....  
.....  
.....

3. Overall, do you think there are more advantages than disadvantages from tourism in Mar del Plata?

Yes  No

Thank you for your time

Table 1 for Question 1

## Answers to questionnaire

Question 1: What do you think are the main advantages of tourism in Mar del Plata?

Main advantage	Number of residents
More jobs are created for local people	122
Opportunities for local people to earn money	115
Local roads are repaired by the city authorities	73
Better public transport	<b>60</b>
The streets are cleaned every day	45
More shops which sell different types of goods	33
Local farmers can sell their fruit and vegetables	16
Total	464

Question 2: What do you think are the main disadvantages of tourism in Mar del Plata?

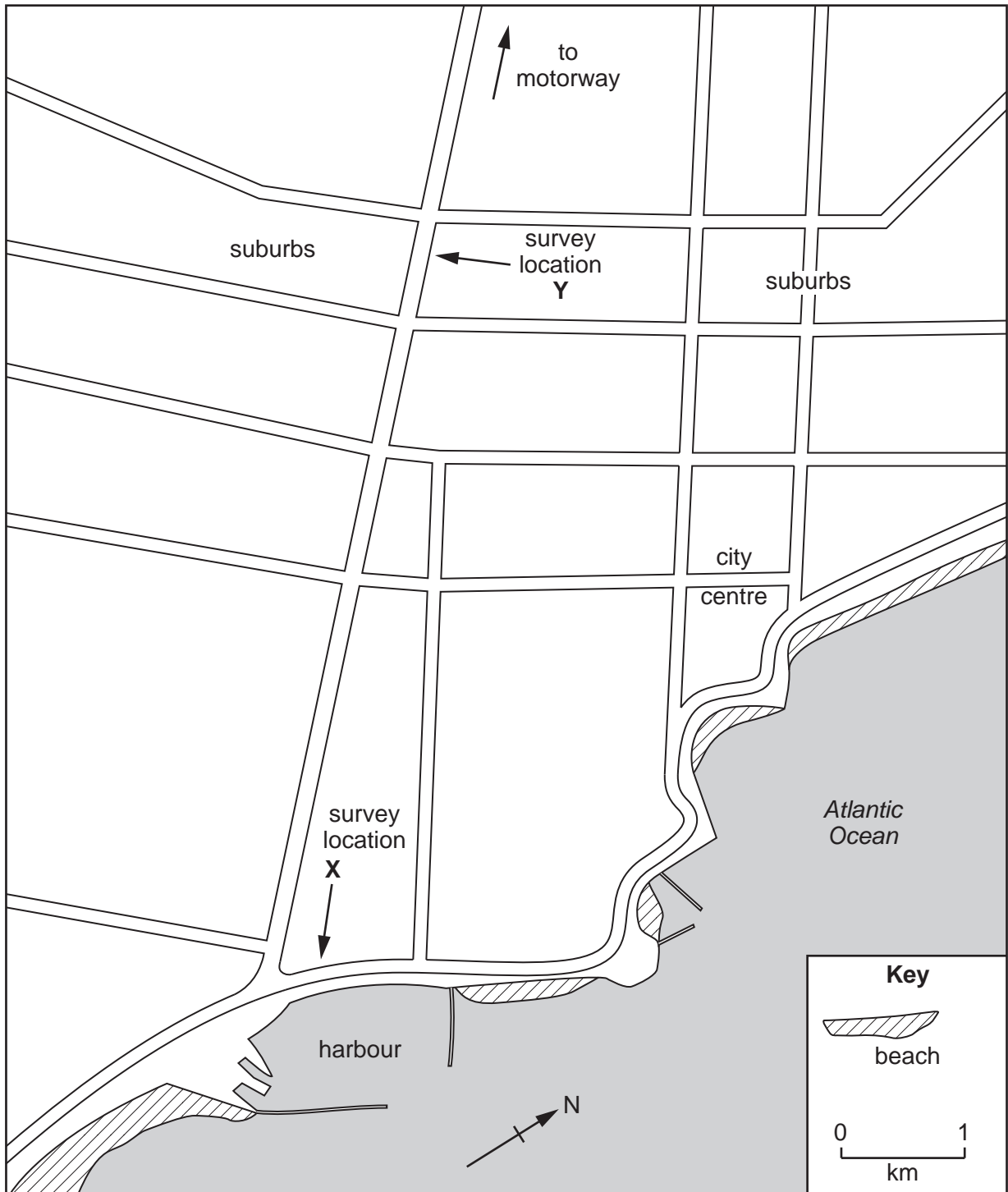
Main disadvantage	Number of residents
Increase in litter in the streets	77
More noise late in the evening	69
Traffic congestion on the local roads	60
Higher prices are charged in shops	<b>47</b>
More crime and disturbance	29
Total	282

Question 3: Overall, do you think there are more advantages than disadvantages from tourism in Mar del Plata?

Answer	Number of residents
Yes	129
No	21
Total	150

Fig. 3 for Question 1

Map of Mar del Plata showing locations X and Y



5

Table 2 for Question 1

## Results of traffic survey

## Location X

Time	Number of vehicles	
	Summer	Winter
08.00 – 08.15	183	101
10.00 – 10.15	208	105
12.00 – 12.15	377	162
14.00 – 14.15	349	139
16.00 – 16.15	301	<b>220</b>
18.00 – 18.15	284	<b>122</b>
Total	1702	849

## Location Y

Time	Number of vehicles	
	Summer	Winter
08.00 – 08.15	310	295
10.00 – 10.15	240	262
12.00 – 12.15	298	268
14.00 – 14.15	307	320
16.00 – 16.15	368	380
18.00 – 18.15	351	339
Total	1874	1864

Fig. 5 for Question 2

Beach profiles

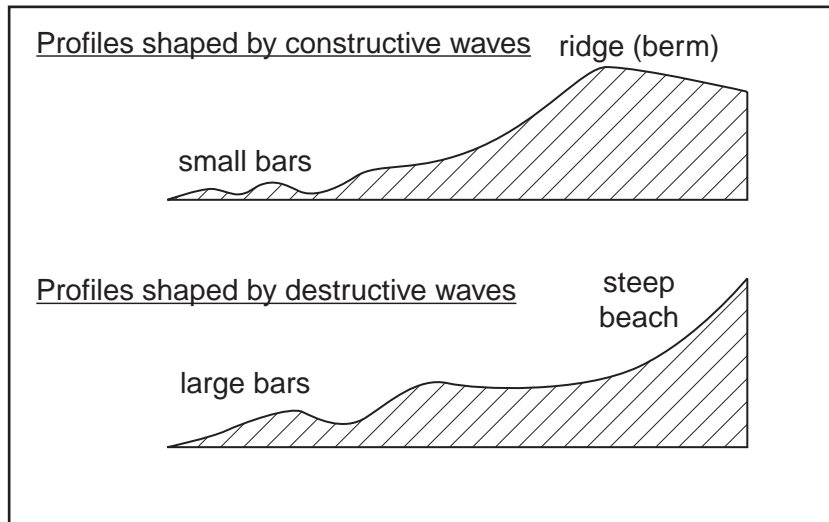


Fig. 6 for Question 2

Measuring a beach profile

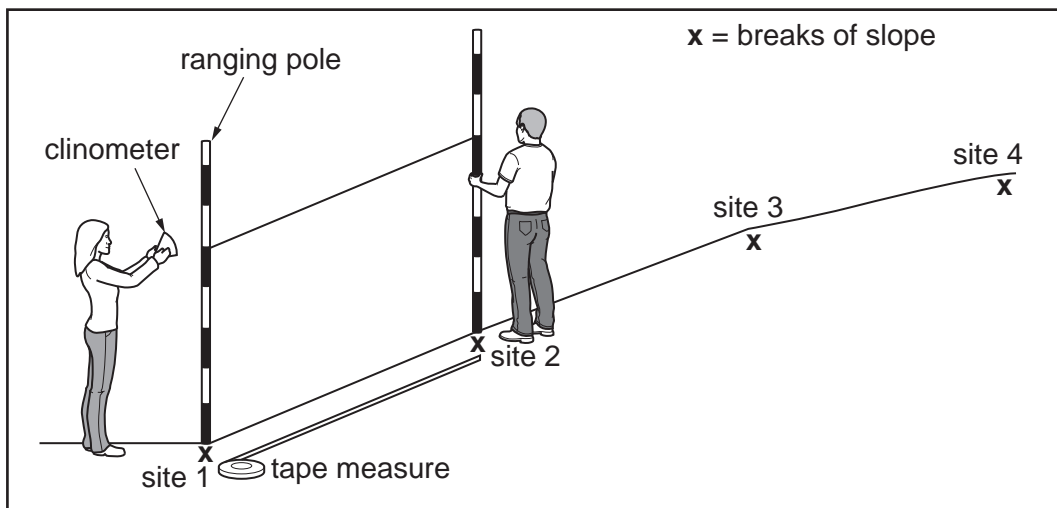


Table 4 for Question 2

## Results of pebble measurements

Distance along beach from west to east (m)	Average length of 20 pebbles (cm)
<b>0</b>	<b>6.5</b>
20	7.2
40	6.5
60	6.1
80	8.0
100	6.0
120	5.4
140	5.1
160	5.9
180	5.0
200	4.9
220	4.3
<b>240</b>	<b>4.2</b>
260	4.0

**Photograph A for Question 2**

---

Permission to reproduce items where third-party owned material protected by copyright is included has been sought and cleared where possible. Every reasonable effort has been made by the publisher (UCLES) to trace copyright holders, but if any items requiring clearance have unwittingly been included, the publisher will be pleased to make amends at the earliest possible opportunity.

To avoid the issue of disclosure of answer-related information to candidates, all copyright acknowledgements are reproduced online in the Cambridge International Examinations Copyright Acknowledgements Booklet. This is produced for each series of examinations and is freely available to download at [www.cie.org.uk](http://www.cie.org.uk) after the live examination series.

Cambridge International Examinations is part of the Cambridge Assessment Group. Cambridge Assessment is the brand name of University of Cambridge Local Examinations Syndicate (UCLES), which is itself a department of the University of Cambridge.