



Cambridge IGCSE™

COMPUTER SCIENCE**0478/12**

Paper 1

March 2020

MARK SCHEME

Maximum Mark: 75

Published

This mark scheme is published as an aid to teachers and candidates, to indicate the requirements of the examination. It shows the basis on which Examiners were instructed to award marks. It does not indicate the details of the discussions that took place at an Examiners' meeting before marking began, which would have considered the acceptability of alternative answers.

Mark schemes should be read in conjunction with the question paper and the Principal Examiner Report for Teachers.

Cambridge International will not enter into discussions about these mark schemes.

Cambridge International is publishing the mark schemes for the March 2020 series for most Cambridge IGCSE™, Cambridge International A and AS Level components and some Cambridge O Level components.

This document consists of **14** printed pages.

Generic Marking Principles

These general marking principles must be applied by all examiners when marking candidate answers. They should be applied alongside the specific content of the mark scheme or generic level descriptors for a question. Each question paper and mark scheme will also comply with these marking principles.

GENERIC MARKING PRINCIPLE 1:

Marks must be awarded in line with:

- the specific content of the mark scheme or the generic level descriptors for the question
- the specific skills defined in the mark scheme or in the generic level descriptors for the question
- the standard of response required by a candidate as exemplified by the standardisation scripts.

GENERIC MARKING PRINCIPLE 2:

Marks awarded are always **whole marks** (not half marks, or other fractions).

GENERIC MARKING PRINCIPLE 3:

Marks must be awarded **positively**:

- marks are awarded for correct/valid answers, as defined in the mark scheme. However, credit is given for valid answers which go beyond the scope of the syllabus and mark scheme, referring to your Team Leader as appropriate
- marks are awarded when candidates clearly demonstrate what they know and can do
- marks are not deducted for errors
- marks are not deducted for omissions
- answers should only be judged on the quality of spelling, punctuation and grammar when these features are specifically assessed by the question as indicated by the mark scheme. The meaning, however, should be unambiguous.

GENERIC MARKING PRINCIPLE 4:

Rules must be applied consistently e.g. in situations where candidates have not followed instructions or in the application of generic level descriptors.

GENERIC MARKING PRINCIPLE 5:

Marks should be awarded using the full range of marks defined in the mark scheme for the question (however; the use of the full mark range may be limited according to the quality of the candidate responses seen).

GENERIC MARKING PRINCIPLE 6:

Marks awarded are based solely on the requirements as defined in the mark scheme. Marks should not be awarded with grade thresholds or grade descriptors in mind.

Question	Answer	Mark										
<p>1(a)</p>	<table border="1"> <thead> <tr> <th data-bbox="322 209 696 276">Component</th> <th data-bbox="943 209 1429 276">Description</th> </tr> </thead> <tbody> <tr> <td data-bbox="322 276 696 416">Control Bus</td> <td data-bbox="943 276 1429 416">Increments to point to the address of the next instruction to be fetched</td> </tr> <tr> <td data-bbox="322 475 696 616">Program Counter (PC)</td> <td data-bbox="943 475 1429 616">Holds the result of a calculation. It is located within the Arithmetic Logic Unit (ALU)</td> </tr> <tr> <td data-bbox="322 675 696 783">Memory Data Register (MDR)</td> <td data-bbox="943 675 1429 783">Carries signals to synchronise the fetch-execute cycle</td> </tr> <tr> <td data-bbox="322 842 696 983">Accumulator (ACC)</td> <td data-bbox="943 842 1429 983">Temporary storage between the Central Processing (CPU) and primary memory</td> </tr> </tbody> </table> <p>1 mark for 1 correct line 2 marks for 2 correct lines 3 marks for 3/4 correct lines</p>	Component	Description	Control Bus	Increments to point to the address of the next instruction to be fetched	Program Counter (PC)	Holds the result of a calculation. It is located within the Arithmetic Logic Unit (ALU)	Memory Data Register (MDR)	Carries signals to synchronise the fetch-execute cycle	Accumulator (ACC)	Temporary storage between the Central Processing (CPU) and primary memory	<p>3</p>
Component	Description											
Control Bus	Increments to point to the address of the next instruction to be fetched											
Program Counter (PC)	Holds the result of a calculation. It is located within the Arithmetic Logic Unit (ALU)											
Memory Data Register (MDR)	Carries signals to synchronise the fetch-execute cycle											
Accumulator (ACC)	Temporary storage between the Central Processing (CPU) and primary memory											
<p>1(b)</p>	<p>Any two from:</p> <ul style="list-style-type: none"> • Address bus • Data bus 	<p>2</p>										

Question	Answer	Mark																																
2(a)	<p>1 mark per each correct row:</p> <table border="1" data-bbox="461 284 1814 798"> <thead> <tr> <th data-bbox="461 284 1066 494" rowspan="2">Description</th> <th colspan="2" data-bbox="1066 284 1368 355">Method</th> <th colspan="3" data-bbox="1368 284 1814 355">Type</th> </tr> <tr> <th data-bbox="1066 355 1218 494">Serial (✓)</th> <th data-bbox="1218 355 1368 494">Parallel (✓)</th> <th data-bbox="1368 355 1507 494">Simplex (✓)</th> <th data-bbox="1507 355 1677 494">Half-duplex (✓)</th> <th data-bbox="1677 355 1814 494">Duplex (✓)</th> </tr> </thead> <tbody> <tr> <td data-bbox="461 494 1066 595">Data is sent down a single wire in a single direction only.</td> <td data-bbox="1066 494 1218 595">✓</td> <td data-bbox="1218 494 1368 595"></td> <td data-bbox="1368 494 1507 595">✓</td> <td data-bbox="1507 494 1677 595"></td> <td data-bbox="1677 494 1814 595"></td> </tr> <tr> <td data-bbox="461 595 1066 695">Data is sent down multiple wires in both directions, at the same time.</td> <td data-bbox="1066 595 1218 695"></td> <td data-bbox="1218 595 1368 695">✓</td> <td data-bbox="1368 595 1507 695"></td> <td data-bbox="1507 595 1677 695"></td> <td data-bbox="1677 595 1814 695">✓</td> </tr> <tr> <td data-bbox="461 695 1066 798">Data is sent down a single wire in both directions, but never at the same time.</td> <td data-bbox="1066 695 1218 798">✓</td> <td data-bbox="1218 695 1368 798"></td> <td data-bbox="1368 695 1507 798"></td> <td data-bbox="1507 695 1677 798">✓</td> <td data-bbox="1677 695 1814 798"></td> </tr> </tbody> </table>	Description	Method		Type			Serial (✓)	Parallel (✓)	Simplex (✓)	Half-duplex (✓)	Duplex (✓)	Data is sent down a single wire in a single direction only.	✓		✓			Data is sent down multiple wires in both directions, at the same time.		✓			✓	Data is sent down a single wire in both directions, but never at the same time.	✓			✓		3			
Description	Method		Type																															
	Serial (✓)	Parallel (✓)	Simplex (✓)	Half-duplex (✓)	Duplex (✓)																													
Data is sent down a single wire in a single direction only.	✓		✓																															
Data is sent down multiple wires in both directions, at the same time.		✓			✓																													
Data is sent down a single wire in both directions, but never at the same time.	✓			✓																														
2(b)(i)	<p>1 mark for each correct parity bit:</p> <table border="1" data-bbox="553 898 1720 1161"> <thead> <tr> <th colspan="7" data-bbox="553 898 1487 965">Binary Value</th> <th data-bbox="1487 898 1720 965">Parity Bit</th> </tr> </thead> <tbody> <tr> <td data-bbox="553 965 687 1032">1</td> <td data-bbox="687 965 822 1032">1</td> <td data-bbox="822 965 956 1032">0</td> <td data-bbox="956 965 1090 1032">0</td> <td data-bbox="1090 965 1225 1032">1</td> <td data-bbox="1225 965 1359 1032">1</td> <td data-bbox="1359 965 1487 1032">1</td> <td data-bbox="1487 965 1720 1032">1</td> </tr> <tr> <td data-bbox="553 1032 687 1099">1</td> <td data-bbox="687 1032 822 1099">0</td> <td data-bbox="822 1032 956 1099">1</td> <td data-bbox="956 1032 1090 1099">0</td> <td data-bbox="1090 1032 1225 1099">1</td> <td data-bbox="1225 1032 1359 1099">0</td> <td data-bbox="1359 1032 1487 1099">1</td> <td data-bbox="1487 1032 1720 1099">0</td> </tr> <tr> <td data-bbox="553 1099 687 1161">0</td> <td data-bbox="687 1099 822 1161">1</td> <td data-bbox="822 1099 956 1161">1</td> <td data-bbox="956 1099 1090 1161">0</td> <td data-bbox="1090 1099 1225 1161">1</td> <td data-bbox="1225 1099 1359 1161">0</td> <td data-bbox="1359 1099 1487 1161">0</td> <td data-bbox="1487 1099 1720 1161">1</td> </tr> </tbody> </table>	Binary Value							Parity Bit	1	1	0	0	1	1	1	1	1	0	1	0	1	0	1	0	0	1	1	0	1	0	0	1	3
Binary Value							Parity Bit																											
1	1	0	0	1	1	1	1																											
1	0	1	0	1	0	1	0																											
0	1	1	0	1	0	0	1																											
2(b)(ii)	<p>Any one from:</p> <ul style="list-style-type: none"> • Transposition error // bits are interchanged • Bits still add up to even number • Even number of errors has occurred 	1																																

Question	Answer	Mark
2(c)(i)	Any two from: <ul style="list-style-type: none">• Scrambles data• ... making it meaningless/unintelligible• Uses an algorithm / key• Data / plain text is changed to cipher text	2
2(c)(ii)	Any one from: <ul style="list-style-type: none">• Increase the length of the key // use more than 128 bits• Uses a more complex encryption algorithm	1

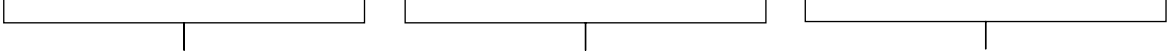
Question	Answer	Mark
2(d)	<p>Any six from (max four for identification of method only):</p> <ul style="list-style-type: none"> • Backups • ... if data is lost can be replaced • Install antivirus // Anti malware • ... detects/deletes viruses that could corrupt/delete data • Install firewall • ... helps prevent hackers gaining access and deleting/corrupting data • Password / Biometrics • Two factor authentication // two-step verification • ... helps prevent unauthorised access and the deletion/corruption of data • Access rights • ... helps prevent users accessing data they should not see and deleting it • Network/usage policy • ... gives users guidance on data use // by example • Surge protection // Uninterrupted power supply (UPS) • ... prevents loss of data that has not been saved • ... prevents damage to hardware (that stores data) • Physical method // by example • ... helps prevent unauthorised access and the deletion/corruption of data 	6

Question	Answer	Mark
3(a)(i)	Any one from: <ul style="list-style-type: none"> • They are both non-volatile • They are both secondary storage // Both not directly accessed by the CPU • They both have a high capacity of storage • Both have read and write abilities 	1
3(a)(ii)	Any three from: <ul style="list-style-type: none"> • HDD has moving parts but SSD does not • HDD uses magnetic storage whereas SSD uses flash memory • HDD is slower to access data than SSD // HDD has greater latency than SSD • HDD will create noise/heat, whereas SSD runs quieter/cooler • HDD has higher power consumption than SSD • HDD have greater longevity/more read-write cycles whereas SSD has lower longevity/limited number of read-write cycles • HDD larger in physical size/heavier than SSD • HDD is normally cheaper for the same capacity of storage as SSD • HDD is available in a larger storage capacity than SSD 	3
3(b)	Any one from: <ul style="list-style-type: none"> • USB flash memory drive • External HDD/SSD • SD Card • CD / DVD / Blu-ray 	1
3(c)(i)	Any two from: <ul style="list-style-type: none"> • Keyboard • Mouse • Microphone • Touchscreen 	2
3(c)(ii)	Any two from: <ul style="list-style-type: none"> • Monitor / Screen • Speakers • Headphones • Printer 	2

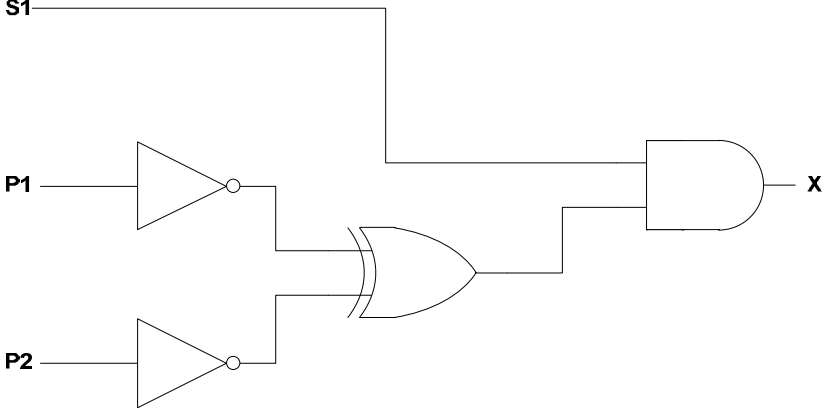
Question	Answer	Mark
3(d)	Any two from: <ul style="list-style-type: none"> • Uses a compression algorithm • Does not permanently remove any data • Repeated patterns of notes are identified ... • ... and are grouped, with an index NOTE: Other possible methods of lossless compression of sound can be credited	2
3(e)(i)	Any two from: <ul style="list-style-type: none"> • Stores the notes played and not the sound • Contains instructions/commands for digital instruments // Is recorded / played on a digital instrument e.g. synthesiser • Stores data about notes e.g. pitch byte (Note: Two examples can be awarded) • Can be a compressed format • Can edit individual notes 	2
3(e)(ii)	Any two from: <ul style="list-style-type: none"> • Contains actual sound • Contains samples of the sound wave • Contains metadata // by example • Uses lossy compression • Recorded using microphone // Is recorded/played on an MP3 recorder/player 	2

Question	Answer	Mark																								
4	<table border="1" style="width: 100%; border-collapse: collapse;"> <thead> <tr> <th style="width: 60%;">Statement</th> <th style="width: 15%;">Assembler (✓)</th> <th style="width: 15%;">Compiler (✓)</th> <th style="width: 10%;">Interpreter (✓)</th> </tr> </thead> <tbody> <tr> <td>Translates low-level language to machine code</td> <td style="text-align: center;">✓</td> <td></td> <td></td> </tr> <tr> <td>Translates high-level language to machine code</td> <td></td> <td style="text-align: center;">(✓)</td> <td style="text-align: center;">✓</td> </tr> <tr> <td>Produces error messages</td> <td style="text-align: center;">(✓)</td> <td style="text-align: center;">✓</td> <td style="text-align: center;">✓</td> </tr> <tr> <td>Translates high-level language one line at a time</td> <td></td> <td></td> <td style="text-align: center;">✓</td> </tr> <tr> <td>Produces an executable file</td> <td style="text-align: center;">(✓)</td> <td style="text-align: center;">✓</td> <td></td> </tr> </tbody> </table> <p>1 mark per each correct row:</p> <p>NOTE: tick shown in brackets (✓) is optional</p>	Statement	Assembler (✓)	Compiler (✓)	Interpreter (✓)	Translates low-level language to machine code	✓			Translates high-level language to machine code		(✓)	✓	Produces error messages	(✓)	✓	✓	Translates high-level language one line at a time			✓	Produces an executable file	(✓)	✓		5
Statement	Assembler (✓)	Compiler (✓)	Interpreter (✓)																							
Translates low-level language to machine code	✓																									
Translates high-level language to machine code		(✓)	✓																							
Produces error messages	(✓)	✓	✓																							
Translates high-level language one line at a time			✓																							
Produces an executable file	(✓)	✓																								

Question	Answer	Mark						
5(a)	<p>Any two from:</p> <ul style="list-style-type: none"> • Computer consist of transistors / logic circuits • ... that can only store/process data in two states / as high-low / on-off / 1 and 0 	2						
5(b)	<p>1 mark per each correct 8-bit binary value:</p> <table border="1" style="width: 100%; border-collapse: collapse; margin-left: auto; margin-right: auto;"> <thead> <tr> <th style="width: 50%;">Denary Value</th> <th style="width: 50%;">8-bit binary register</th> </tr> </thead> <tbody> <tr> <td style="text-align: center;">129</td> <td style="text-align: center;">10000001</td> </tr> <tr> <td style="text-align: center;">56</td> <td style="text-align: center;">00111000</td> </tr> </tbody> </table>	Denary Value	8-bit binary register	129	10000001	56	00111000	2
Denary Value	8-bit binary register							
129	10000001							
56	00111000							

Question	Answer	Mark												
5(c)	<p>1 mark per each correct conversion:</p> <table border="1" data-bbox="322 284 1525 363"><tr><td>0</td><td>0</td><td>1</td><td>1</td><td>1</td><td>0</td><td>1</td><td>0</td><td>1</td><td>0</td><td>0</td><td>1</td></tr></table> <p data-bbox="344 368 1509 421"></p> <p data-bbox="488 451 584 480">1 mark</p> <p data-bbox="887 451 983 480">1 mark</p> <p data-bbox="1285 451 1382 480">1 mark</p>	0	0	1	1	1	0	1	0	1	0	0	1	3
0	0	1	1	1	0	1	0	1	0	0	1			
5(d)	<p>Any two from:</p> <ul data-bbox="322 576 1032 895" style="list-style-type: none">• Represent colours in HTML // HTML colour codes• MAC address• Assembly Language• Error messages• IP address• ASCII values• URL• Memory dump• Memory locations	2												

Question	Answer					Mark
6(a)	A	B	C	Working space	X	4
	0	0	0		0	
	0	0	1		0	
	0	1	0		0	
	0	1	1		1	
	1	0	0		1	
	1	0	1		1	
	1	1	0		0	
	1	1	1		1	
	4 marks for 8 correct outputs 3 marks for 6/7 correct outputs 2 marks for 4/5 correct outputs 1 mark for 2/3 correct outputs					

Question	Answer	Mark
6(b)	<p>1 mark for each correct logic gate:</p>  <p>NOTE: Can also award 4 marks to a circuit that shows $X = (P1 \text{ XOR } P2) \text{ AND } (S1)$</p>	4

Question	Answer	Mark
7	<p>Any seven from:</p> <ul style="list-style-type: none"> • Uses light sensor and Infrared / Motion / Pressure sensor • Sensors send data to the microprocessor • Data is converted from analogue to digital (using ADC) • Microprocessor compares both values to stored values • If motion value is out of range/in range, light value is checked // If light value is ≤ 10, motion value is checked • If light value is ≤ 10 lights are turned on // If motion value is out of range/in range lights are turned on ... • ... by sending a signal to actuator • Lights remain on for set period (and then turn off) // If motion is in range/out of range or light is > 10 then signal sent to turn lights off • Process repeats / is continuous 	7

Question	Answer	Mark
8(a)	Any five from: <ul style="list-style-type: none"> • Sends the URL of the website • ... to a DNS to find the IP address • Connects to the webserver (using the IP address) ... • ... using HTTP / HTTPS • Renders/Translates the HTML • Runs active/client-side scripts built into webpages • Manages SSL/TLS certificate process • Stores/retrieves cookies 	5
8(b)	Any three from: <ul style="list-style-type: none"> • Webserver is sent multiple requests // Requests flood the webserver ... • ... at the same time • Webserver crashes / runs slow • Designed to prevent access to e.g. a website // Stops legitimate requests being processed/serviced 	3
8(c)(i)	<ul style="list-style-type: none"> • A law/legislation that requires permission to use intellectual property / other people's work 	1
8(c)(ii)	Any one from: <ul style="list-style-type: none"> • To claim other's work as your own • To use other people's work without consent / acknowledgement • Theft of intellectual property 	1