

OCR Computer Science AS Level

1.4.3 Boolean Algebra

Flashcards



Which logic gate is this?



Which logic gate is this?



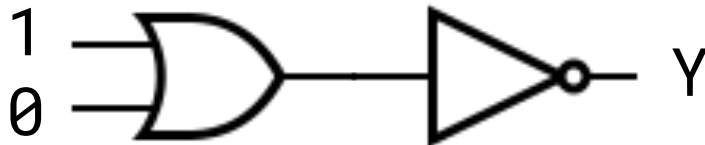
Exclusive Disjunction (XOR)



What is the equation symbol
for conjunction?



What will the value of Y be
in this logic circuit?



What would be the value of Y in the logic circuit?

0



What is the equation symbol for conjunction?

\wedge



Which logic gate is this?



Which logic gate is this? 

Disjunction (OR)



What is the equation symbol
for conjunction?



What is the equation symbol for conjunction?

\wedge



Which is the truth table for AND?

A

A	B	Y
0	0	0
0	1	1
1	0	1
1	1	0

B

A	B	Y
0	0	1
0	1	1
1	0	1
1	1	0

C

A	B	Y
0	0	0
0	1	1
1	0	0
1	1	1

D

A	B	Y
0	0	0
0	1	0
1	0	0
1	1	1

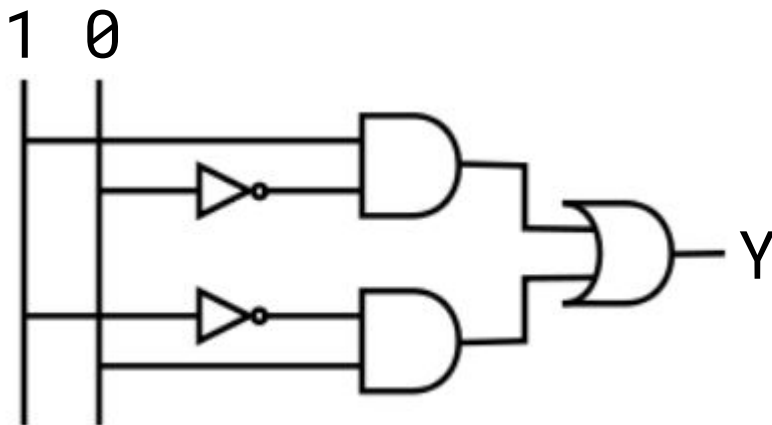


Which was the truth table for AND?

D



What will the value of Y be
in this logic circuit?



What would be the value of Y in the logic circuit?

1



What is the equation symbol
for exclusive disjunction?



What is the equation symbol for exclusive disjunction?

∨

