

Q1.Water from a lake in the UK is used to produce drinking water.

(a) What are the two main steps used to treat water from lakes?

Give a reason for each step.

Step 1

Reason

Step 2

Reason

(2)

(b) Explain why it is more difficult to produce drinking water from waste water than from water in lakes.

.....
.....
.....
.....
.....
.....

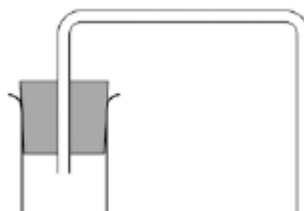
(3)

(c) Some countries make drinking water from sea water.

Complete the figure below to show how you can distil salt solution to produce and collect pure water.

Label the following:

- pure water
- salt solution



(3)

(d) How could the water be tested to show it is pure?

Give the expected result of the test for pure water.

.....

.....

.....

.....

.....

(2)

(e) Why is producing drinking water from sea water expensive?

.....

.....

(1)

(Total 11 marks)

Q2.Water in Britain is taken from reservoirs to use as drinking water.



© KatieJonesPhotography/iStock/Thinkstock

(a) What are the **two** main steps used to treat water from reservoirs?

Give **one** reason for each step.

.....

.....

.....

.....

.....

.....

.....

.....

.....

.....

(4)

(b) Some people use water filters to treat water before drinking it.

(i) Water filters remove hardness from hard water.

What is in water filters that removes hardness from water?

.....

.....

(1)

(ii) Suggest why water filters used in the home contain particles of silver.

.....
.....

(1)

(c) Pure water can be produced by distillation.

Why is distillation **not** usually an economic method of treating water for drinking?

.....
.....

(1)

(d) Drinking hard water has health benefits.

State **one** health benefit of drinking hard water.

.....
.....

(1)

(Total 8 marks)

Q3. Most water contains dissolved compounds.

The concentrations of these dissolved compounds are higher in sea water than in drinking water.

(a) (i) Draw a ring around the correct answer to complete the sentence.

Pure water can be obtained from sea water by

- | |
|-----------------|
| distillation. |
| filtration. |
| neutralisation. |

(1)

(ii) What is the boiling point of pure water? °C

(1)

(b) A student wanted to find out how much solid was dissolved in sea water.

This is the method the student used:

- measure the mass of an empty evaporating basin
- measure 25 cm³ of sea water and pour it into the evaporating basin
- heat the evaporating basin gently until all of the water has evaporated
- measure the mass of the evaporating basin containing the solid residue.

(i) What piece of apparatus would be suitable for measuring 25 cm³ of sea water?

.....

(1)

(ii) How could the student check that all of the water had evaporated?

.....
.....
.....
.....

(2)

(iii) The results the student obtained using 25 cm³ of sea water are:

mass of empty evaporating basin = 23.21 g

mass of evaporating basin and dry solid residue = 24.04 g

Calculate the mass of solid dissolved in 1000 cm³ of the sea water.

.....
.....
.....

Mass dissolved in 1000 cm³ = g

(2)

(c) In many countries chlorine is added to drinking water supplies.

Why is chlorine added to drinking water?

.....
.....

(1)

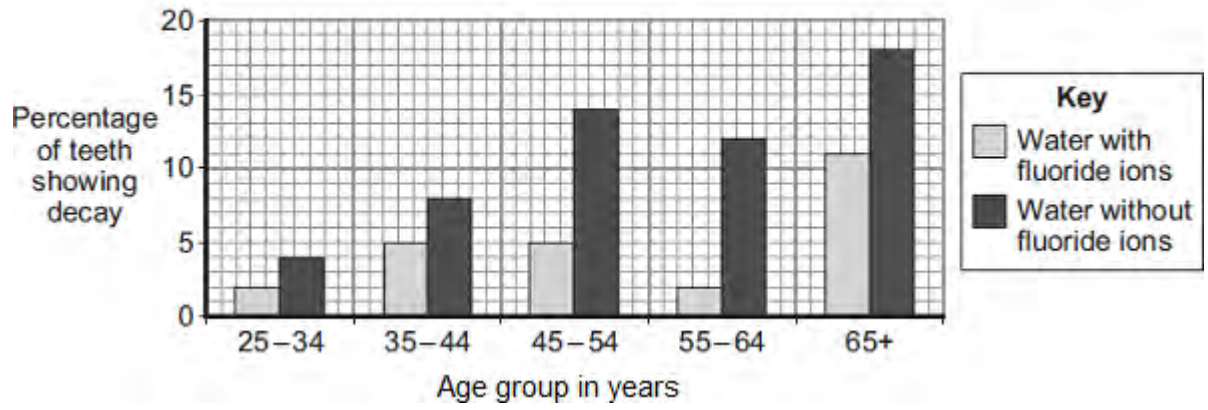
(d) *In this question you will be assessed on using good English, organising information clearly and using specialist terms where appropriate.*

Compounds containing fluoride ions are added to some drinking water supplies.

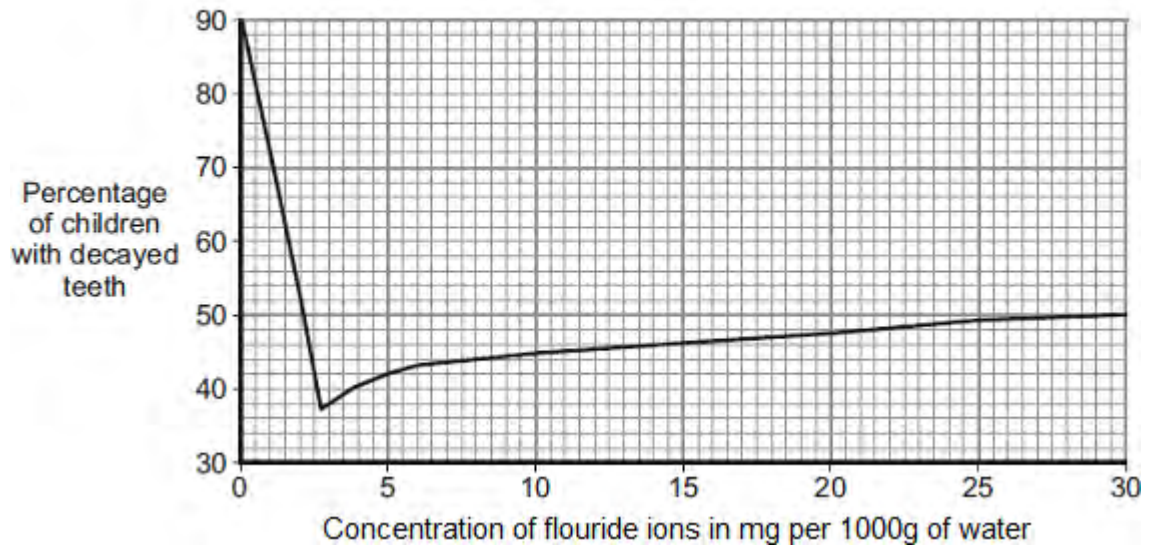
Many scientists have done research into the effects of fluoride ions in drinking water.

Graphs 1, 2 and 3 show some of the results obtained.

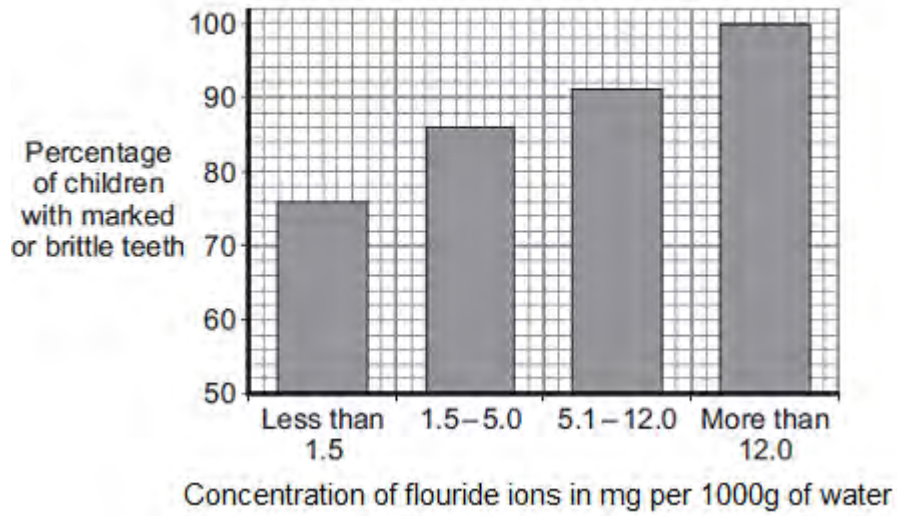
Graph 1



Graph 2



Graph 3



Evaluate the advantages and disadvantages of adding fluoride ions to drinking water.

You should support your answer with evidence from **all three** graphs.

.....

.....

.....

.....

.....

.....

.....

.....

.....

.....

.....

.....

.....

.....

.....

.....

.....

.....

.....

.....

.....

.....

.....

.....
.....

(6)
(Total 14 marks)

Q4.Metals are extracted from their ores.

Many copper ores contain only 2% of copper compounds.

- (a) Copper is now extracted from ores containing a low percentage of copper compounds.

Suggest **two** reasons why.

.....

.....

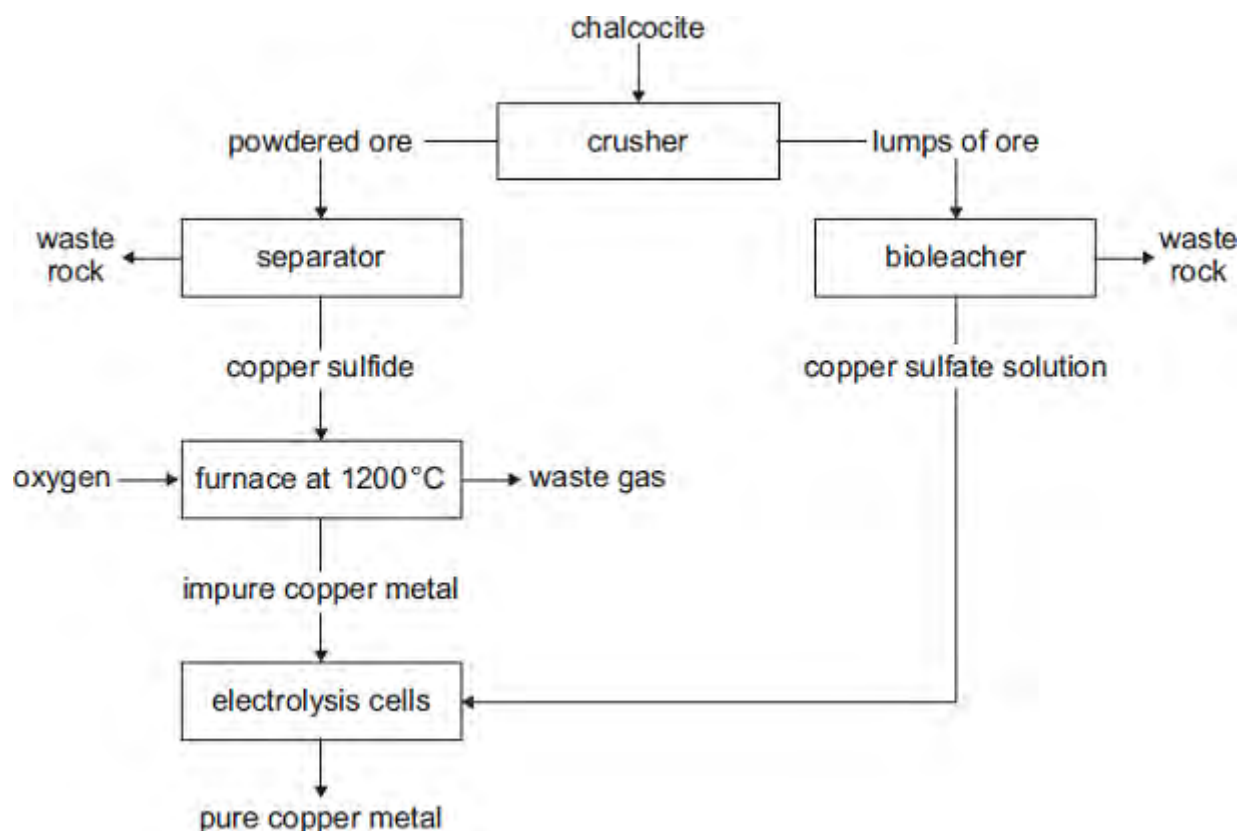
.....

.....

(2)

- (b) Chalcocite, an ore of copper, contains copper sulfide.

The flow diagram shows how copper metal is extracted from chalcocite.



- (i) Suggest **one** reason why it is difficult to dispose of the waste rock.

.....
.....

(1)

- (ii) The reaction in the furnace could cause environmental pollution.
Explain how.

.....
.....
.....
.....

(2)

- (iii) The extraction of pure copper is expensive.
Give **one** reason why.

.....
.....

(1)

- (iv) Pure copper is produced by electrolysis of copper sulfate solution.

Which electrode do the copper ions move towards?
Give a reason for your answer.

.....
.....
.....
.....

(2)

- (v) Large areas of land are contaminated with copper compounds.
Phytomining can be used to remove these copper compounds from the land.

What is used in phytomining to remove copper compounds from the land?

.....
.....

(1)
(Total 9 marks)

Q5. Good quality water is essential for life.

(a) In the United Kingdom, water is filtered and treated with chlorine to make it safe to drink.



Explain why the water is:

filtered

.....

treated with chlorine.

.....

(2)

(b) Millions of people in Bangladesh drink water from wells that contain high levels of arsenic. Arsenic is poisonous.

The World Health Organisation recommends that there should be no more than 0.01 mg of arsenic per litre in drinking water.

The table gives some information about two instrumental methods of testing for arsenic.

| Factor to consider | Laboratory Instrumental Method | Portable Instrumental Method |
|---|--------------------------------|------------------------------|
| Cost of equipment | £10 000 | £50 |
| Skill level of technician | Highly skilled | where test is done |
| Little training needed | Laboratory only | Anywhere |
| Time to prepare the instrument for the test | 5 minutes | 10 seconds |

| | | |
|--------------------------------------|---|--------------------------------------|
| Sensitivity of the instrument | 0.000001 mg of arsenic per litre of water | 0.1 mg of arsenic per litre of water |
|--------------------------------------|---|--------------------------------------|

- (i) Use the information in the table to give **two** advantages and **one** disadvantage of using the Portable Instrumental Method compared with the Laboratory Instrumental Method.

.....

.....

.....

.....

.....

.....

.....

.....

.....

.....

(3)

- (ii) The information about these two instrumental methods was provided by the Professional Institute of Water Engineers (PIWE). The Institute has no connection with the companies that make these instruments.

Suggest why many people would accept the views of PIWE rather than the views of the companies that make the instruments.

.....

.....

(1)

(Total 6 marks)

Q6. Read the following information and then answer the questions.

Chlorine – for better, for worse?



Chlorine is used to make bleaches, plastics and medicines. Swimming pool water is often treated with chlorine.

Chlorine is used to make water safe to drink. It is relatively cheap and easy to use. People who drink untreated water risk dying from typhoid and cholera.

However, chlorine is a poisonous chemical. It causes breathing difficulties and can kill people. Some people are also allergic to chlorine.

(a) How does chlorine make water safe to drink?

.....
.....

(1)

(b) The amount of chlorine in swimming pool water should be carefully monitored and controlled.

Explain why.

.....
.....
.....

.....

(2)

- (c) Developing countries are likely to choose chlorination as their method of making water safe to drink.

Suggest why.

.....

.....

.....

(1)

- (d) A government is setting up an enquiry into the safety of using chlorine.

- (i) Suggest why people from all political parties should be represented.

.....

.....

.....

(1)

- (ii) Suggest why the opinion of a well-respected scientist might change the outcome of any discussion.

.....

.....

.....

(1)

- (iii) The decision taken about the safety of using chlorine should be based on evidence and data rather than on hearsay and opinion.

Suggest why.

.....

.....

.....

(1)
(Total 7 marks)