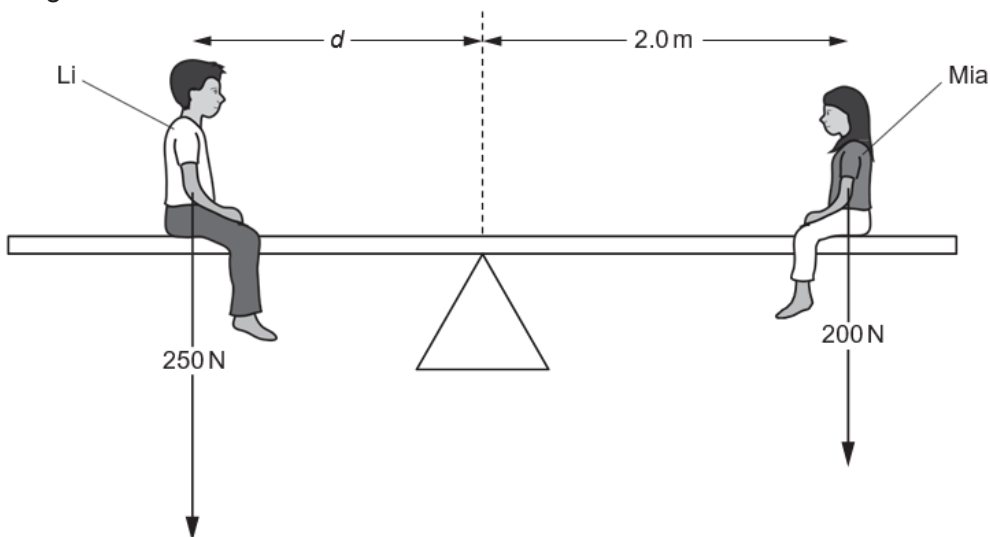


GCSE Physics B (Twenty First Century Science)
J259/01 Breadth in Physics (Foundation Tier)

Question Set 5

1 The figure shows Li and Mia balanced on a see-saw.



(a) Mia weighs 200 N.

Calculate the moment of Mia's weight about the centre of the see-saw.

Moment = N m

[3]

(b) Li weighs 250 N.

To balance Mia as shown in the diagram, he needs to sit at a distance d from the centre of the see-saw.

Calculate the distance d .

Distance d = m

[3]

Total Marks for Question Set 5: 6

OCR

Oxford Cambridge and RSA

Copyright Information

OCR is committed to seeking permission to reproduce all third-party content that it uses in its assessment materials. OCR has attempted to identify and contact all copyright holders whose work is used in this paper. To avoid the issue of disclosure of answer-related information to candidates, all copyright acknowledgements are reproduced in the OCR Copyright Acknowledgements Booklet. This is produced for each series of examinations and is freely available to download from our public website (www.ocr.org.uk) after the live examination series.

If OCR has unwittingly failed to correctly acknowledge or clear any third-party content in this assessment material, OCR will be happy to correct its mistake at the earliest possible opportunity.

For queries or further information please contact The OCR Copyright Team, The Triangle Building, Shaftesbury Road, Cambridge CB2 8EA.

OCR is part of the Cambridge Assessment Group; Cambridge Assessment is the brand name of University of Cambridge Local Examinations Syndicate (UCLES), which is itself a department of the University of Cambridge