

GCSE Physics A (Gateway)

J249/02 Physics A P5-P8 and P9 (Foundation Tier)

Question Set 9

1

A student investigates how the thickness of insulation affects the cooling of a cup of tea.

Fig. 1.1 is a diagram of her apparatus.

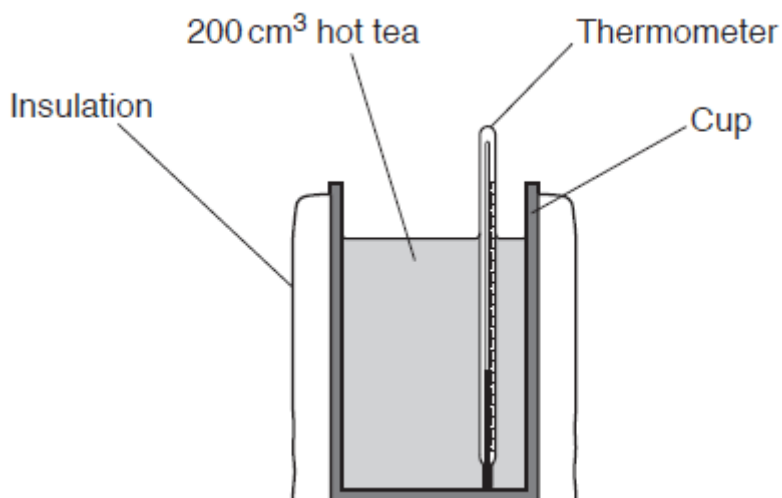


Fig. 1.1

The student wraps a layer of insulation around a cup containing 200 cm³ of hot tea.

She measures the temperature of the tea at the start of the experiment and after 10 minutes.

She repeats the experiment with different thicknesses of the insulation.

Table 1.1 shows her results.

Thickness of the insulation (mm)	Temperature of tea (°C)		
	Start	End	Difference
2	90	65	25
4	88	66	22
6	91	72	19
8	89	73	16
10	98	84	14
12	100	60	

Table 1.1

- (a) (i) Calculate the temperature **difference** when the thickness of insulation is 12 mm.

Temperature difference = °C

[1]

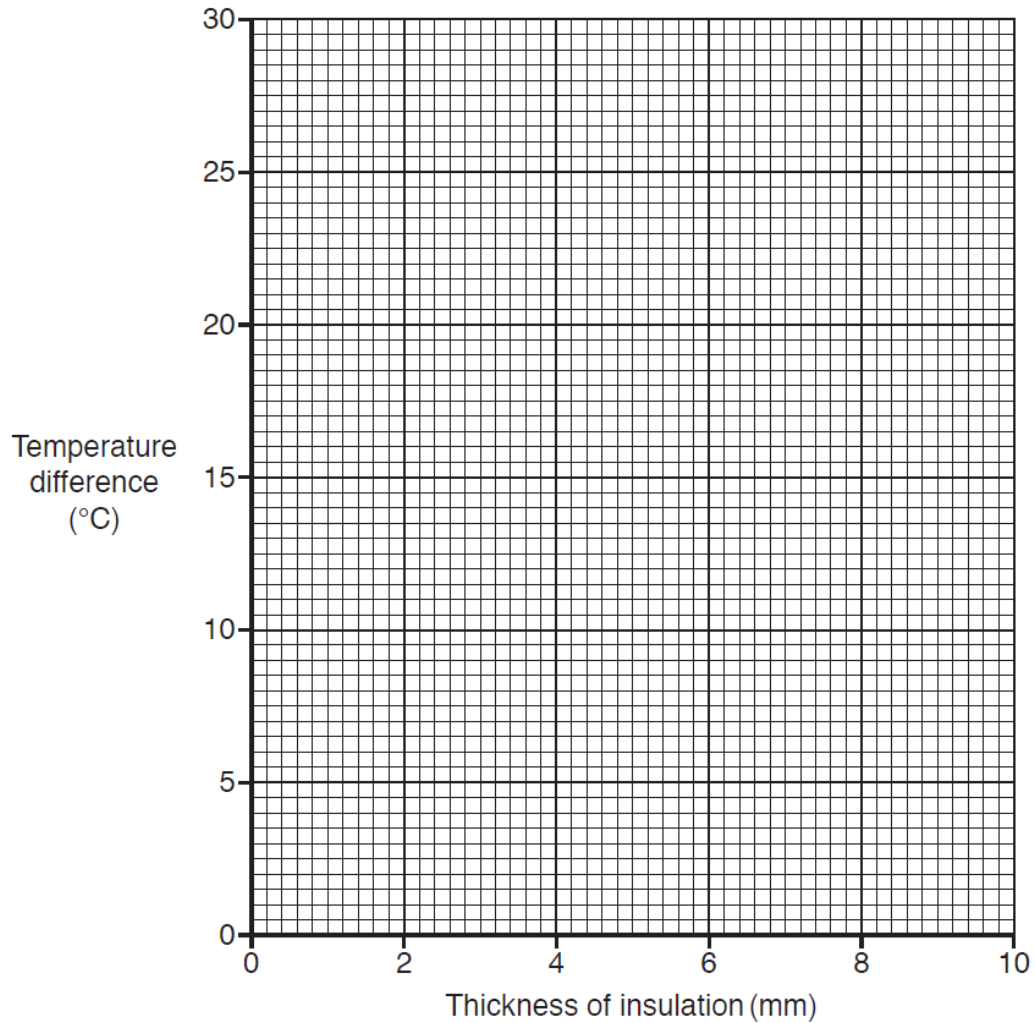
(ii) The result when the thickness of the insulation is 12 mm is anomalous.

Suggest a reason why this result appears to be anomalous.

[1]

(b) Plot a graph of the results in **Table 1.1** and draw a line of best fit.

Ignore the anomalous result for 12 mm.



[2]

(c) Describe how the temperature difference is affected as the thickness of the insulation increases.

[1]

(d) Suggest how the thickness of the insulation affects the rate of cooling of the tea.

[1]

(e) This experiment could be improved.

Describe two different ways of improving the experiment.

[2]

Total Marks for Question Set 9: 8

OCR

Oxford Cambridge and RSA

Copyright Information

OCR is committed to seeking permission to reproduce all third-party content that it uses in its assessment materials. OCR has attempted to identify and contact all copyright holders whose work is used in this paper. To avoid the issue of disclosure of answer-related information to candidates, all copyright acknowledgements are reproduced in the OCR Copyright Acknowledgements Booklet. This is produced for each series of examinations and is freely available to download from our public website (www.ocr.org.uk) after the live examination series.

If OCR has unwittingly failed to correctly acknowledge or clear any third-party content in this assessment material, OCR will be happy to correct its mistake at the earliest possible opportunity.

For queries or further information please contact The OCR Copyright Team, The Triangle Building, Shaftesbury Road, Cambridge CB2 8EA.

OCR is part of the Cambridge Assessment Group; Cambridge Assessment is the brand name of University of Cambridge Local Examinations Syndicate (UCLES), which is itself a department of the University of Cambridge