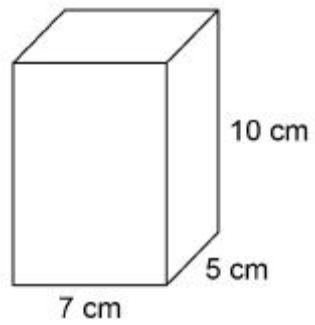


GCSE
MATHEMATICS (8300)
FOUNDATION
Geometry

Total number of marks: 31 per optional item

Q14

Here is a cuboid.



Work out the volume.

Answer _____ cm³

(Total 2 marks)

Q1

Here is a rectangle.



Not drawn
accurately

Work out the perimeter.

Circle your answer.

12 cm

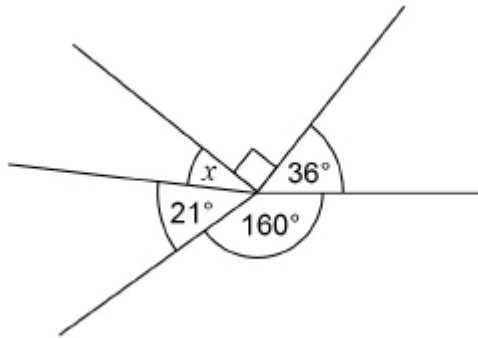
24 cm

35 cm

70 cm

(Total 1 mark)

Q13

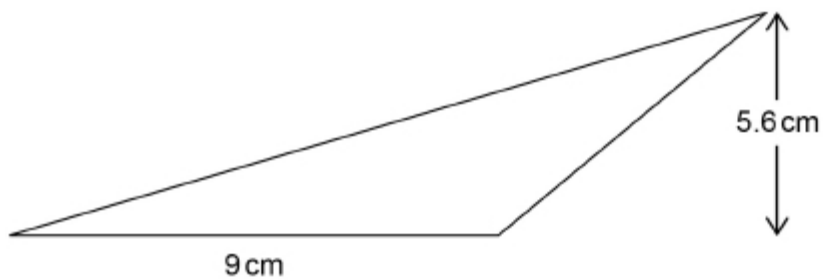
Not drawn
accuratelyWork out the size of angle x .

Answer _____ degrees

(Total 2 marks)

Q14

A triangle has base 9 cm and perpendicular height 5.6 cm

Not drawn
accurately

Work out the area of the triangle.

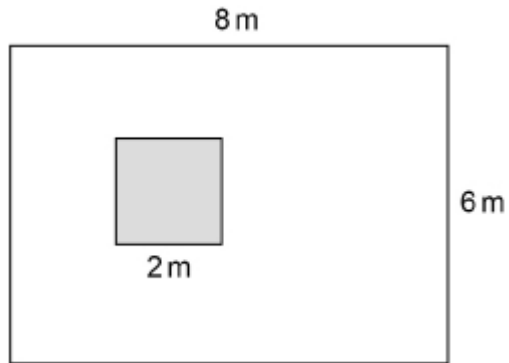
Answer _____ cm^2

(Total 2 marks)

Q7

A rectangular carpet measures 8 m by 6 m.

Part of the carpet is covered by a square rug of length 2 m



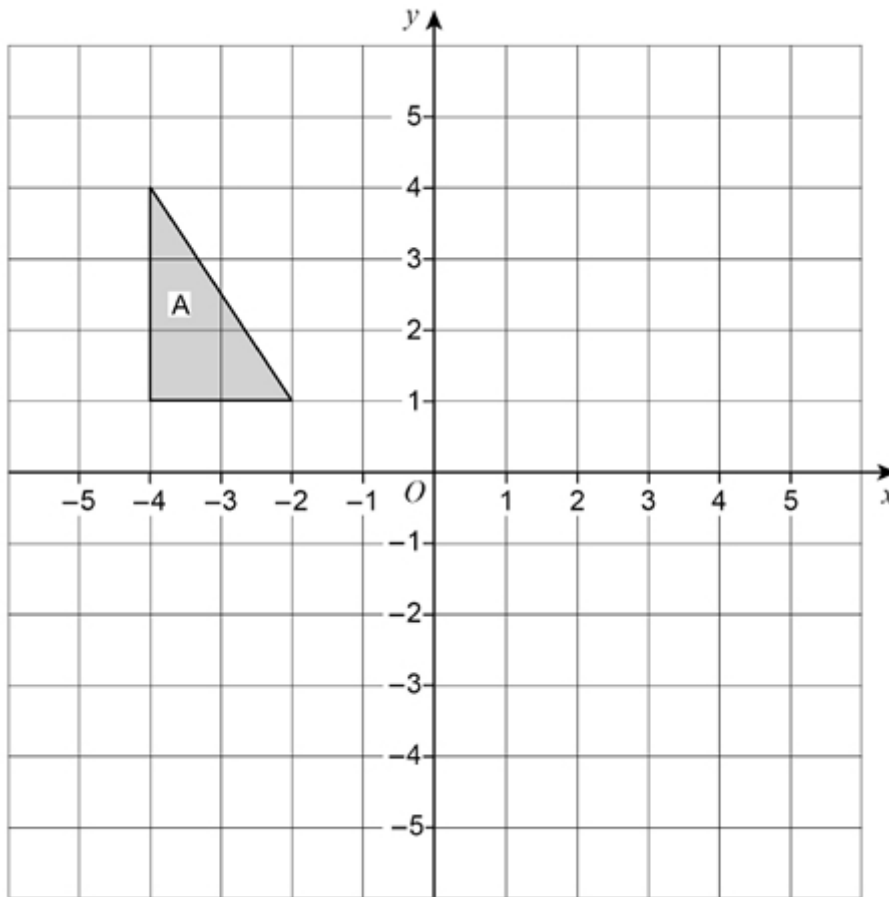
Not drawn
accurately

Show that $\frac{1}{12}$ of the carpet is covered by the rug.

(Total 2 marks)

Q12

Reflect shape A in the x-axis.



(Total 2 marks)

Q21a

- (a) A circle has radius 4.2 cm

Work out the length of the circumference.

Give your answer to 1 decimal place.

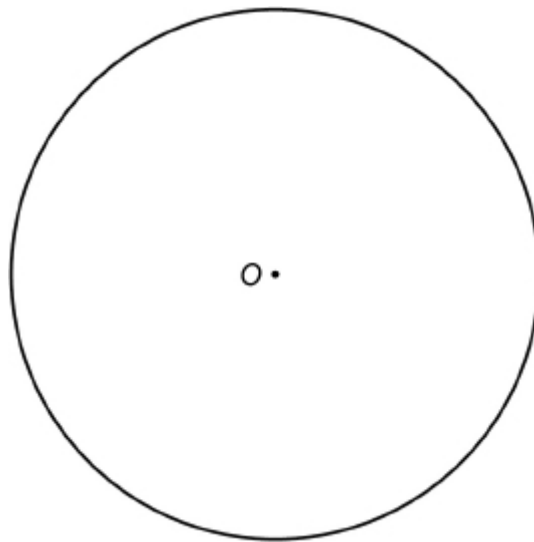
Answer _____ cm

(Total 3 marks)

Q21b

- (b) The circle below has centre O .

Draw a sector on the circle.



(Total 1 mark)

Q14a

The front elevation, side elevation and plan of a solid are all the same, as shown.

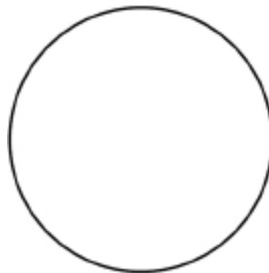


- (a) Write down the name of the solid.

(Total 1 mark)

Q14b

- (b) The front elevation, side elevation and plan of a solid are all the same, as shown.



Write down the name of the solid.

(Total 1 mark)

Q16

Which shape **must** have rotational symmetry?

Circle your answer.

isosceles triangle

trapezium

kite

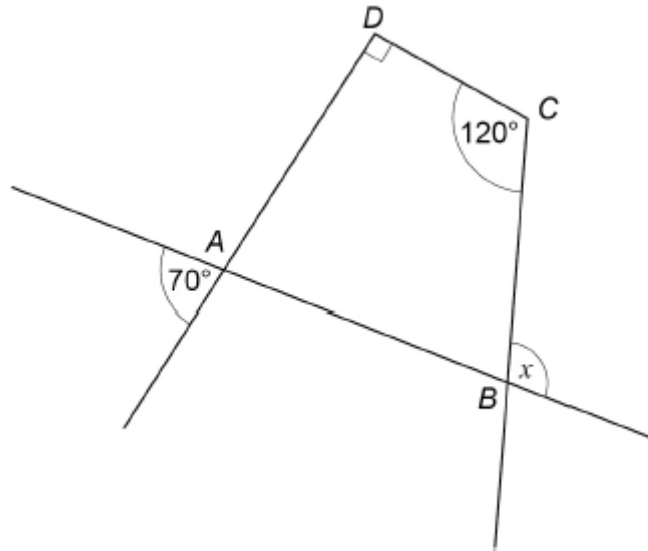
parallelogram

(Total 1 mark)

Q18

$ABCD$ is a quadrilateral.

Sides are extended as shown.



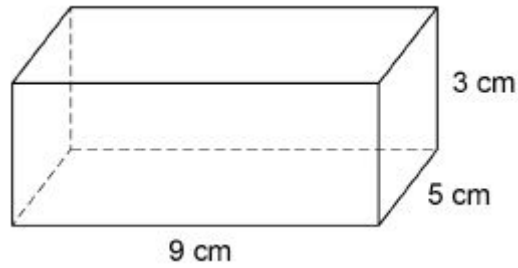
Not drawn
accurately

Show that $x = 100^\circ$

(Total 3 marks)

Q22

Here is a cuboid.



The two **largest** faces are blue.

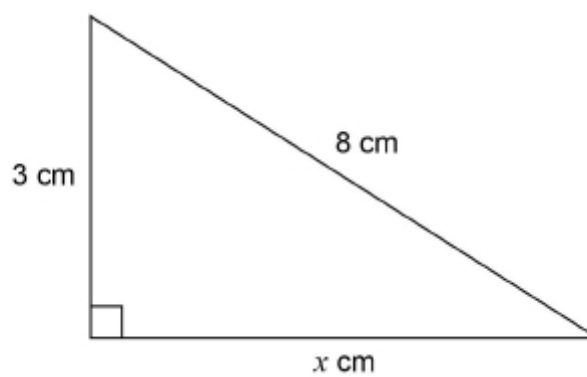
The other four faces are green.

Is the total blue area greater than the total green area?

You **must** show your working.

(Total 3 marks)

Q22



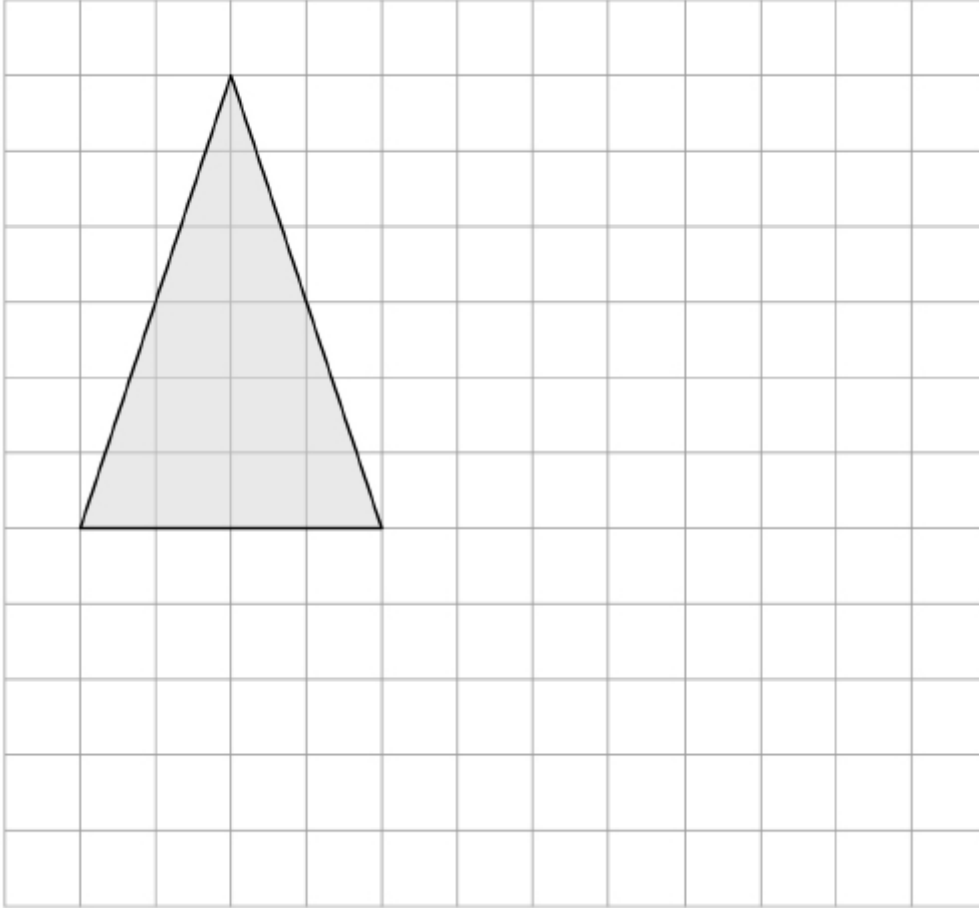
Not drawn
accurately

Work out the value of x as a decimal.

(Total 3 marks)

Q18

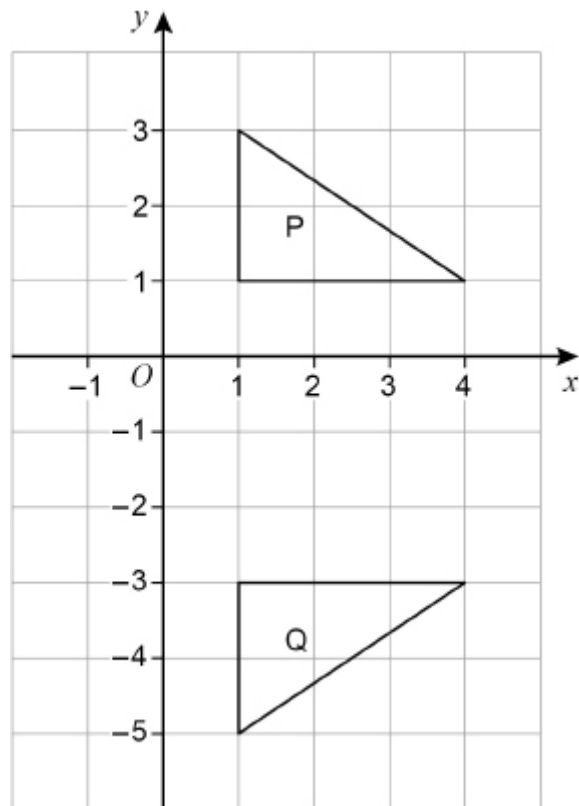
On the grid, draw an enlargement of the triangle with scale factor $\frac{1}{2}$



(Total 2 marks)

Q24a

- (a) Here are two triangles, P and Q.



Here is a statement.

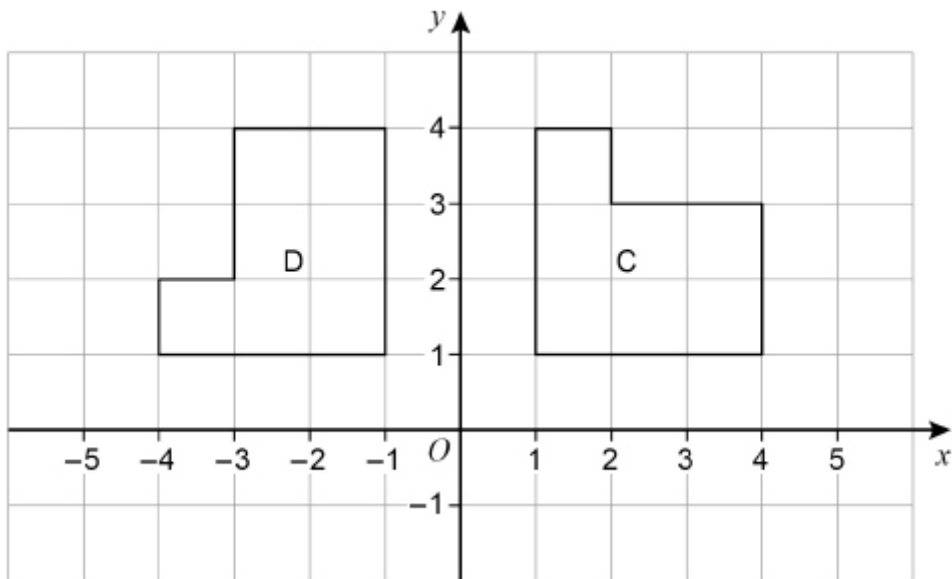
A transformation that maps P to Q is a reflection in the line $x = -1$

Make **one** criticism of the statement.

(Total 1 mark)

Q24b

(b) Here are two shapes, C and D.



Here is a statement.

A transformation that maps C to D is a rotation through 90° anticlockwise.

Make **one** criticism of the statement.

(Total 1 mark)